

2019 PARTS CATALOG



BFT 115A Model

OB NO.002-14ZX1-0AK 1812 US

BACKS
YOU
UP™

TOHATSU CORPORATION

Instruction for use of parts catalogue

- **This parts catalogue was prepared based on the latest information available as of December 1, 2018.**
- See the Service Bulletin for any revision that is made after December 1, 2018.
- **Always specify the part number when ordering a part.**
 - Check the model, type, serial numbers, color, maker, and the size as needed before ordering a part.
 - Note that the illustrations (part drawings) can differ from the actual parts in shape.
Illustrations are given just to help you to refer to the parts.
- **When modifications or additions to this parts catalogue are made, a revised edition will be issued at an appropriate time, with successively progressing revision numbers on the cover. We recommend obtaining such revisions in order to keep your parts catalogue up-to-date at all times.**

Initial version issue date December 1, 2018

CONTENTS

E-1	CYLINDER HEAD COVER	1
E-3	CYLINDER BLOCK	3
E-4	EXHAUST PIPE	7
E-4-10	WATER HOSE	9
E-5	OIL PUMP/FLYWHEEL	11
E-6	OIL PAN	13
E-7	CRANKSHAFT/PISTON	15
E-9	CAMSHAFT/VALVE	19
E-9-10	CHAIN CASE/THARMOSTAT	23
E-9-20	CYLINDER HEAD	27
E-10	BALANCER SHAFT	31
E-13	A.C.G BELT/SILENCER DUCT	33
E-14	INTAKE MANIFOLD/INJECTOR	35
E-15	THROTTLE BODY	39
E-18	FUEL PUMP/FUEL HOSE	41
E-18-1	WATER SEPARATOR	45
E-18-10	VAPOR SEPARATOR ASSY	47
E-19	A.C.GENERATOR	51
E-20	IGNITION COIL/SPARK PLUG	55
E-20-10	ELECTRONIC CONTROL UNIT	57
E-21	STARTER MOTOR	59
F-2	SHIFT SHAFT	63
F-3	GEAR CASE	67
F-3-10	GEAR CASE ASSY	69
F-3-20	EXTENSION CASE	71
F-4	WATER PUMP/VERTICAL SHAFT	73
F-5	PROPELLER SHAFT/PROPELLER (LA/XA)	77
F-5-1	PROPELLER SHAFT/PROPELLER (XCA)	81
F-6	FUEL TUBE	85
F-7	WIRE HARNESS	87
F-7-10	STARTER CABLE	89
F-7-20	FUSE BOX/RELAY	91
F-7-30	CLAMP	93
F-8	ENGINE COVER ASSY	95
F-8-10	FR.COVER BRACKET/FR.LOCK	97
F-8-20	UNDER COVER	101
F-9	MOUNT CASE	103
F-10	STERN BRACKET/SWIVEL CASE	107
F-11	POWER TRIM-TILT	113
F-12	LABELS	119
F-13	TOOLS	121
FOP-1	RIGGGING HOSE KIT	123
FOP-2	METER	125
FOP-6	CONTROL PANEL (1)	127
FOP-6-1	CONTROL PANEL (2)	129
FOP-6-2	CONTROL PANEL (3)	131
FOP-6-3	CONTROL PANEL (4)	133
FOP-6-4	CONTROL PANEL (5)	135
FOP-7	TRIM ADJUST PLATE SET	137
FOP-8	REMOTE CONTROL (TOP MOUNT SINGLE TYPE) (RIGHT)	139
FOP-8-2	REMOTE CONTROL (TOP MOUNT DUAL TYPE) (RIGHT)	143
FOP-8-4	REMOTE CONTROL (FLUSH MOUNT TYPE) (RIGHT)	147
FOP-8-6	REMOTE CONTROL	151
FOP-9	BOLT KIT	157
FOP-10	WATER PUMP IMPELLER KIT (1)	159
FOP-10-1	WATER PUMP IMPELLER KIT (2)	161
FOP-11	INTERFACE CABLE KIT	163
FOP-12	TROLLING CONTROL SWITCH	165
FOP-13	SPEED SENSOR TUBE KIT	167
INDEX		169
INDEX (Parts Number)		175

How to refer to the part information

A. Reference with "Illustrated index"

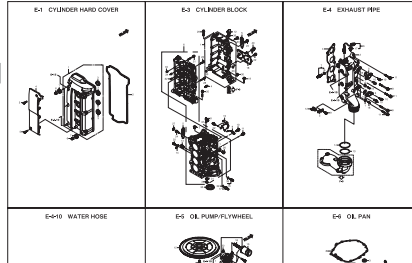
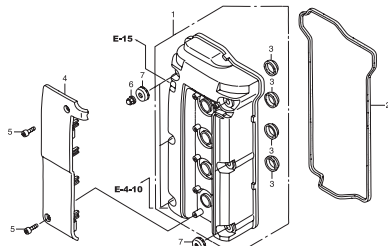


Fig. Number

Ref. Number/Part Number/Parts Name

E-1 CYLINDER HARD COVER

Ref.No.	Part No.	Description	Q'ty REF.ILLU	Remarks
E-1	HCYH-1210H-002A	COVER COMP. CYLINDER HEAD	1	FINISH OILY GRAY
E-1	HPLM-123H-000	PACKING CYLINDER HEAD COVER	1	
E-1	HPCX-123D-004	SEAL SPARK PLUG TUBE(NG)	4	
E-1	HCVH-1250-000	COVER COMP. PLUG HOSE COIL	1	
E-1	HCVH-060H-000	BOLT SOCKET 4X15	2	
E-1	HCVH-0021-000	NUT FLANGE CAP 6MM	6	
E-1	HCVH-0041-000	WASHER HEAD COVER	6	



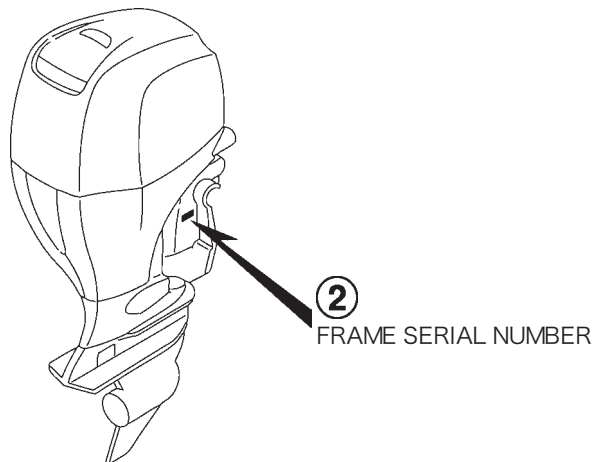
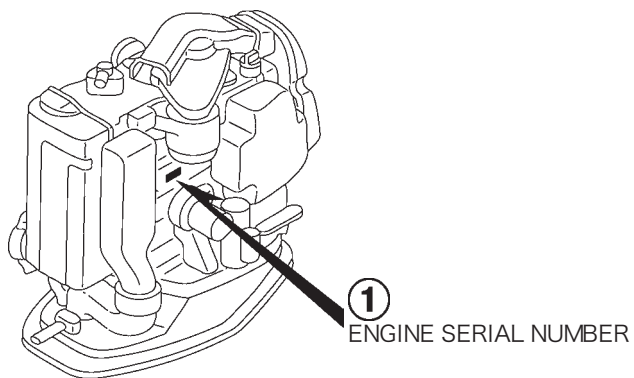
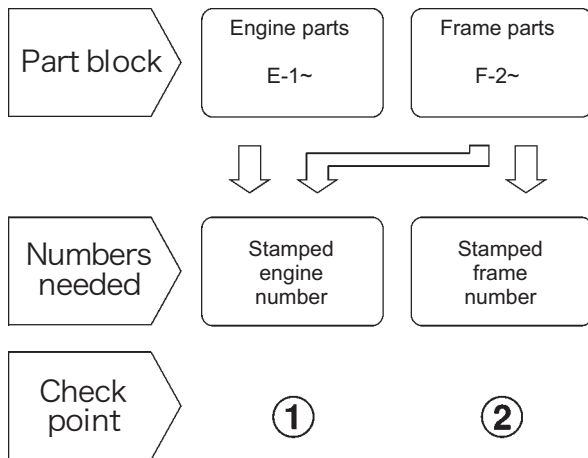
B. Reference with "Parts number index"

INDEX (Parts Number)			
110211342	13415	34640834	1174203
39041134	97	34641134	1174206
39041134	320	34641214	118121
39041134	313	34641341	118124
39041134	317	3464134	118128
39041134	318	34641341	118131
39041134	319	34641341	118134
39041134	321	34641341	118137
39041134	322	34641341	118140
39041134	323	34641341	118143
39041134	324	34641341	118146
39041134	325	34641341	118149
39041134	326	34641341	118152
39041134	327	34641341	118155
39041134	328	34641341	118158
39041134	329	34641341	118161
39041134	330	34641341	118164
39041134	331	34641341	118167
39041134	332	34641341	118170
39041134	333	34641341	118173
39041134	334	34641341	118176
39041134	335	34641341	118179
39041134	336	34641341	118182
39041134	337	34641341	118185
39041134	338	34641341	118188
39041134	339	34641341	118191
39041134	340	34641341	118194
39041134	341	34641341	118197
39041134	342	34641341	118200
39041134	343	34641341	118203
39041134	344	34641341	118206
39041134	345	34641341	118209
39041134	346	34641341	118212
39041134	347	34641341	118215
39041134	348	34641341	118218
39041134	349	34641341	118221
39041134	350	34641341	118224
39041134	351	34641341	118227
39041134	352	34641341	118230
39041134	353	34641341	118233

C. Reference with "Parts name index"

INDEX	
ADJUST SCREW	2420
ADJUST SCREW	34
ADJUSTING SCREW	1512
ADJUSTING SCREW	1513
ADJUSTING SCREW	1514
ADJUSTING SCREW	1515
ADJUSTING SCREW	1516
ADJUSTING SCREW	1517
ADJUSTING SCREW	1518
ADJUSTING SCREW	1519
ADJUSTING SCREW	1520
ADJUSTING SCREW	1521
ADJUSTING SCREW	1522
ADJUSTING SCREW	1523
ADJUSTING SCREW	1524
ADJUSTING SCREW	1525
ADJUSTING SCREW	1526
ADJUSTING SCREW	1527
ADJUSTING SCREW	1528
ADJUSTING SCREW	1529
ADJUSTING SCREW	1530
ADJUSTING SCREW	1531
ADJUSTING SCREW	1532
ADJUSTING SCREW	1533
ADJUSTING SCREW	1534
ADJUSTING SCREW	1535
ADJUSTING SCREW	1536
ADJUSTING SCREW	1537
ADJUSTING SCREW	1538
ADJUSTING SCREW	1539
ADJUSTING SCREW	1540
ADJUSTING SCREW	1541
ADJUSTING SCREW	1542
ADJUSTING SCREW	1543
ADJUSTING SCREW	1544
ADJUSTING SCREW	1545
ADJUSTING SCREW	1546
ADJUSTING SCREW	1547
ADJUSTING SCREW	1548
ADJUSTING SCREW	1549
ADJUSTING SCREW	1550
ADJUSTING SCREW	1551
ADJUSTING SCREW	1552
ADJUSTING SCREW	1553
ADJUSTING SCREW	1554
ADJUSTING SCREW	1555
ADJUSTING SCREW	1556
ADJUSTING SCREW	1557
ADJUSTING SCREW	1558
ADJUSTING SCREW	1559
ADJUSTING SCREW	1560
ADJUSTING SCREW	1561
ADJUSTING SCREW	1562
ADJUSTING SCREW	1563
ADJUSTING SCREW	1564
ADJUSTING SCREW	1565
ADJUSTING SCREW	1566
ADJUSTING SCREW	1567
ADJUSTING SCREW	1568
ADJUSTING SCREW	1569
ADJUSTING SCREW	1570
ADJUSTING SCREW	1571
ADJUSTING SCREW	1572
ADJUSTING SCREW	1573
ADJUSTING SCREW	1574
ADJUSTING SCREW	1575
ADJUSTING SCREW	1576
ADJUSTING SCREW	1577
ADJUSTING SCREW	1578
ADJUSTING SCREW	1579
ADJUSTING SCREW	1580
ADJUSTING SCREW	1581
ADJUSTING SCREW	1582
ADJUSTING SCREW	1583
ADJUSTING SCREW	1584
ADJUSTING SCREW	1585
ADJUSTING SCREW	1586
ADJUSTING SCREW	1587
ADJUSTING SCREW	1588
ADJUSTING SCREW	1589
ADJUSTING SCREW	1590
ADJUSTING SCREW	1591
ADJUSTING SCREW	1592
ADJUSTING SCREW	1593
ADJUSTING SCREW	1594
ADJUSTING SCREW	1595
ADJUSTING SCREW	1596
ADJUSTING SCREW	1597
ADJUSTING SCREW	1598
ADJUSTING SCREW	1599
ADJUSTING SCREW	1600
ADJUSTING SCREW	1601
ADJUSTING SCREW	1602
ADJUSTING SCREW	1603
ADJUSTING SCREW	1604
ADJUSTING SCREW	1605
ADJUSTING SCREW	1606
ADJUSTING SCREW	1607
ADJUSTING SCREW	1608
ADJUSTING SCREW	1609
ADJUSTING SCREW	1610
ADJUSTING SCREW	1611
ADJUSTING SCREW	1612
ADJUSTING SCREW	1613
ADJUSTING SCREW	1614
ADJUSTING SCREW	1615
ADJUSTING SCREW	1616
ADJUSTING SCREW	1617
ADJUSTING SCREW	1618
ADJUSTING SCREW	1619
ADJUSTING SCREW	1620
ADJUSTING SCREW	1621
ADJUSTING SCREW	1622
ADJUSTING SCREW	1623
ADJUSTING SCREW	1624
ADJUSTING SCREW	1625
ADJUSTING SCREW	1626
ADJUSTING SCREW	1627
ADJUSTING SCREW	1628
ADJUSTING SCREW	1629
ADJUSTING SCREW	1630
ADJUSTING SCREW	1631
ADJUSTING SCREW	1632
ADJUSTING SCREW	1633
ADJUSTING SCREW	1634
ADJUSTING SCREW	1635
ADJUSTING SCREW	1636
ADJUSTING SCREW	1637
ADJUSTING SCREW	1638
ADJUSTING SCREW	1639
ADJUSTING SCREW	1640
ADJUSTING SCREW	1641
ADJUSTING SCREW	1642
ADJUSTING SCREW	1643
ADJUSTING SCREW	1644
ADJUSTING SCREW	1645
ADJUSTING SCREW	1646
ADJUSTING SCREW	1647
ADJUSTING SCREW	1648
ADJUSTING SCREW	1649
ADJUSTING SCREW	1650
ADJUSTING SCREW	1651
ADJUSTING SCREW	1652
ADJUSTING SCREW	1653
ADJUSTING SCREW	1654
ADJUSTING SCREW	1655
ADJUSTING SCREW	1656
ADJUSTING SCREW	1657
ADJUSTING SCREW	1658
ADJUSTING SCREW	1659
ADJUSTING SCREW	1660
ADJUSTING SCREW	1661
ADJUSTING SCREW	1662
ADJUSTING SCREW	1663
ADJUSTING SCREW	1664
ADJUSTING SCREW	1665
ADJUSTING SCREW	1666
ADJUSTING SCREW	1667
ADJUSTING SCREW	1668
ADJUSTING SCREW	1669
ADJUSTING SCREW	1670
ADJUSTING SCREW	1671
ADJUSTING SCREW	1672
ADJUSTING SCREW	1673
ADJUSTING SCREW	1674
ADJUSTING SCREW	1675
ADJUSTING SCREW	1676
ADJUSTING SCREW	1677
ADJUSTING SCREW	1678
ADJUSTING SCREW	1679
ADJUSTING SCREW	1680
ADJUSTING SCREW	1681
ADJUSTING SCREW	1682
ADJUSTING SCREW	1683
ADJUSTING SCREW	1684
ADJUSTING SCREW	1685
ADJUSTING SCREW	1686
ADJUSTING SCREW	1687
ADJUSTING SCREW	1688
ADJUSTING SCREW	1689
ADJUSTING SCREW	1690
ADJUSTING SCREW	1691
ADJUSTING SCREW	1692
ADJUSTING SCREW	1693
ADJUSTING SCREW	1694
ADJUSTING SCREW	1695
ADJUSTING SCREW	1696
ADJUSTING SCREW	1697
ADJUSTING SCREW	1698
ADJUSTING SCREW	1699
ADJUSTING SCREW	1700

How to check the part block and serial numbers



Models, parts catalogue codes and applicable serial numbers

- Models, parts catalogue codes and applicable serial Nos. given in this parts catalogue can be identified as follows.

Model	Type	Parts catalogue type	Engine		Applicable engine serial No.	Applicable frame serial No.
			Model	Type		
BFT 115A	LA	LA	BFT 115D	SE1	BEBHJ-1000001~	BBHJ-6000079~
	XA	XA				
	XCA	XCA				BBHJ-7000001~

Features of each type

- See the following table for the features of each type. (Items in brackets are optional)

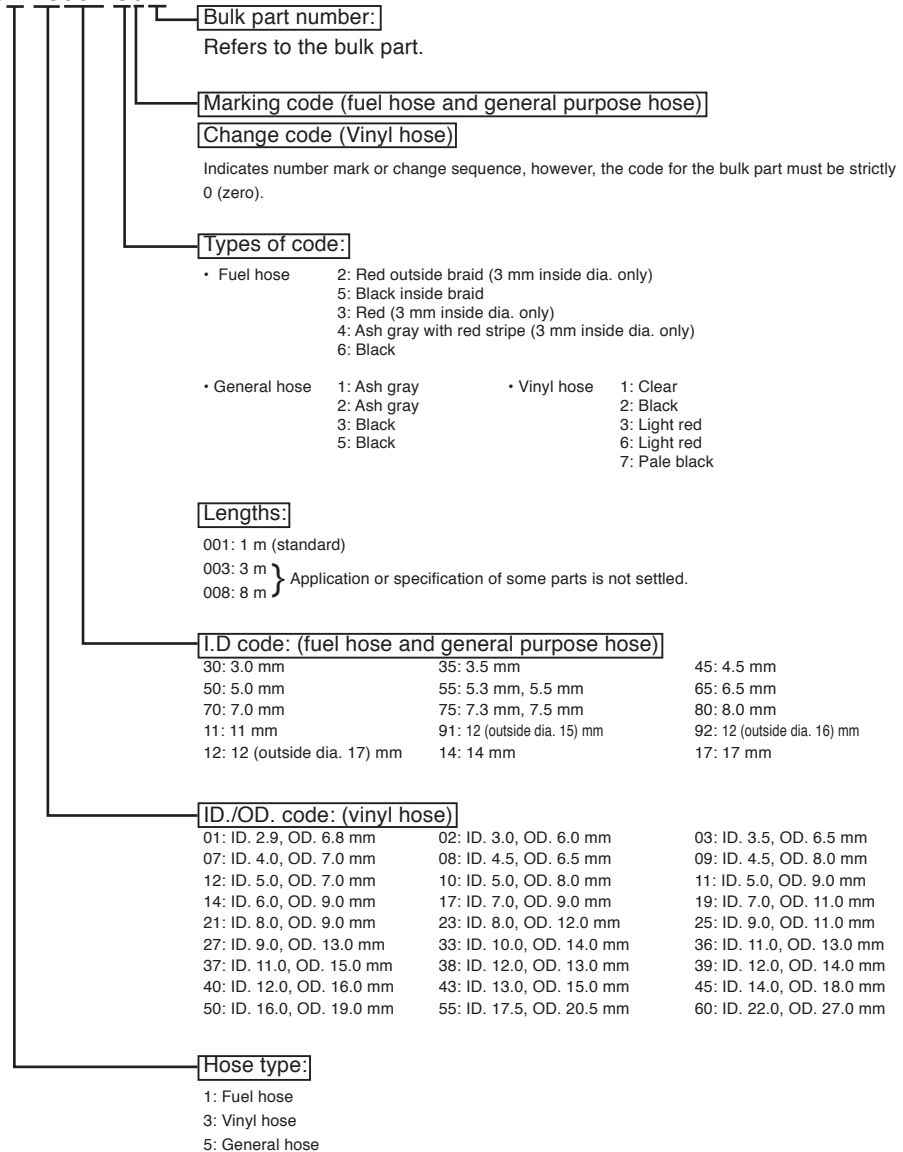
Specifications		Model	BFT 115A		
		Type	LA	XA	XCA
Transom height	508 mm		●		
	635 mm			●	●
Counter rotation					●
Propeller	14-1/2 x 15		(●)	(●)	(●)
	14-1/4 x 17		(●)	(●)	(●)
	14 x 19		(●)	(●)	(●)
	14 x 21		(●)	(●)	(●)
	14-1/2 x 23		(●)	(●)	(●)
	14 x 25		(●)	(●)	
	15-1/2 x 13		(●)	(●)	
	15-1/4 x 15		(●)	(●)	
	15 x 17		(●)	(●)	
	14-3/4 x 19		(●)	(●)	
	14-1/2 x 21		(●)	(●)	
	14-1/4 x 23		(●)	(●)	

Fuel hose, general purpose hoses and vinyl hose

- The standard part fuel hose, general purpose hose and vinyl hose may be substituted by the coiled bulk part.
- When ordering the standard part fuel hose, general purpose hose and vinyl hose use the bulk part number written in the parts catalog in brackets () underneath the part name.
- When exchanging the hose, cut and use at the specified length as mentioned in the part name. (For the method of cutting the bulk part, and method of filling out orders etc., please refer to the instructions issued with the bulk part.)

Bulk part number of fuel hose, general purpose hose and vinyl hose.

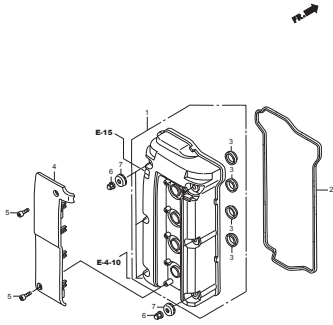
Example: 95001-75001-50M



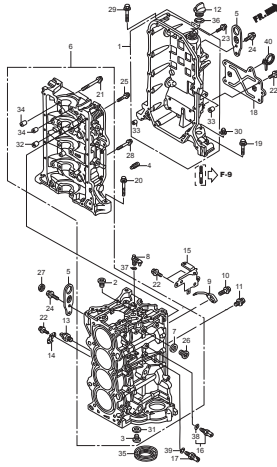
CAUTION: It is DANGEROUS to confuse the fuel hose with the general purpose hose or vinyl hose.

Never use a general purpose hose or vinyl hose in place of a fuel hose or vice versa. Always use the correct bulk part in the parts catalogue, according to the service manual or the instructions issued with the bulk part.

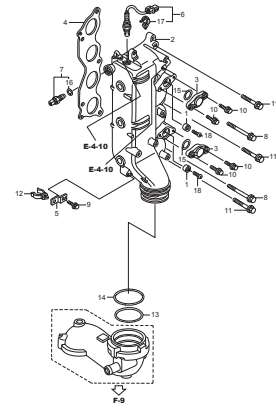
E-1 CYLINDER HEAD COVER



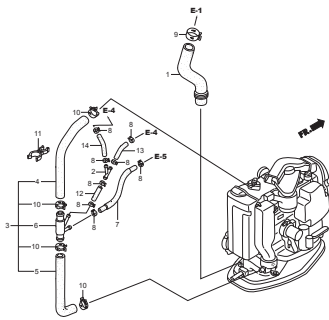
E-3 CYLINDER BLOCK



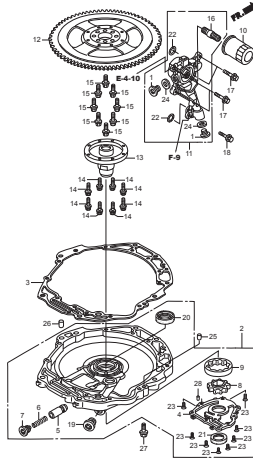
E-4 EXHAUST PIPE



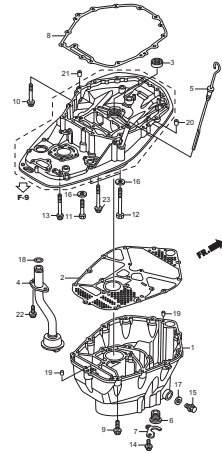
E-4-10 WATER HOSE



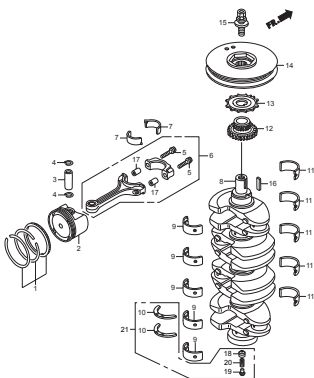
E-5 OIL PUMP/FLYWHEEL



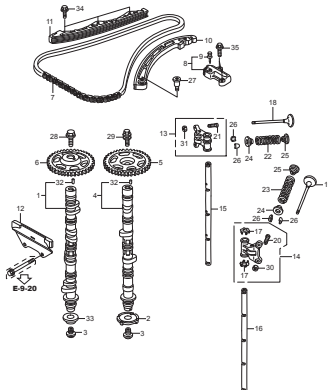
E-6 OIL PAN



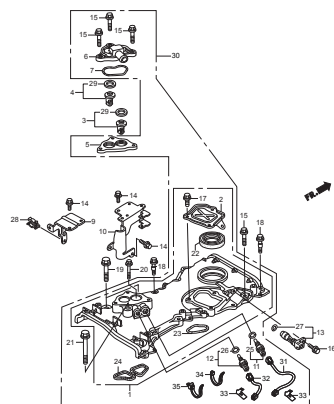
E-7 CRANKSHAFT/PISTON



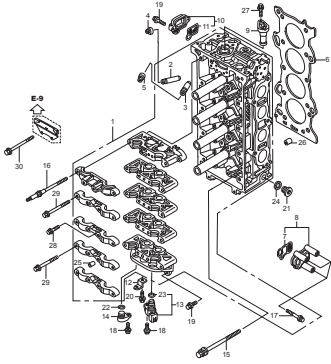
E-9 CAMSHAFT/VALVE



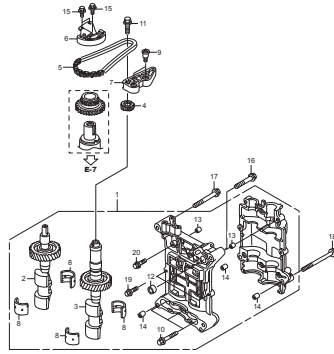
E-9-10 CHAIN CASE/THERMOSTAT



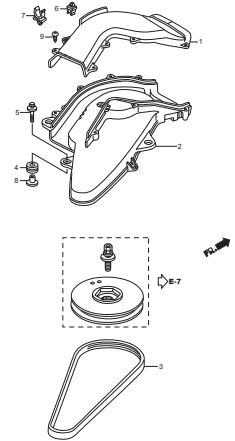
E-9-20 CYLINDER HEAD



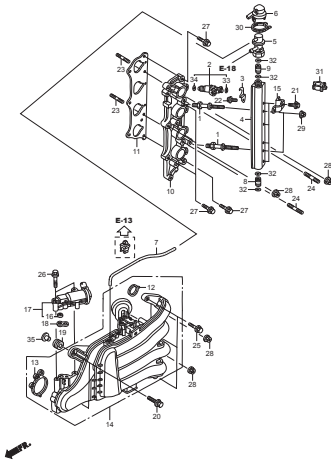
E-10 BALANCER SHAFT



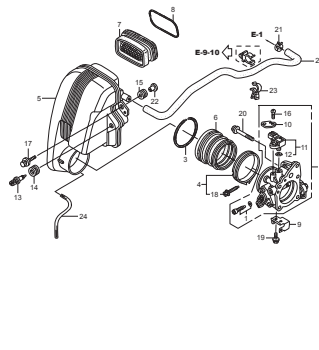
E-13 A.C.G BELT/SILENCER DUCT



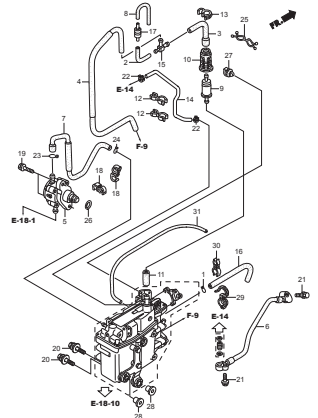
E-14 INTAKE MANIFOLD/INJECTOR



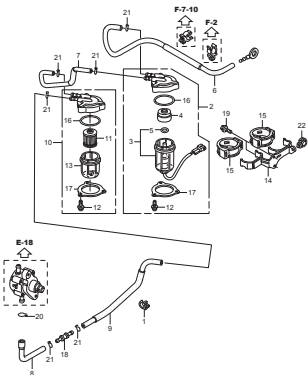
E-15 THROTTLE BODY



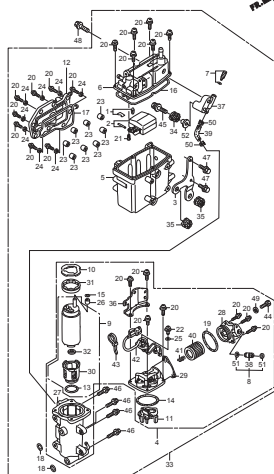
E-18 FUEL PUMP/FUEL HOSE



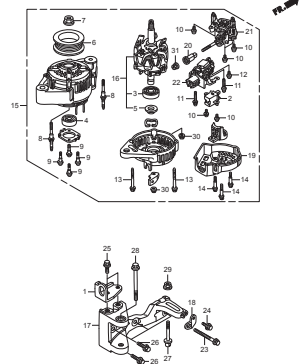
E-18-1 WATER SEPARATOR



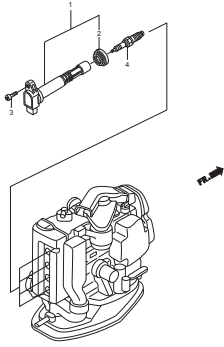
E-18-10 VAPOR SEPARATOR ASSY



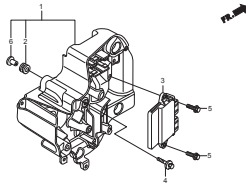
E-19 A.C.GENERATOR



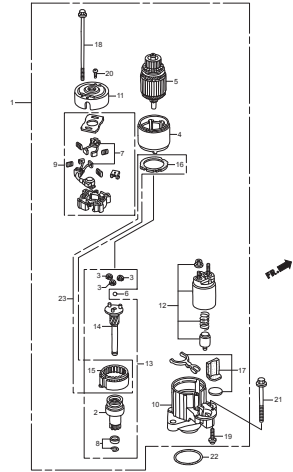
E-20 IGNITION COIL/SPARK PLUG



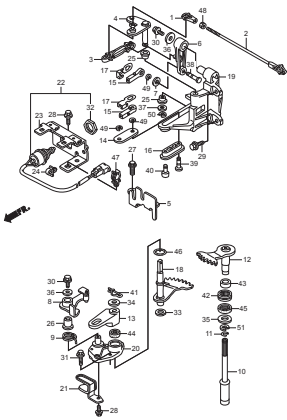
E-20-10 ELECTRONIC CONTROL UNIT



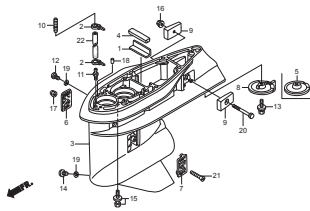
E-21 STARTER MOTOR



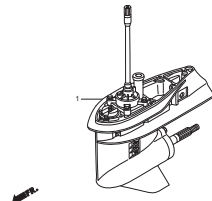
F-2 SHIFT SHAFT



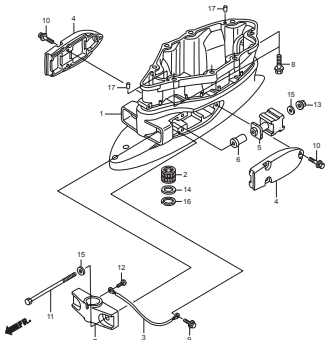
F-3 GEAR CASE



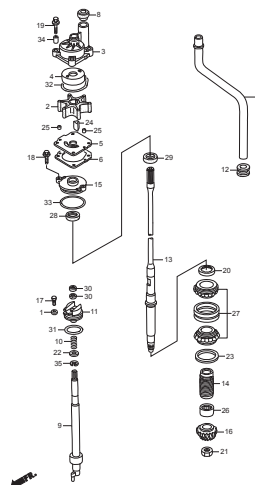
F-3-10 GEAR CASE ASSY



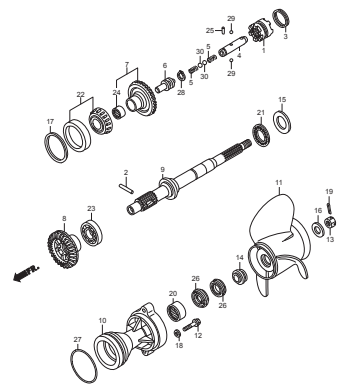
F-3-20 EXTENSION CASE



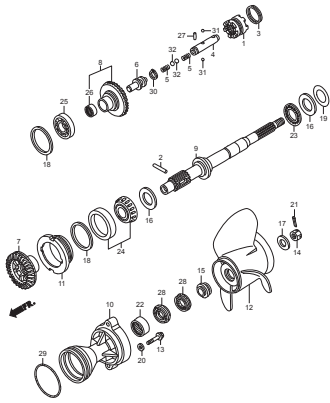
F-4 WATER PUMP/VERTICAL SHAFT



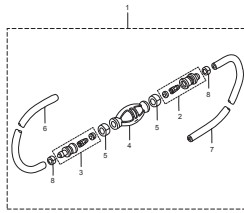
F-5 PROPELLER SHAFT/PROPELLER (LA/XA)



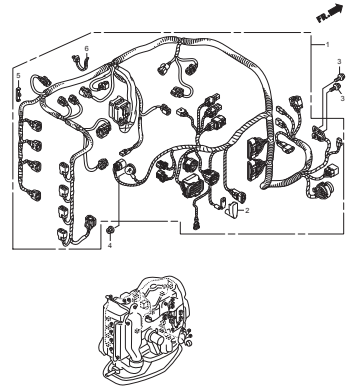
F-5-1 PROPELLER SHAFT/PROPELLER (XCA)



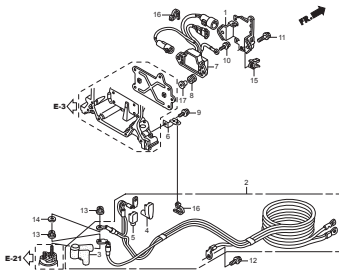
F-6 FUEL TUBE



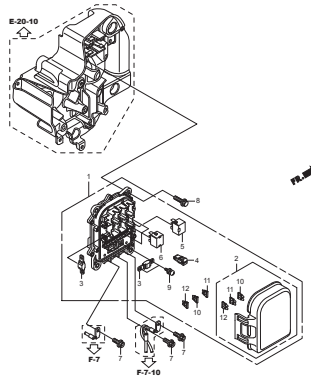
F-7 WIRE HARNESS



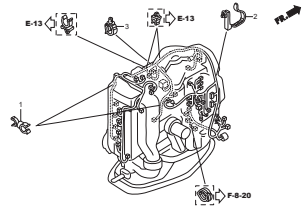
F-7-10 STARTER CABLE



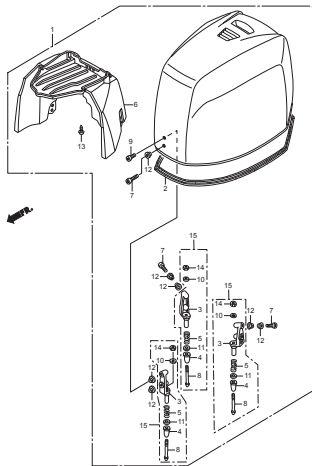
F-7-20 FUSE BOX/RELAY



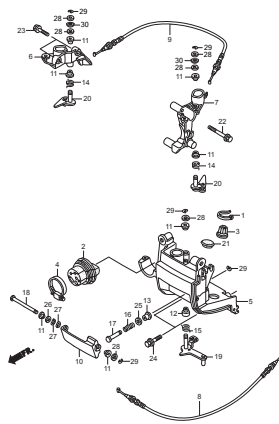
F-7-30 CLAMP



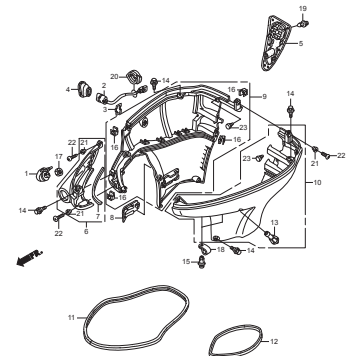
F-8 ENGINE COVER ASSY



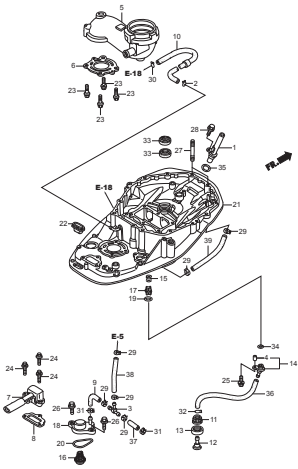
F-8-10 FR.COVER BRACKET/FR.LOCK



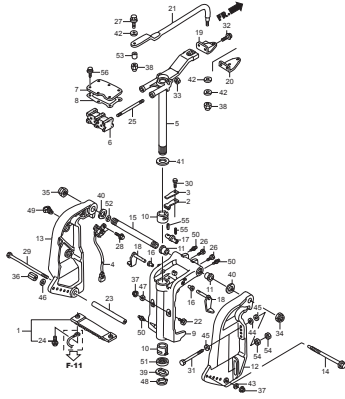
F-8-20 UNDER COVER



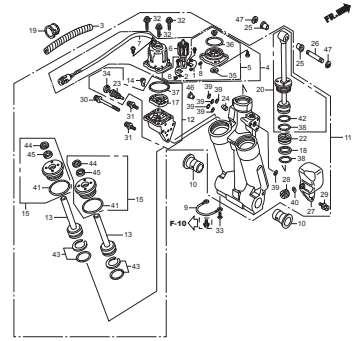
F-9 MOUNT CASE



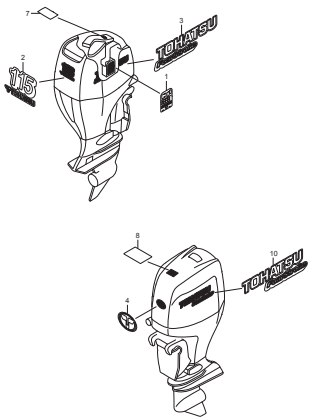
F-10 STERN BRACKET/SWIVEL CASE



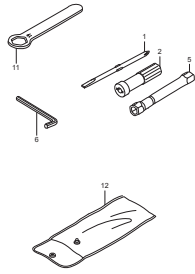
F-11 POWER TRIM-TILT



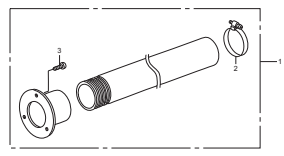
F-12 LABELS



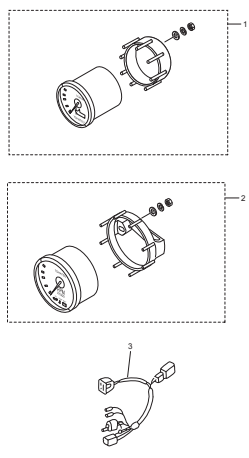
F-13 TOOLS



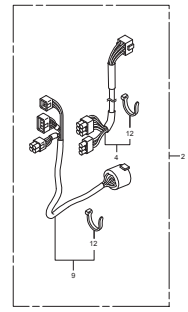
FOP-1 RIGGING HOSE KIT



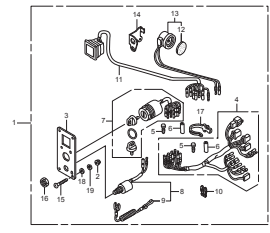
FOP-2 METER



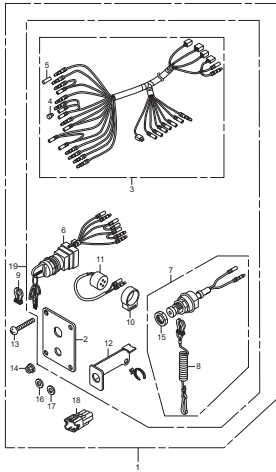
FOP-6 CONTROL PANEL (1)



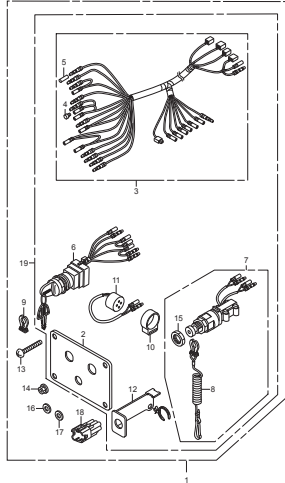
FOP-6-1 CONTROL PANEL (2)



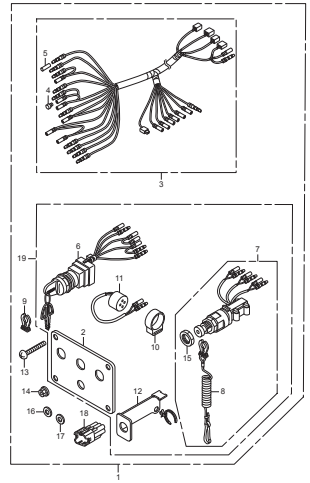
FOP-6-2 CONTROL PANEL (3)



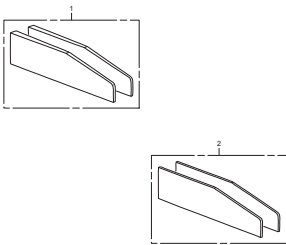
FOP-6-3 CONTROL PANEL (4)



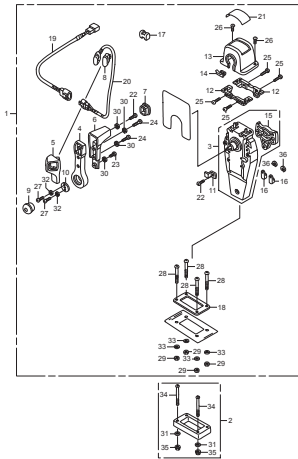
FOP-6-4 CONTROL PANEL (5)



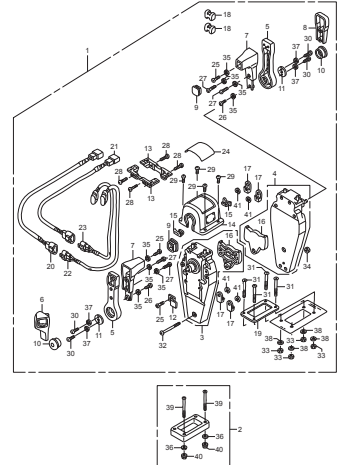
FOP-7 TRIM ADJUST PLATE SET



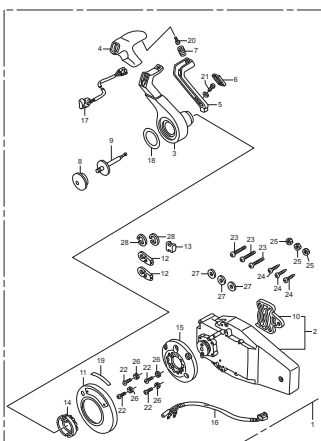
FOP-8 REMOTE CONTROL (TOP MOUNT SINGLE TYPE) (RIGHT)



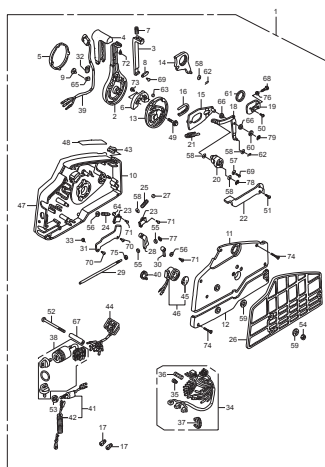
FOP-8-2 REMOTE CONTROL (TOP MOUNT DUAL TYPE) (RIGHT)



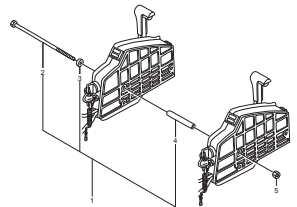
FOP-8-4 REMOTE CONTROL (FLUSH MOUNT TYPE) (RIGHT)



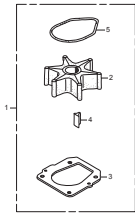
FOP-8-6 REMOTE CONTROL



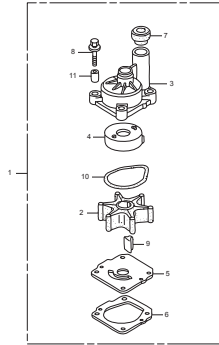
FOP-9 BOLT KIT



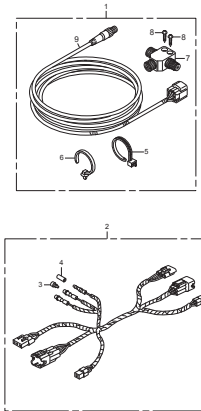
FOP-10 WATER PUMP IMPELLER KIT (1)



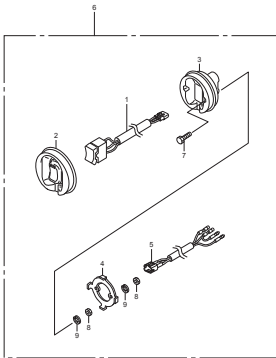
FOP-10-1 WATER PUMP IMPELLER KIT (2)



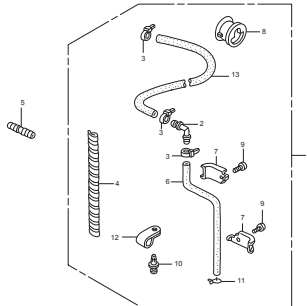
FOP-11 INTERFACE CABLE KIT

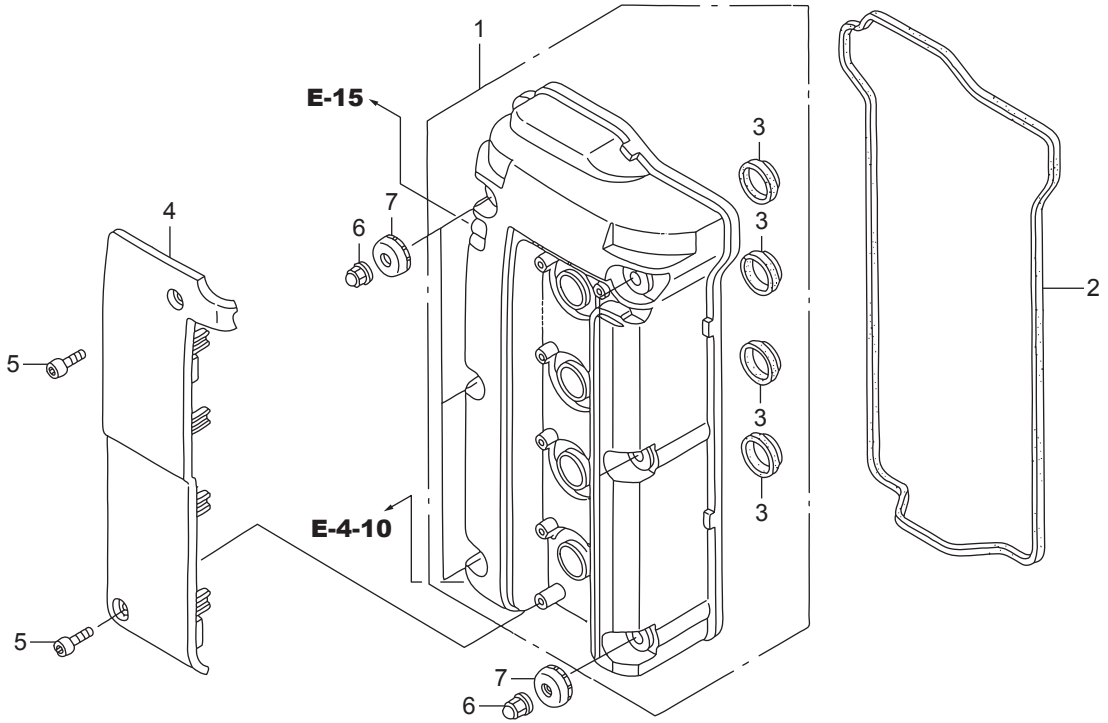


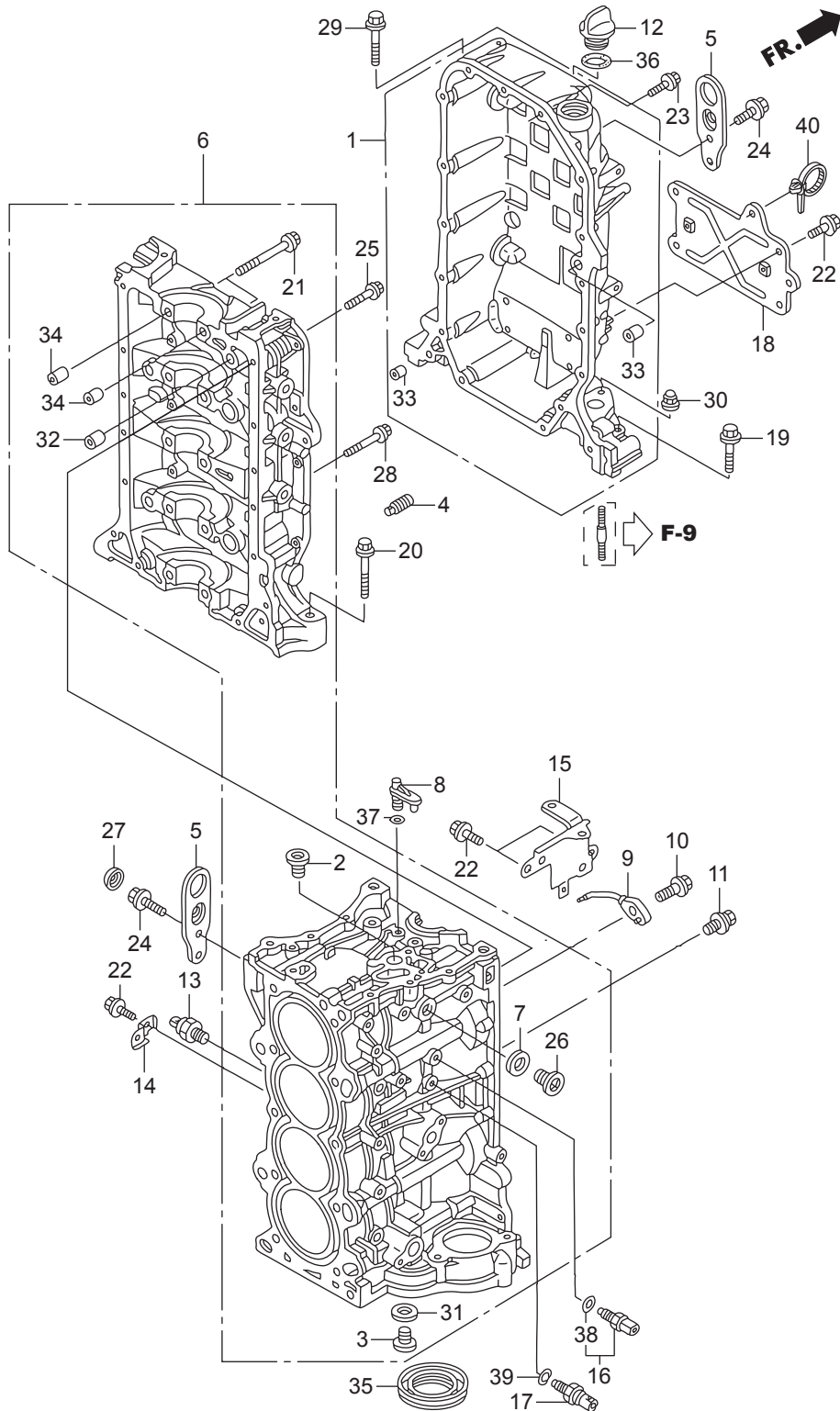
FOP-12 TROLLING CONTROL SWITCH



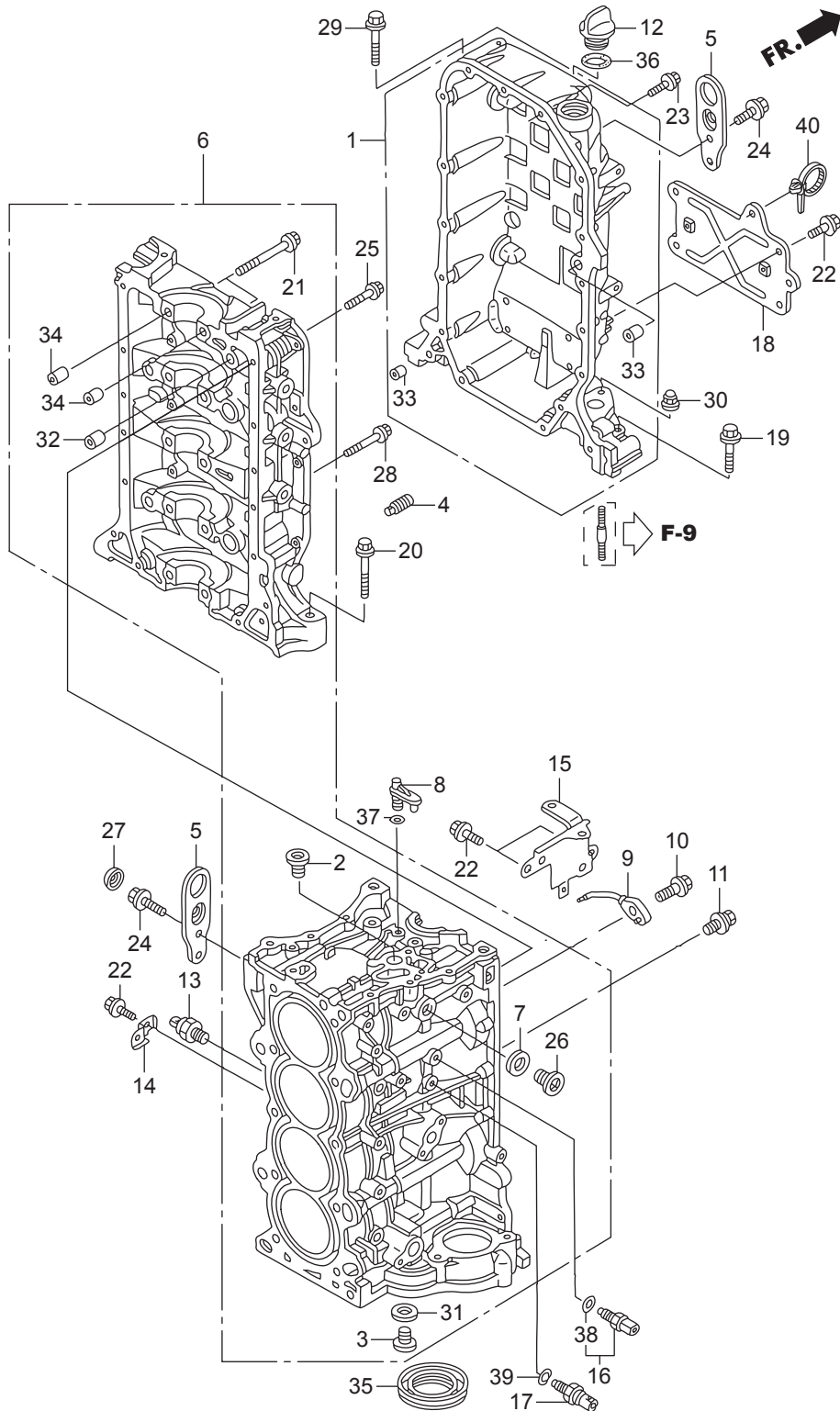
FOP-13 SPEED SENSOR TUBE KIT







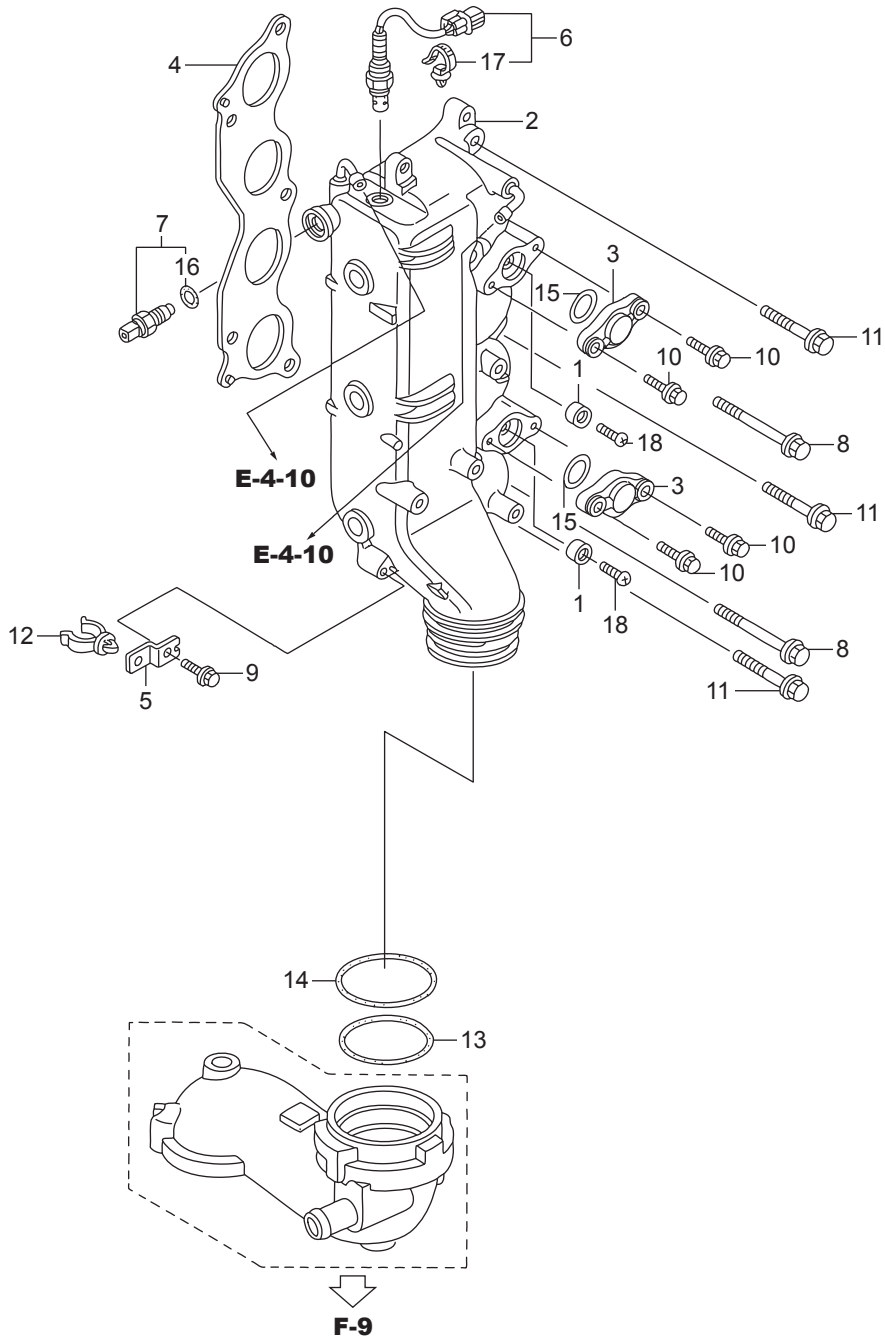
Ref.No.	Part No.	Description	Q' ty	Remarks	
			BFT115A		
E-3	1	HZY6-11100-405	CRANKCASE COMP.	1	
E-3	2	HPNA-11106-300	BOLT, SEALING, 20MM	1	
E-3	3	HPR4-11106-013	BOLT, SEALING, 28MM	1	
E-3	4	HPNA-11135-000	ORIFICE, LOWER BLOCK	1	
E-3	5	HZY6-11911-000	HANGER, ENGINE	2	
E-3	6	HZY6-12000-415ZA	BLOCK ASSY., CYLINDER	1	*NH8* DARK GRAY
E-3	7	HZV5-12214-000	WASHER, SEALING(22MM)	1	
E-3	8	HZY6-15152-000	ORIFICE, OIL JET	1	
E-3	9	HPRB-15280-A00	BODY COMP., OIL JET	2	
E-3	10	HPRA-15290-000	BOLT COMP., OIL JET	2	
E-3	11	HZY6-15299-000	BOLT-WASHER, 8X10	2	
E-3	12	H921-15611-000	CAP, OIL(YELLOW)	1	
E-3	13	HZY6-30530-003	SENSOR ASSY., KNOCK	1	
E-3	14	HZW9-32114-730	BRACKET, CLIP B	1	
E-3	15	HZY6-32114-010	BRACKET D, HARNESS CLIP	1	
E-3	16	HZY3-35673-003	SENSOR ASSY., WATER TEMPERATURE	1	
E-3	17	HRNA-37260-A01	SENSOR, OIL PRESSURE	1	
E-3	18	HZY6-38552-000	BRACKET, RELAY	1	
E-3	19	HZY6-90001-000	BOLT, FLANGE, 8X55	2	
E-3	20	HZY6-90005-000	BOLT, FLANGE, 12X83	1	
E-3	21	HPNA-90006-003	BOLT-WASHER, 11X95	10	
E-3	22	HZW9-90011-000	BOLT, FLANGE, 6X14(CT200)	7	
E-3	23	HZW9-90016-000	BOLT, FLANGE, 6X25	18	
E-3	24	HZY3-90026-000	BOLT, FLANGE, 8X20	4	
E-3	25	HZY3-90054-000	BOLT, FLANGE, 8X35	10	
E-3	26	HZV5-90081-010	BOLT, SEALING, 22MM	1	
E-3	27	HZY6-90082-003	CAP, BOLT, 8MM	1	
E-3	28	HZW4-90156-000	BOLT, FLANGE, 8X50	4	
E-3	29	HZW4-90162-000	BOLT, FLANGE, 10X70	1	



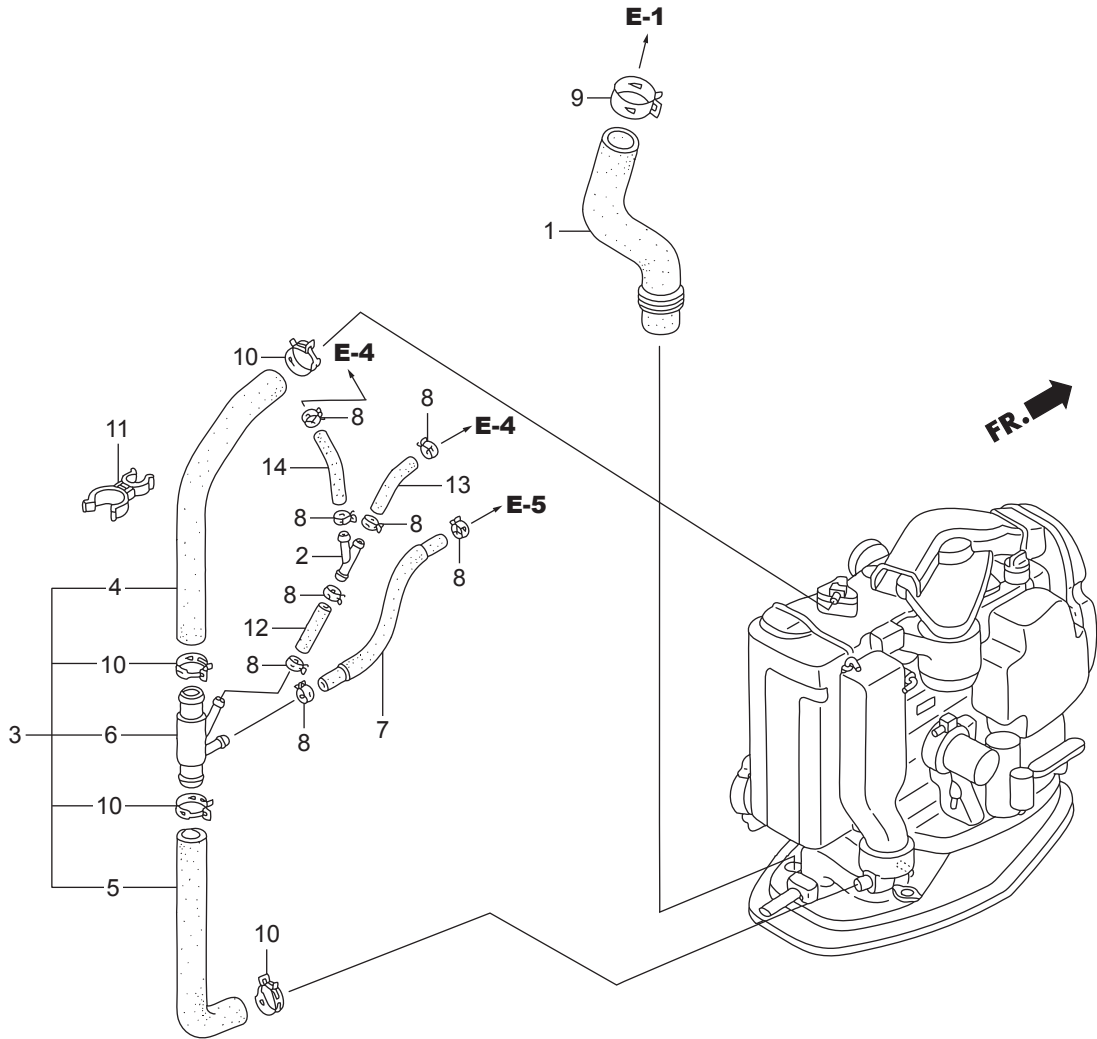
Ref.No.		Part No.	Description	Q' ty	Remarks
				BFT115A	
E-3	30	HZY3-90204-000	NUT, FLANGE CAP, 10MM	2	
E-3	31	HPR4-90401-000	WASHER, SEALING, 28MM	1	
E-3	32	HPE0-90703-000	DOWEL PIN, 18X22	1	
E-3	33	HPC6-90715-000	DOWEL PIN, 13X20	2	
E-3	34	HPNA-90715-000	DOWEL PIN, 13X14	10	
E-3	35	HPNA-91214-014	OIL SEAL, 80X98X10(ARAI)	1	
E-3	36	H805-91301-000	O-RING, 26X2.7	1	
E-3	37	HZY6-91305-003	O-RING, 6.5X1.5	1	
E-3	38	HPNA-91307-003	O-RING, 9.5X1.9	1	
E-3	39	HPR3-91319-003	O-RING, 13X1.5(ARAI)	1	
E-3	40	HS0A-91541-003	CLIP, HARNESS BAND(BLACK)	1	(145MM)

E-4

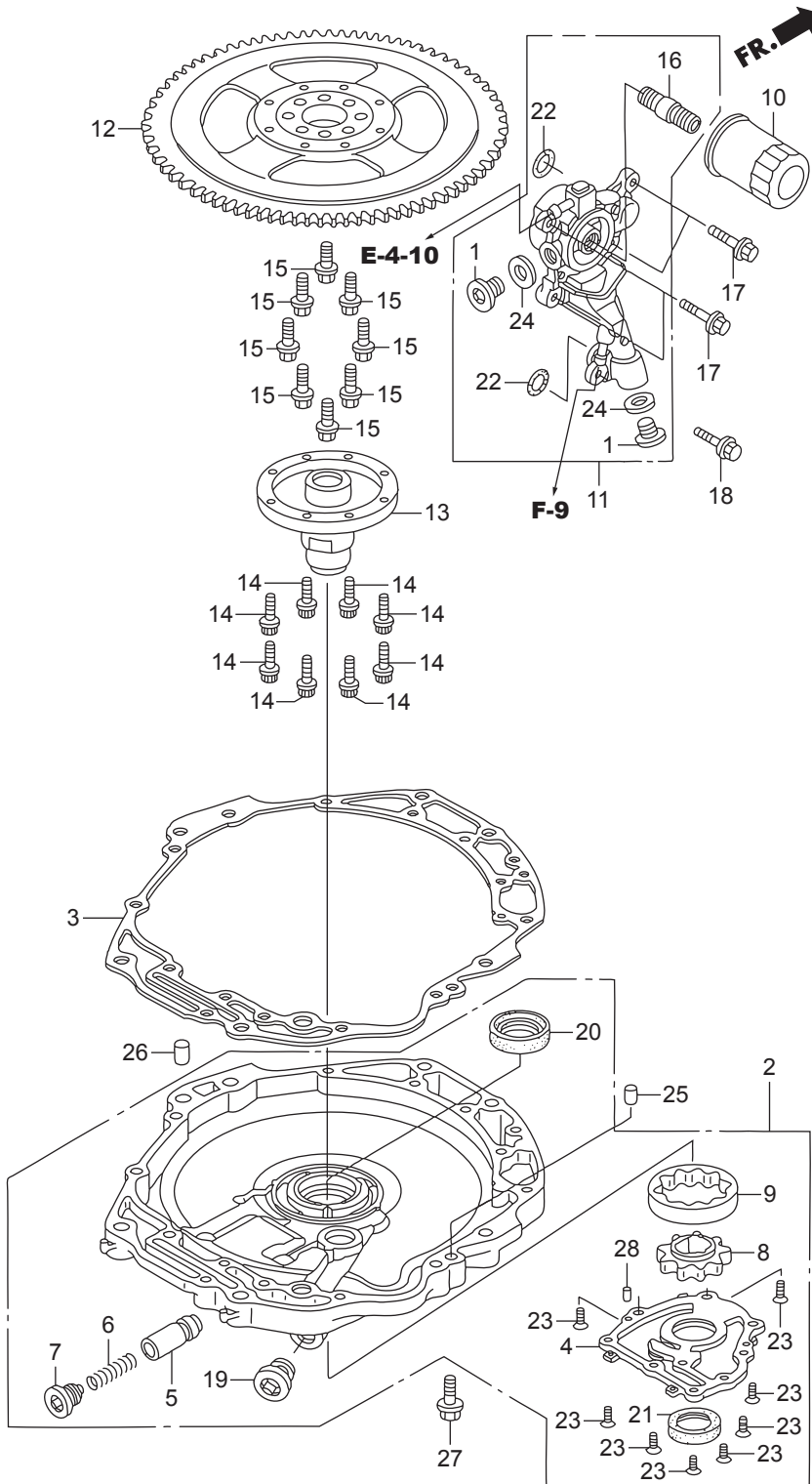
EXHAUST PIPE



Ref.No.	Part No.	Description	Q' ty	Remarks	
			BFT115A		
E-4	1	HZV5-12155-000	METAL, ANODE	2	
E-4	2	HZY6-18110-415ZA	MANIFOLD COMP., EX.	1	*NH8* DARK GRAY
E-4	3	HZY6-18112-030ZA	COVER, EX. MANIFOLD	2	*NH8* DARK GRAY
E-4	4	HZY6-18115-003	GASKET COMP., EX. MANIFOLD	1	
E-4	5	HZY6-19268-000	BRACKET, WATER TUBE CLAMP	1	
E-4	6	HZY6-35668-003	SENSOR, LAF	1	
E-4	7	HZY3-35673-003	SENSOR ASSY., WATER TEMPERATURE	1	
E-4	8	HZY6-90013-000	BOLT, FLANGE, 10X75	2	
E-4	9	HZY3-90021-000	BOLT, FLANGE, 6X14	1	
E-4	10	HZY3-90030-000	BOLT, FLANGE, 6X22	4	
E-4	11	HZW4-90170-000	BOLT, FLANGE, 10X45	3	
E-4	12	HZY6-90604-003	CLAMP B, WATER TUBE	1	
E-4	13	HZY6-91301-003	O-RING, 76.4X3.1	1	
E-4	14	HZY6-91302-003	O-RING, 79.8X3.1	1	
E-4	15	HHN0-91305-A00	O-RING, 37X2.4	2	
E-4	16	HPNA-91307-003	O-RING, 9.5X1.9	1	
E-4	17	HSV4-91540-003	CLIP, HARNESS BAND(NATURAL)	1	(145.2MM)
E-4	18	HCO-93500-06018-4J	SCREW, PAN, 6X18	2	

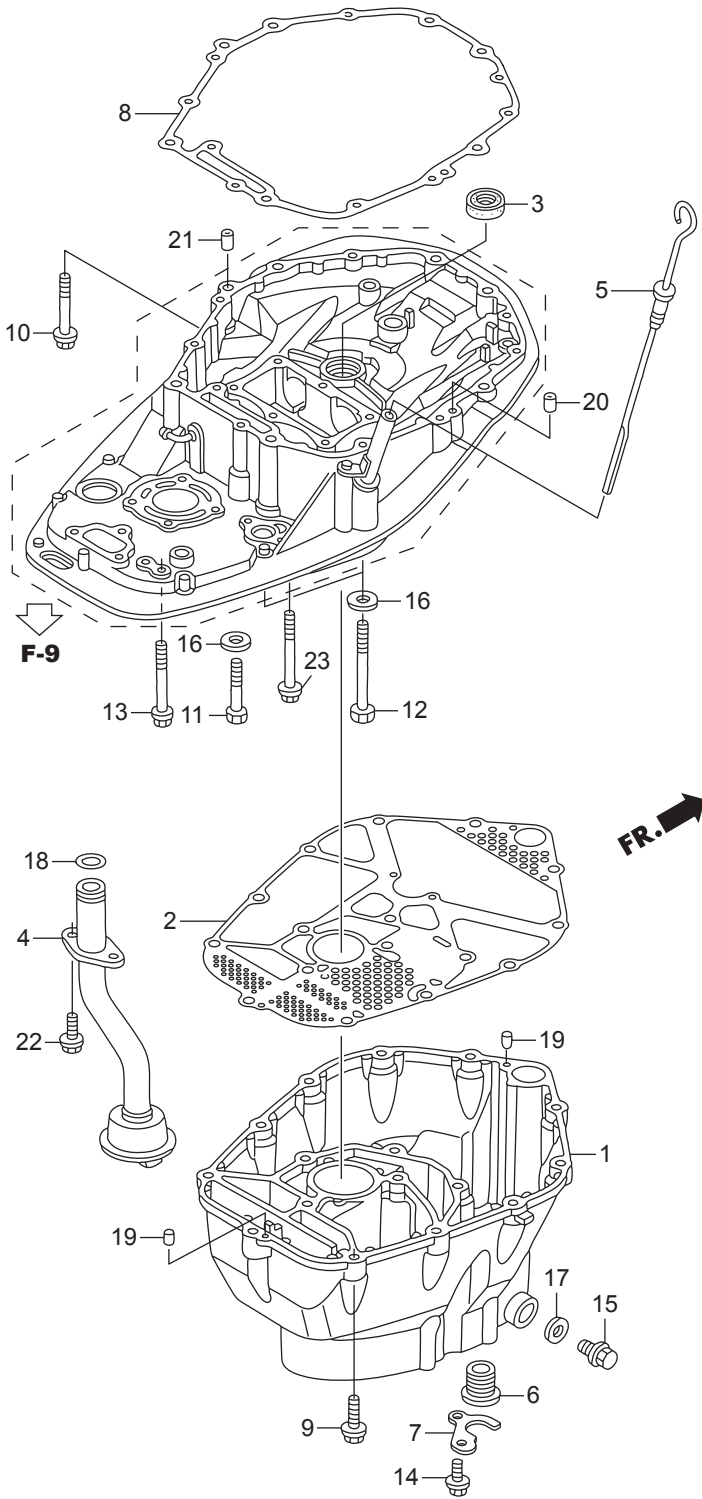


Ref.No.	Part No.	Description	Q' ty	Remarks	
			BFT115A		
E-4-10	1	HZY6-15425-010	TUBE, OIL	1	
E-4-10	2	HMY1-16959-000	JOINT, FUEL TUBE	1	
E-4-10	3	HZY6-19260-020	TUBE COMP., WATER RELIEF	1	
E-4-10	4	HZY6-19261-010	TUBE A, WATER RELIEF	1	
E-4-10	5	HZY6-19262-010	TUBE B, WATER RELIEF	1	
E-4-10	6	HZY6-19263-000	JOINT, FOUR-WAY	1	
E-4-10	7	HZY6-19266-000	TUBE COMP. E, WATER	1	
E-4-10	8	HZY3-90601-030	CLAMP, TUBE(D10.5)	8	
E-4-10	9	HZY3-90602-020	CLAMP, TUBE(D32.5)	1	
E-4-10	10	HZY6-90602-020	CLAMP, TUBE(D25.0)	4	
E-4-10	11	HZY6-90603-003	CLAMP, WATER TUBE	1	
E-4-10	12	HCO-95005-70075-30	TUBE, 7X75	1	(HC-95005-70001-30M)
E-4-10	13	HCO-95005-70090-30	TUBE, 7X90	1	(HC-95005-70001-30M)
E-4-10	14	HCO-95005-70120-30	TUBE, 7X120	1	(HC-95005-70001-30M)

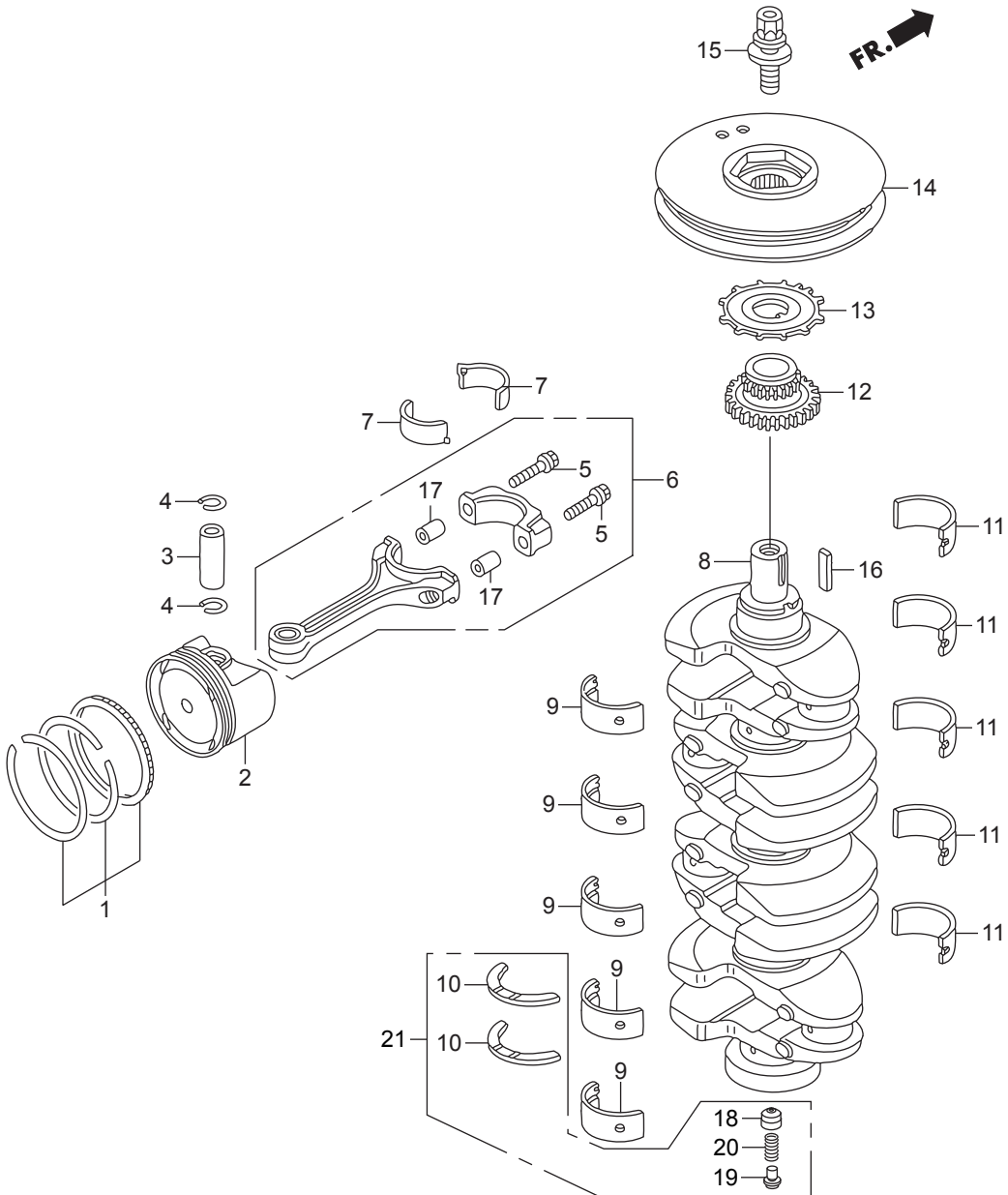


Ref.No.	Part No.	Description	Q' ty	Remarks	
			BFT115A		
E-5	1	HZW1-12217-010	BOLT, SEALING, 20MM	2	
E-5	2	HZY6-15100-000ZA	PUMP ASSY., OIL	1	*NH8* DARK GRAY
E-5	3	HZY6-15112-000	PACKING, OIL PUMP BODY	1	
E-5	4	HZY6-15121-000	COVER, OIL PUMP	1	
E-5	5	HPE0-15231-000	VALVE, RELIEF	1	
E-5	6	HPG6-15232-000	SPRING, RELIEF VALVE	1	
E-5	7	HPC6-15233-000	BOLT, SEALING, 18MM	1	
E-5	8	HZW5-15331-003	ROTOR, INNER OIL PUMP	1	
E-5	9	HZW5-15341-003	ROTOR, OUTER OIL PUMP	1	
E-5	10	HRTA-15400-004	CARTRIDGE, OIL FILTER	1	(TOYO ROKI)
E-5	11	HZY6-15410-010ZA	FLANGE COMP., OIL FILTER	1	*NH8* DARK GRAY
E-5	12	HZY6-31110-000ZA	FLYWHEEL COMP.	1	*TBLACK* BLACK
E-5	13	HZY3-31116-000	BOSS, FLYWHEEL	1	
E-5	14	HZW5-90002-013	BOLT, SPECIAL, 8MM	8	
E-5	15	HPH3-90011-000	BOLT, FLANGE, 12MM	8	
E-5	16	HPH1-90015-013	HOLDER, OIL FILTER	1	
E-5	17	HZW9-90016-000	BOLT, FLANGE, 6X25	4	
E-5	18	HZW5-90018-000	BOLT, FLANGE, 6X20	1	
E-5	19	HZV5-90081-010	BOLT, SEALING, 22MM	2	
E-5	20	HZW5-91201-003	OIL SEAL, 46X60X9	1	
E-5	21	HP01-91212-003	OIL SEAL, 31X46X7(NOK)	1	
E-5	22	HVD6-91360-003	O-RING, 22.5X2.4	2	
E-5	23	HCO-93600-06016-0A	SCREW, FLAT, 6X16	9	
E-5	24	HCO-94109-20000	WASHER, DRAIN PLUG, 20MM	2	
E-5	25	HCO-94301-10160	DOWEL PIN, 10X16	1	
E-5	26	HCO-94301-14200	DOWEL PIN, 14X20	1	
E-5	27	HCO-95701-08032-08	BOLT, FLANGE, 8X32	5	
E-5	28	HCO-96220-50080	ROLLER, 5X8	2	

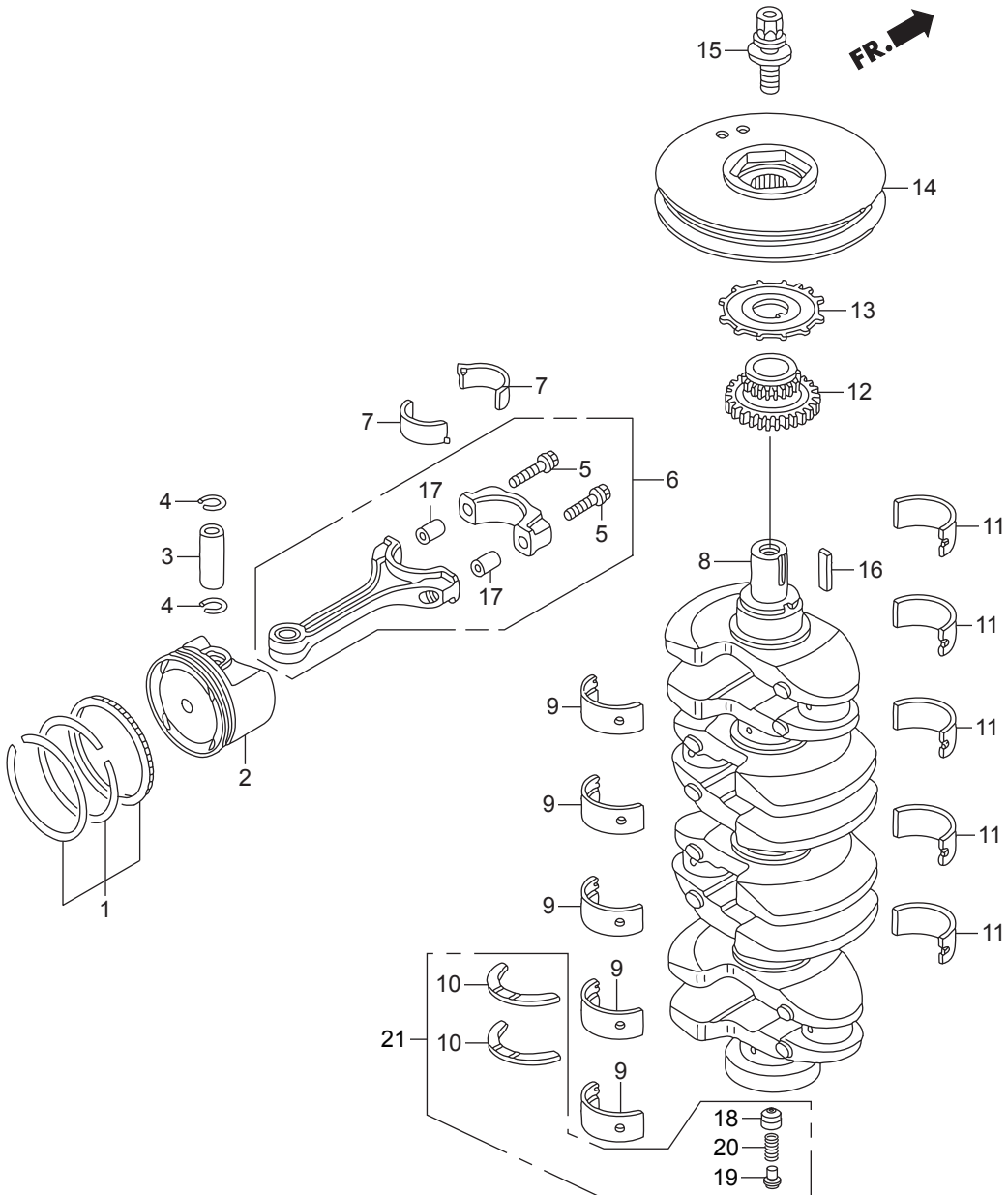
E-6 OIL PAN



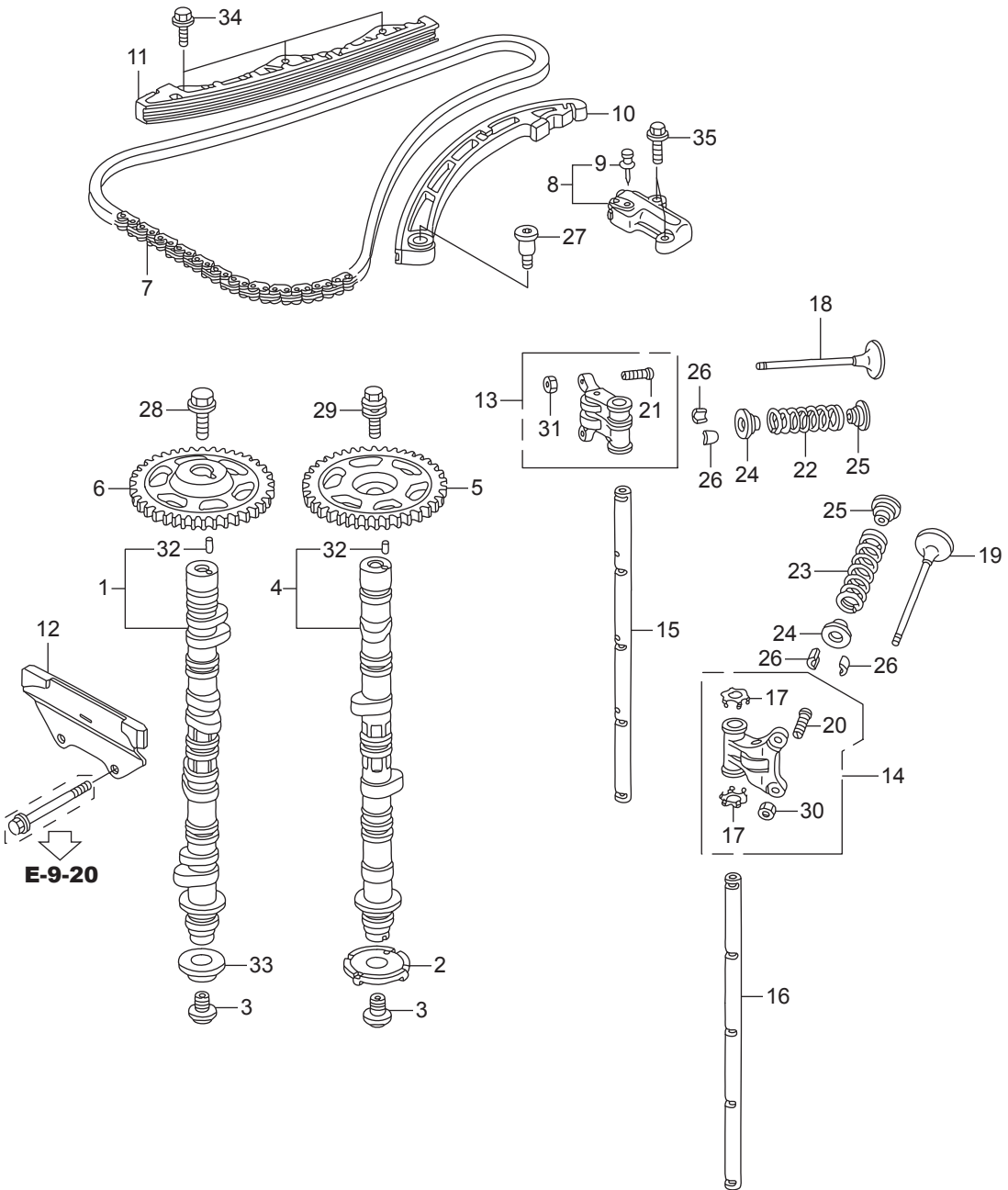
Ref.No.	Part No.	Description	Q' ty	Remarks	
			BFT115A		
E-6	1	HZY6-11321-010ZB	CASE, OIL	1	*TGRAY* GRAY
E-6	2	HZY6-11381-010	PACKING, OIL PAN	1	
E-6	3	HZW5-15113-000	RUBBER, OIL PUMP	1	
E-6	4	HZY6-15220-010	STRAINER COMP., OIL	1	
E-6	5	HZY6-15655-000	GAUGE COMP., OIL LEVEL	1	
E-6	6	HZW1-19252-000	GROMMET, WATER TUBE	1	
E-6	7	HZY6-19254-000	PLATE, WATER TUBE	1	
E-6	8	HZY6-23172-000	GASKET, MOUNT CASE	1	
E-6	9	HZY6-90002-000	BOLT, FLANGE, 10X40	16	
E-6	10	HZY6-90017-000	BOLT, FLANGE, 10X80	1	
E-6	11	HZY6-90018-000	BOLT, HEX., 12X70	1	
E-6	12	HZY6-90019-000	BOLT, HEX., 12X130	2	
E-6	13	HZY3-90046-000	BOLT, FLANGE, 8X100	1	
E-6	14	HZW9-90102-000	BOLT, FLANGE, 6X12	1	
E-6	15	HZV5-90131-000	BOLT, DRAIN PLUG	1	
E-6	16	HZV5-90559-000	WASHER, PLAIN, 12MM	3	
E-6	17	HZE2-90601-000	WASHER, DRAIN PLUG, 12MM	1	
E-6	18	HPC6-91324-000	O-RING, 20.6X2.6	1	
E-6	19	HCO-94301-06100	DOWEL PIN, 6X10	2	
E-6	20	HCO-94301-10160	DOWEL PIN, 10X16	1	
E-6	21	HCO-94301-14200	DOWEL PIN, 14X20	1	
E-6	22	HCO-95701-06018-09	BOLT, FLANGE, 6X18	2	
E-6	23	HCO-95701-10110-09	BOLT, FLANGE, 10X110	2	



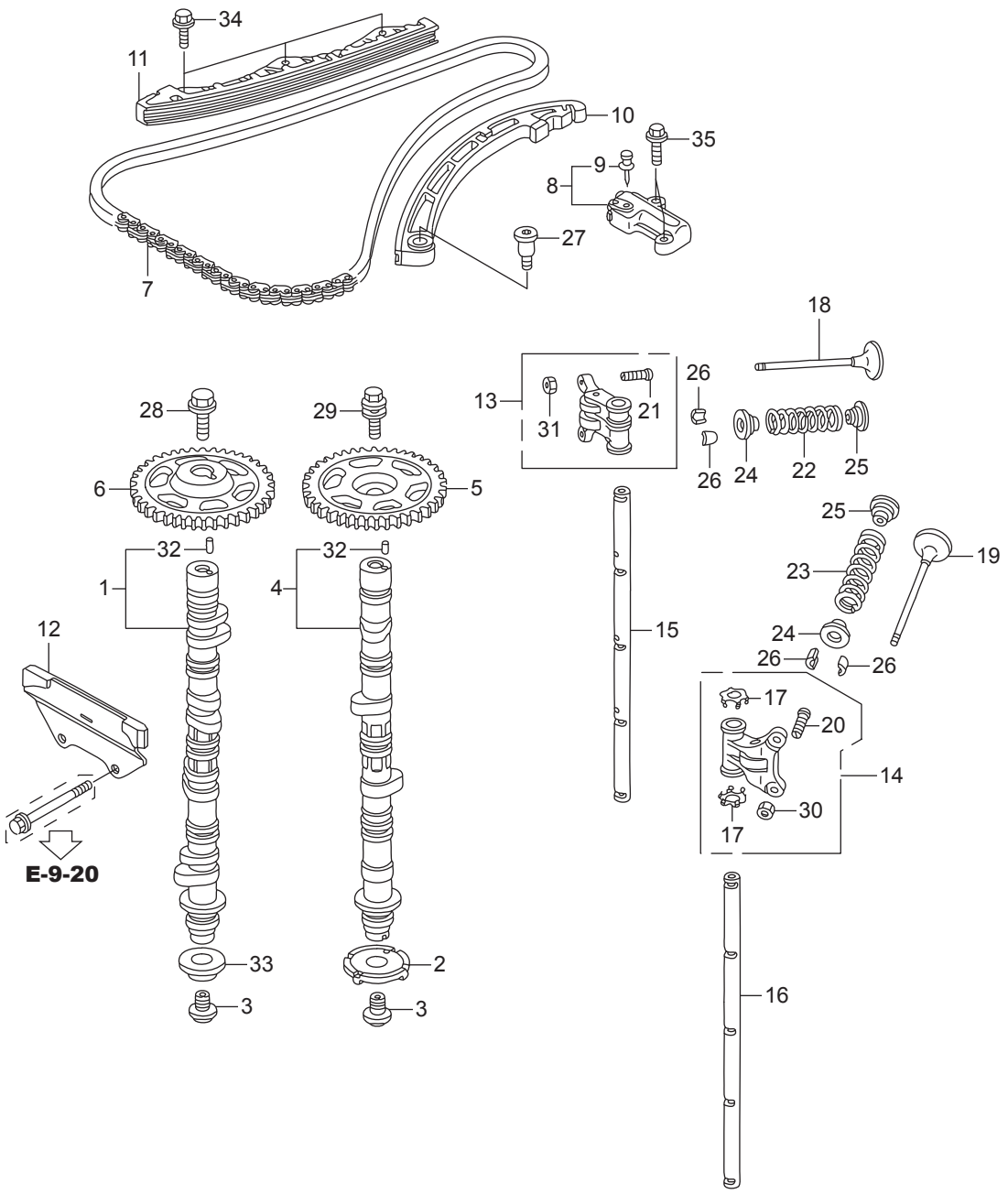
Ref.No.	Part No.	Description	Q' ty	Remarks	
			BFT115A		
E-7	1	HZY6-13010-000	RING SET, PISTON(STD.)	4	
E-7	2	HZY6-13101-000	PISTON A	4	
E-7	2	HZY6-13102-000	PISTON B	4	
E-7	3	HPNA-13111-010	PIN, PISTON	4	
E-7	4	HP5A-13115-000	CLIP, PISTON PIN	8	
E-7	5	HP8A-13204-A01	BOLT, CONNECTING ROD	8	#~1005879
E-7	5	HRBB-13204-004	BOLT, CONNECTING ROD	8	#1005880~
E-7	6	HPPA-13210-000	ROD COMP., CONNECTING	4	#~1005879
E-7	6	HR40-13210-A00	ROD COMP., CONNECTING	4	#1005880~
E-7	7	HZY6-13211-004	BEARING A, CONNECTING ROD (BLUE)	8	
E-7	7	HZY6-13212-004	BEARING B, CONNECTING ROD (BLACK)	8	
E-7	7	HZY6-13213-004	BEARING C, CONNECTING ROD (BROWN)	8	
E-7	7	HZY6-13214-004	BEARING D, CONNECTING ROD (GREEN)	8	
E-7	7	HZY6-13215-004	BEARING E, CONNECTING ROD (YELLOW)	8	
E-7	7	HZY6-13216-004	BEARING F, CONNECTING ROD (PINK)	8	
E-7	7	HZY6-13217-004	BEARING G, CONNECTING ROD(RED)	8	
E-7	8	HPPA-13310-000	CRANKSHAFT COMP.	1	#~1005879
E-7	8	HR40-13310-A00	CRANKSHAFT COMP.	1	#1005880~#1006605
E-7	8	HZY6-13310-010	CRANKSHAFT COMP.	1	#1006606~
E-7	9	HPNA-13321-003	BEARING A, MAIN UPPER(BLUE)	5	(DAIDO)
E-7	9	HPNA-13322-003	BEARING B, MAIN UPPER(BLACK)	5	(DAIDO)
E-7	9	HPNA-13323-003	BEARING C, MAIN UPPER(BROWN)	5	(DAIDO)
E-7	9	HPNA-13324-003	BEARING D, MAIN UPPER(GREEN)	5	(DAIDO)
E-7	9	HPNA-13325-003	BEARING E, MAIN UPPER(YELLOW)	5	(DAIDO)
E-7	9	HPNA-13326-003	BEARING F, MAIN UPPER(PINK)	5	(DAIDO)
E-7					
E-7	10	HZY6-13331-023	WASHER, THRUST	2	#1006606~
E-7	11	HPNA-13341-003	BEARING A, MAIN LOWER(BLUE)	5	(DAIDO)
E-7	11	HPNA-13342-003	BEARING B, MAIN LOWER(BLACK)	5	(DAIDO)

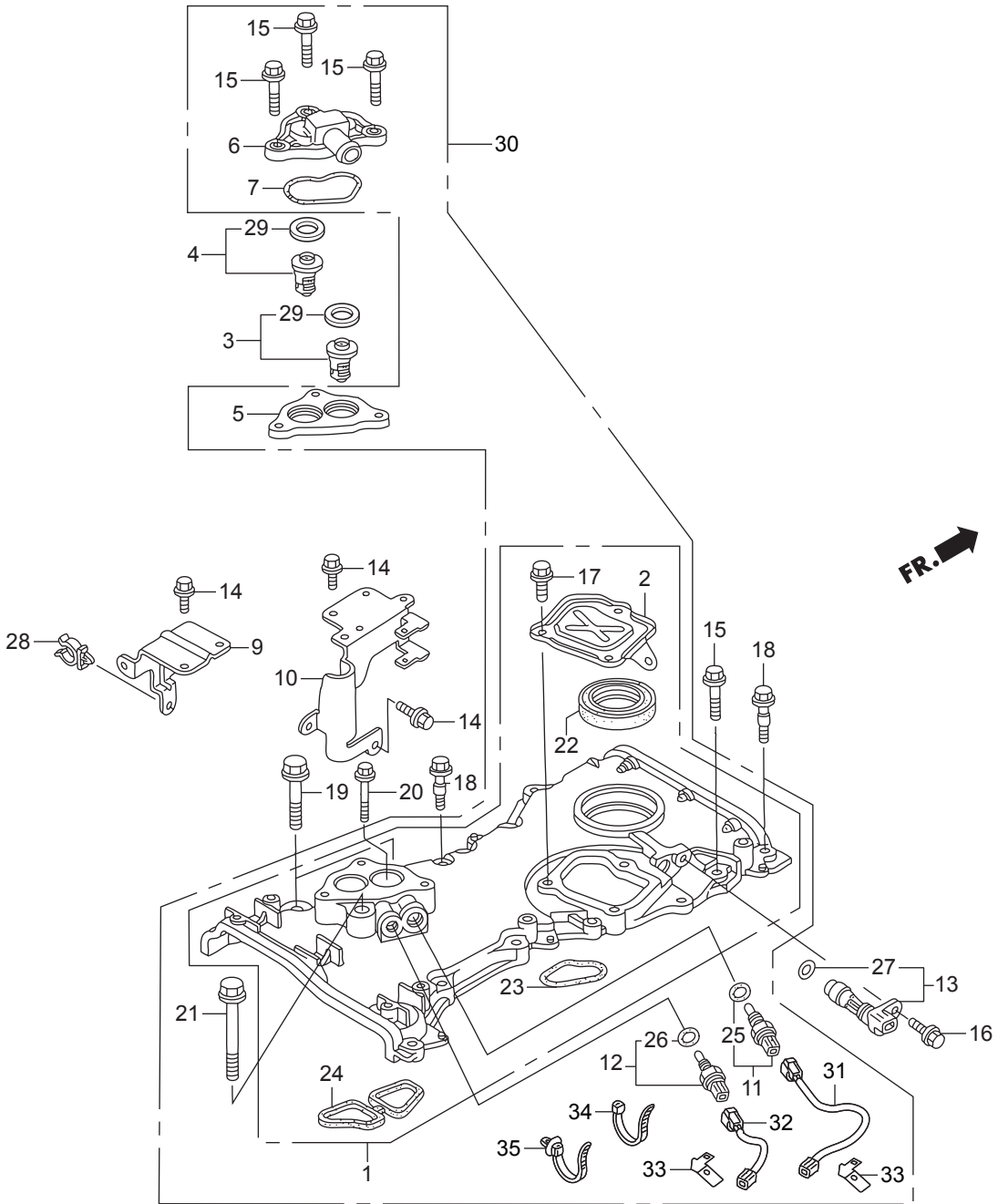


Ref.No.	Part No.	Description	Q'ty	Remarks	
			BFT115A		
E-7	11	HPNA-13343-003	BEARING C, MAIN LOWER(BROWN)	5	(DAIDO)
E-7	11	HPNA-13344-003	BEARING D, MAIN LOWER(GREEN)	5	(DAIDO)
E-7	11	HPNA-13345-003	BEARING E, MAIN LOWER(YELLOW)	5	(DAIDO)
E-7	11	HPNA-13346-003	BEARING F, MAIN LOWER(PINK)	5	(DAIDO)
E-7	12	HRAA-13620-A02	SPROCKET COMP., CHAIN DRIVE	1	
E-7	13	HPNA-13622-003	PLATE, CRANK PULSER	1	
E-7	14	HZY6-13811-000	PULLEY, CRANKSHAFT	1	
E-7	15	HPCX-90017-013	BOLT-WASHER, 16X49	1	
E-7	16	HPNA-90704-000	KEY, 4.5X21	1	
E-7	17	HCO-94301-10120	DOWEL PIN, 10X12	8	#~1005879
E-7	18	HZY3-13391-000	RETAINER, SPRING	1	#1006606~1007711
E-7	18	HZY3-13391-010	RETAINER, SPRING	1	#1007712~
E-7	19	HZY6-13392-000	SEAT, SPRING(150)	1	#1006606~
E-7	20	HZY3-13398-003	SPRING, SUPPORT	1	#1006606~
E-7	21	HZY6-04105-000	WASHER KIT, THRUST(150)	1	#~1006605

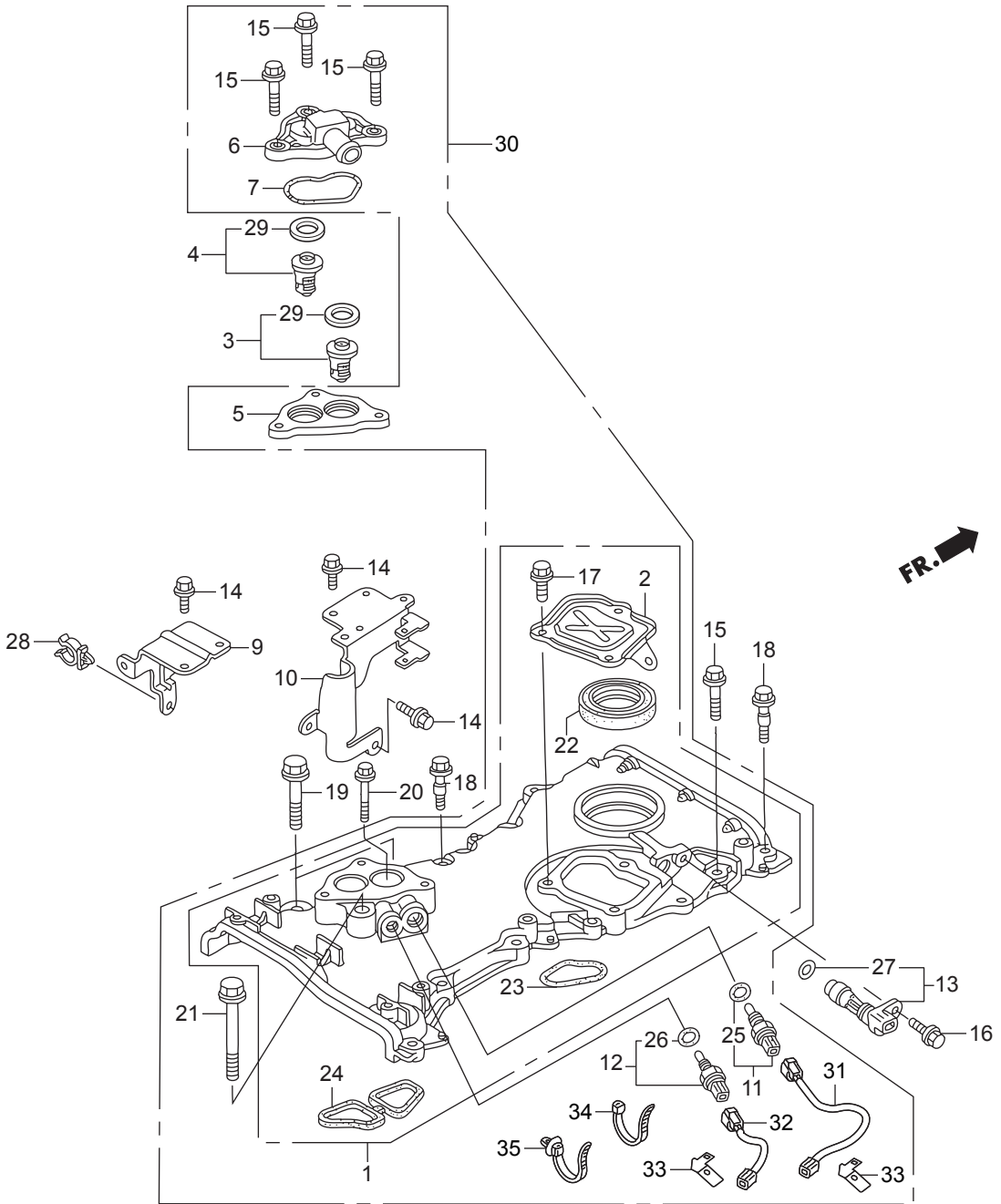


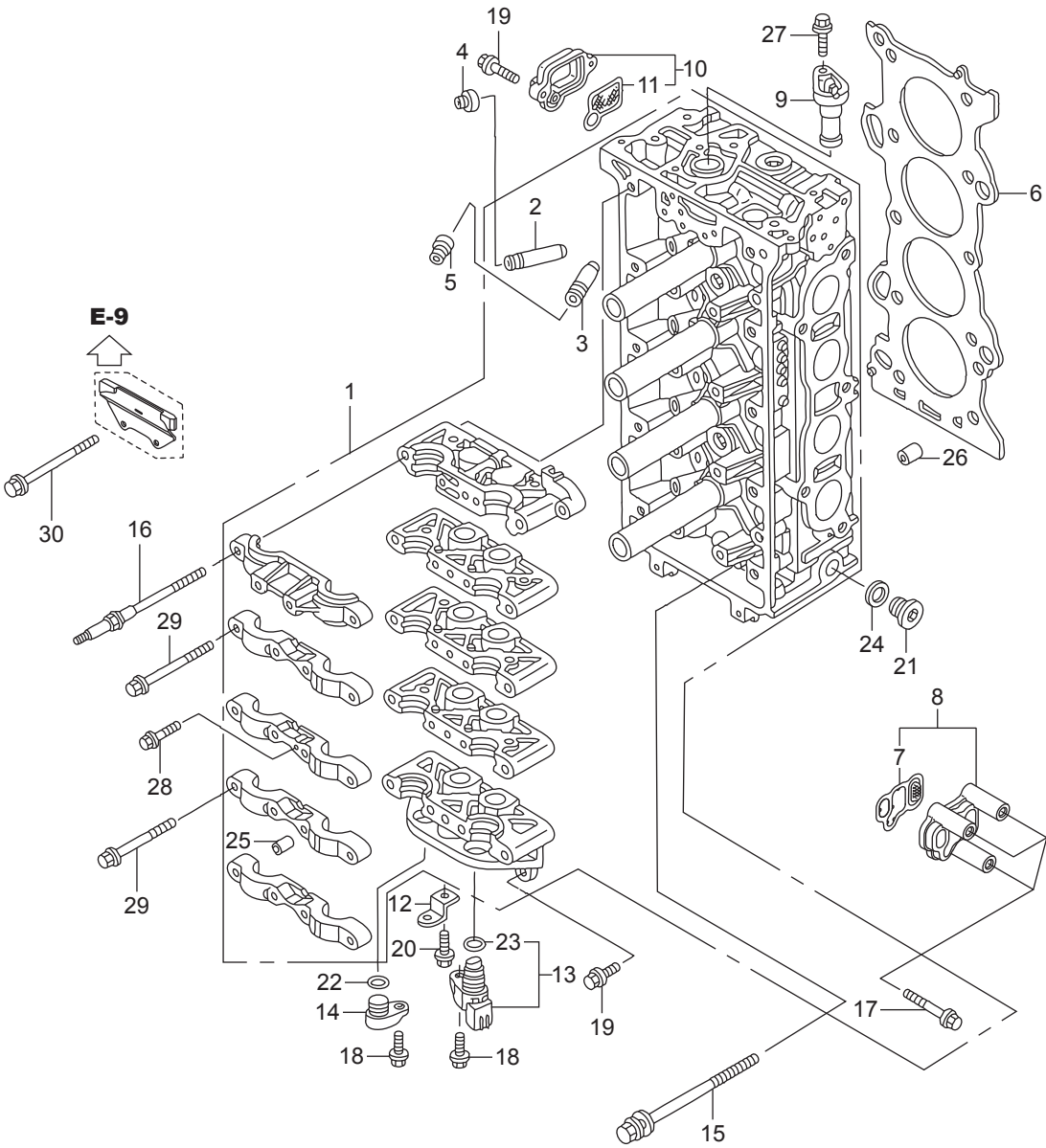
Ref.No.	Part No.	Description	Q' ty	Remarks	
			BFT115A		
E-9	1	HZY5-14110-000	CAMSHAFT COMP., IN.	1	
E-9	2	HPNA-14114-003	PLATE, TDC PULSE	1	
E-9	3	HPNA-14115-000	BOLT, SEALING, 14MM	2	
E-9	4	HZY6-14120-000	CAMSHAFT COMP., EX.	1	
E-9	5	HPNA-14210-000	SPROCKET, CAM CHAIN DRIVEN	1	(46T)
E-9	6	HZY6-14311-000	SPROCKET, CAM CHAIN DRIVEN IN.	1	(46T)
E-9	7	HR40-14401-A01	CHAIN(176L)(BORG WARNER)	1	
E-9	8	HZY6-14510-003	TENSIONER ASSY., CAM CHAIN	1	
E-9	9	HPNA-14511-003	STOPPER(TOOL)	1	
E-9	10	HPPA-14520-003	ARM COMP., CAM CHAIN TENSIONER	1	
E-9	11	HPPA-14530-003	GUIDE COMP., CAM CHAIN	1	
E-9	12	HRWC-14540-A02	GUIDE COMP. B, CAM CHAIN	1	
E-9	13	HRAA-14620-A00	ARM ASSY., ROCKER	4	
E-9	14	HRAA-14624-A00	ARM ASSY., EX. ROCKER	4	
E-9	15	HPNE-14631-000	SHAFT, IN. ROCKER	1	
E-9	16	HR40-14633-A00	SHAFT, EX. ROCKER	1	
E-9	17	HRAA-14647-A00	WASHER, THRUST	8	
E-9	18	HPNA-14711-000	VALVE, IN.	8	
E-9	19	HPRB-14721-A00	VALVE, EX.	8	
E-9	20	HPNA-14744-004	SCREW, TAPPET ADJUSTING	8	
E-9	21	HPT0-14744-004	SCREW, TAPPET ADJUSTING	8	
E-9	22	HZY6-14751-003	SPRING, IN. VALVE(PINK)	8	(NIPPON HATSUJO)
E-9	23	HPNA-14762-003	SPRING, EX. VALVE(GRAY)	8	(NIPPON HATSUJO)
E-9	24	HRAA-14765-A00	RETAINER, VALVE SPRING	16	
E-9	25	HPT0-14775-000	SEAT, VALVE SPRING	16	
E-9	26	HRGM-14781-A01	COTTER, VALVE(FUJI VALVE)	32	
E-9	27	HPNA-90003-000	BOLT, TENSIONER PIVOT	1	
E-9	28	HPNA-90032-000	BOLT, FLANGE, 12X47	1	
E-9	29	HPNA-90042-003	BOLT, FLANGE, 10X32	1	



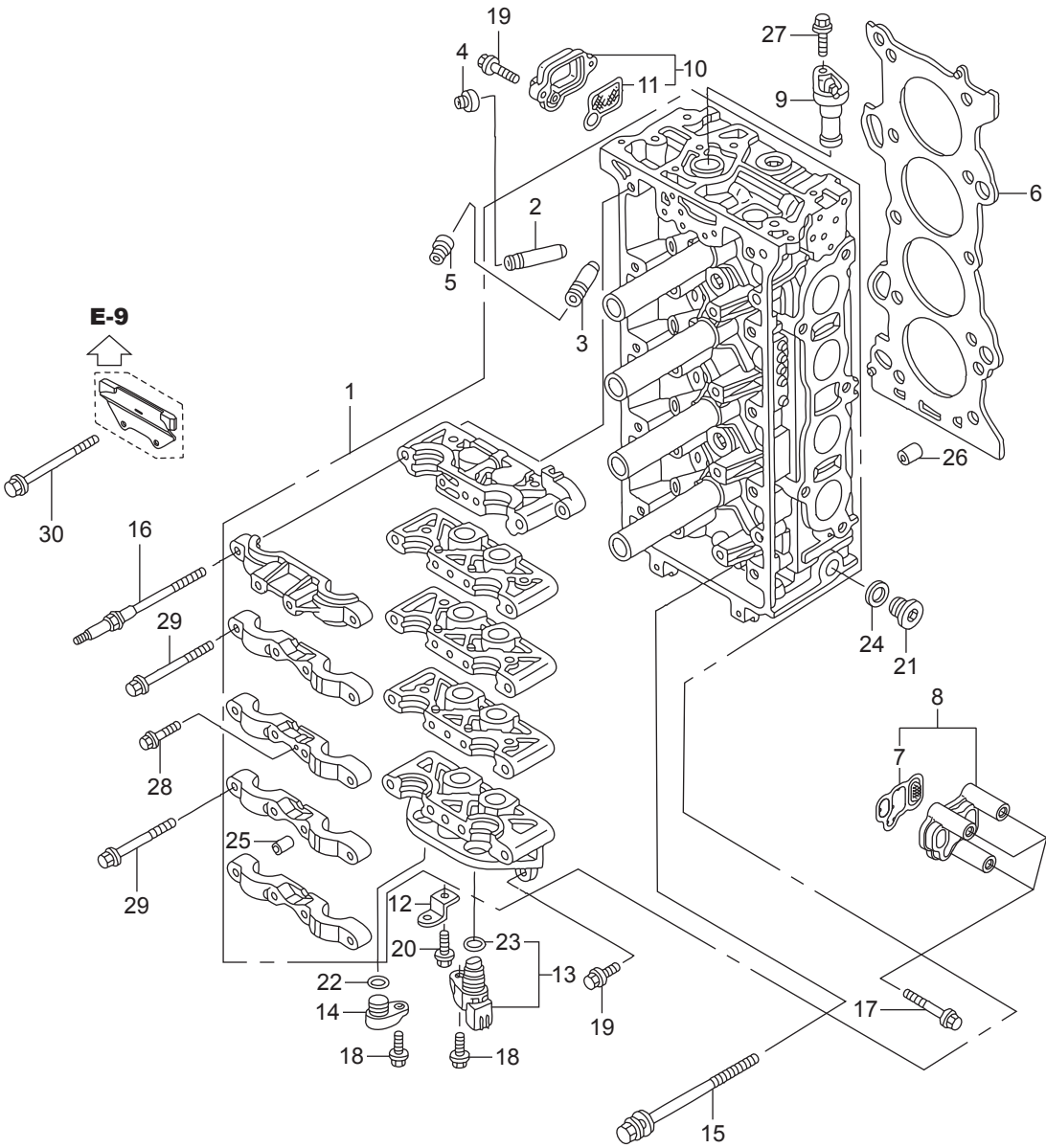


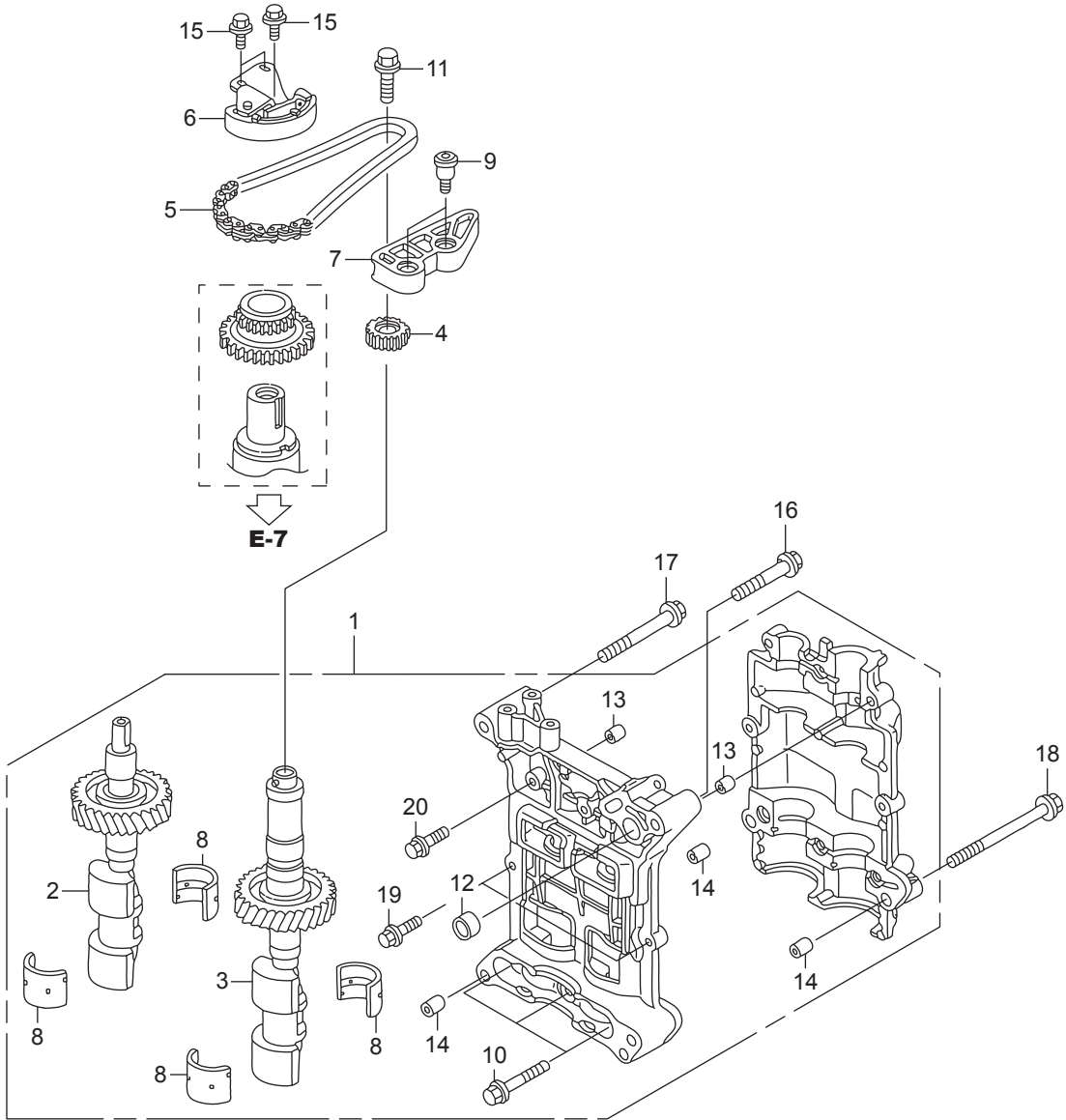
Ref.No.	Part No.	Description	Q' ty	Remarks	
			BFT115A		
E-9-10	1	HZY6-11410-445ZA	CASE ASSY., CHAIN	1	*NH8* DARK GRAY
E-9-10	2	HZY6-11412-000	COVER, CHAIN CASE	1	
E-9-10	3	HZY3-19300-023	THERMOSTAT ASSY.	1	
E-9-10	4	HZY6-19300-003	THERMOSTAT ASSY.	1	
E-9-10	5	HZY6-06191-010	SPACER KIT, THERMOSTAT COVER	1	
E-9-10	6	HZY6-19315-010	COVER, THERMOSTAT	1	
E-9-10	7	HZY6-19318-010	PACKING, THERMOSTAT COVER	1	
E-9-10					
E-9-10	9	HZY6-32112-000	BRACKET B, HARNESS CLIP	1	
E-9-10	10	HZY6-32113-000	BRACKET C, HARNESS CLIP	1	
E-9-10	11	HZW5-35673-003	SENSOR ASSY., WATER TEMPERATURE	1	
E-9-10	12	HZY3-35673-003	SENSOR ASSY., WATER TEMPERATURE	1	
E-9-10	13	HPNB-37500-003	SENSOR ASSY., CRANK	1	
E-9-10	14	HZW9-90011-000	BOLT, FLANGE, 6X14(CT200)	5	
E-9-10	15	HZY3-90016-000	BOLT, FLANGE, 6X28	13	
E-9-10	16	HZY3-90017-000	BOLT, FLANGE, 6X16	1	
E-9-10	17	HZY3-90021-000	BOLT, FLANGE, 6X14	3	
E-9-10	18	HZY6-90023-000	BOLT, SPECIAL, 6X31	2	
E-9-10	19	HZY3-90040-000	BOLT, FLANGE, 10X43	2	
E-9-10	20	HZY6-90059-000	BOLT, FLANGE, 6X38	1	
E-9-10	21	HZW4-90162-000	BOLT, FLANGE, 10X70	1	
E-9-10	22	HPNC-91212-004	OIL SEAL, 43X58X7(ARAI)	1	
E-9-10	23	HPNA-91302-004	O-RING, CHAIN CASE	1	
E-9-10	24	HZY6-91304-010	PACKING, CHAIN CASE	1	
E-9-10	25	HPK2-91307-005	O-RING, 9.5X1.5(HONDA KIKAKI)	1	
E-9-10	26	HPNA-91307-003	O-RING, 9.5X1.9	1	
E-9-10	27	HPNA-91333-003	O-RING, 15X1.9	1	
E-9-10	28	HSP0-91546-A01	CLAMP, 18.5MM	1	
E-9-10	29	HZW9-19303-003	RUBBER, RING	2	



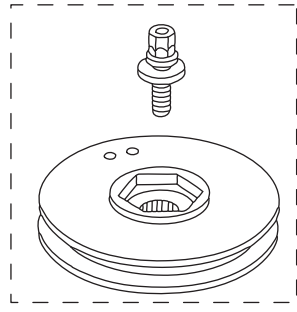
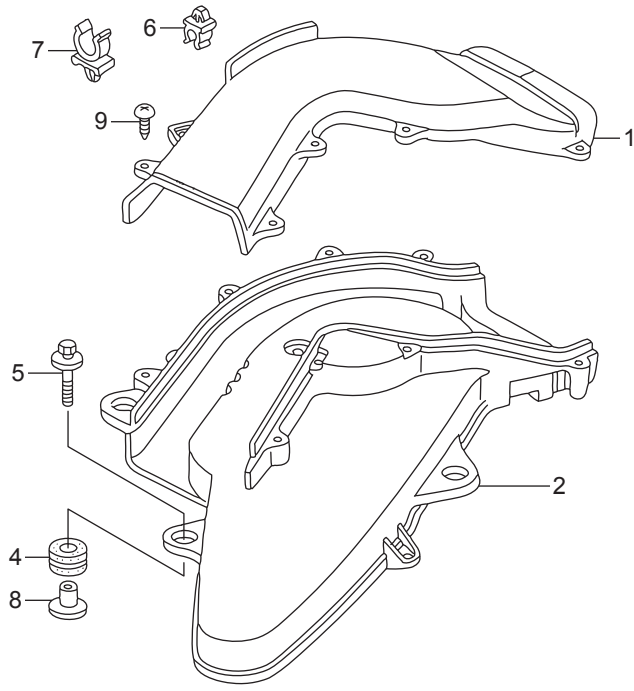


Ref.No.	Part No.	Description	Q' ty	Remarks	
			BFT115A		
E-9-20	1	HZY6-06122-010ZA	HEAD KIT, CYLINDER	1	*NH8* DARK GRAY
E-9-20	2	HPNA-12204-305	GUIDE, IN. VALVE(OS)	8	
E-9-20	3	HPNA-12205-305	GUIDE, EX. VALVE(OS)	8	
E-9-20	4	HPZ1-12210-003	SEAL A, VALVE STEM(ARAI)	8	
E-9-20	4	HPZ1-12210-004	SEAL A, VALVE STEM(NOK)	8	
E-9-20	5	HPZ1-12211-003	SEAL B, VALVE STEM(ARAI)	8	
E-9-20	5	HPZ1-12211-004	SEAL B, VALVE STEM(NOK)	8	
E-9-20	6	HZY6-12251-003	GASKET COMP., CYLINDER HEAD	1	
E-9-20	7	HRAA-15815-A02	FILTER ASSY., SPOOL VALVE	1	
E-9-20	8	HZY9-15815-000	COVER ASSY., OIL PATH	1	
E-9-20	9	HZY6-15834-000	PLUG, VTC HOLE	1	
E-9-20	10	HZY6-15840-000ZA	STRAINER ASSY., VTC	1	*NH8* DARK GRAY
E-9-20	11	HRAA-15845-A01	FILTER ASSY., VTC	1	
E-9-20	12	HZY6-32116-000	BRACKET F, CLIP	1	
E-9-20	13	HPNB-37510-003	SENSOR ASSY., TDC	1	
E-9-20	14	HZY6-37521-000	PLUG, TDC HOLE	1	
E-9-20	15	HPNA-90005-003	BOLT-WASHER, 11X155	10	
E-9-20	16	HPNA-90011-003	BOLT A, HEAD COVER	6	
E-9-20	17	HZY6-90011-000	BOLT, FLANGE, 6X52	3	
E-9-20	18	HZY3-90017-000	BOLT, FLANGE, 6X16	2	
E-9-20	19	HZW5-90018-000	BOLT, FLANGE, 6X20	4	
E-9-20	20	HZY3-90021-000	BOLT, FLANGE, 6X14	1	
E-9-20	21	HZY6-90048-010	BOLT, SEALING, 20MM	1	
E-9-20	22	HZY6-91303-003	O-RING, 15X1.9	1	
E-9-20	23	HPNA-91333-003	O-RING, 15X1.9	1	
E-9-20	24	HCO-94109-20000	WASHER, DRAIN PLUG, 20MM	1	
E-9-20	25	HCO-94301-10160	DOWEL PIN, 10X16	20	
E-9-20	26	HCO-94301-14200	DOWEL PIN, 14X20	2	
E-9-20	27	HCO-95701-06020-08	BOLT, FLANGE, 6X20	1	

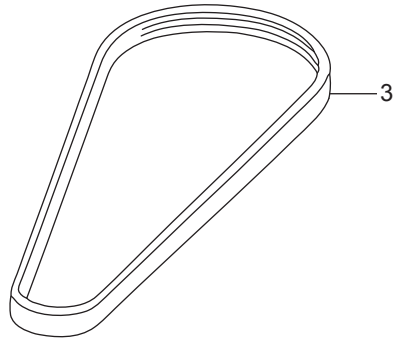


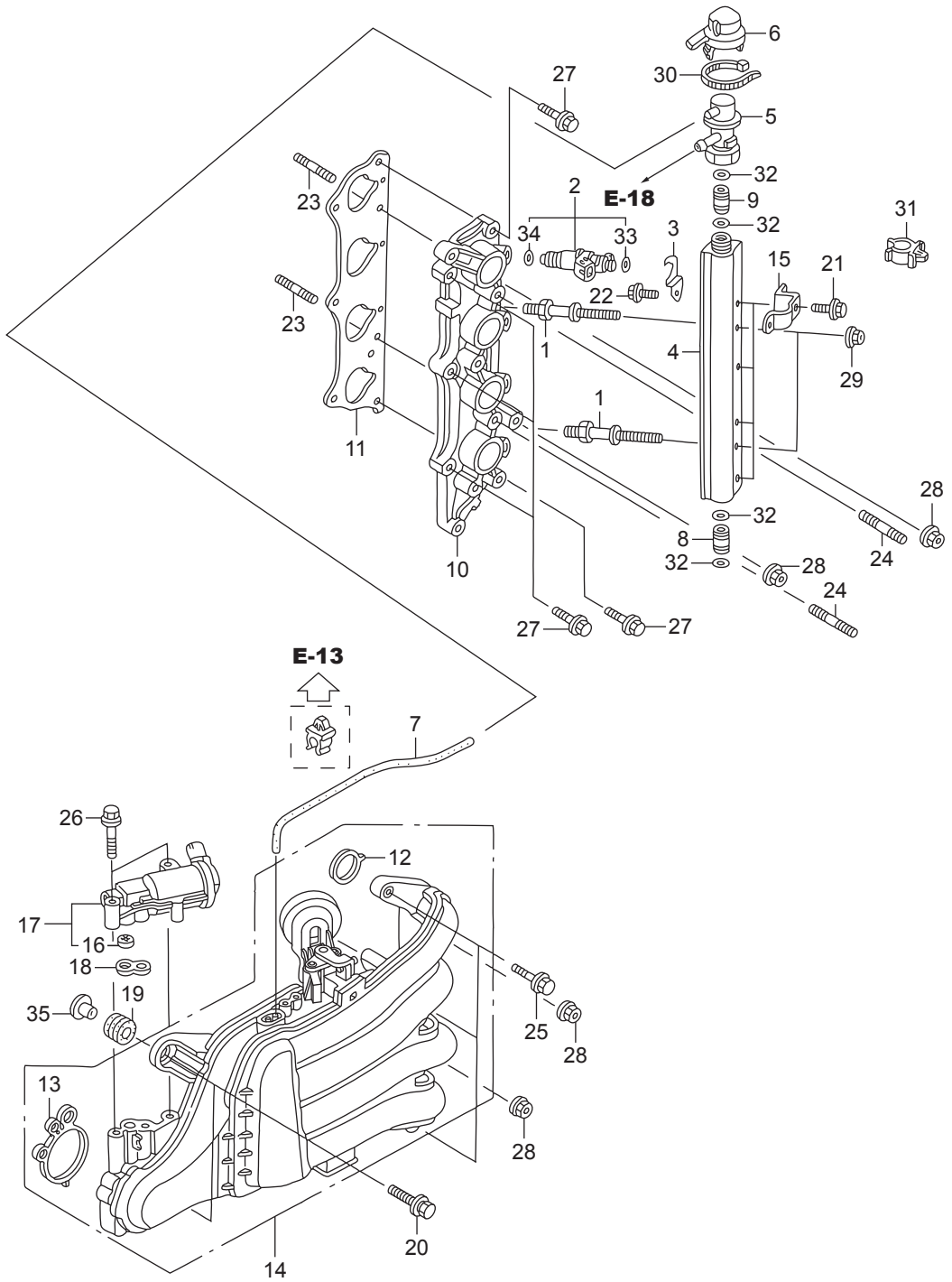


Ref.No.		Part No.	Description	Q' ty	Remarks
				BFT115A	
E-10	1	HZY6-13400-000	CASE ASSY., BALANCER HOLDER	1	
E-10	2	HRAD-13410-010	SHAFT COMP., FR. BALANCER	1	
E-10	3	HRAD-13420-010	SHAFT COMP., RR. BALANCER	1	
E-10	4	HPNA-13432-000	SPROCKET, DRIVEN(17T)	1	
E-10	5	HPNA-13441-004	CHAIN(62L)	1	
E-10	6	HPNA-13450-004	TENSIONER COMP., BALANCER SHAFT CHAIN	1	
E-10	7	HPNA-13460-004	GUIDE COMP., BALANCER SHAFT CHAIN	1	
E-10	8	HR40-15115-A01	METAL, BALANCER SHAFT(DAIDO)	4	
E-10	9	HPNA-90004-000	BOLT, CHAIN GUIDE	2	
E-10	10	HZY6-90020-000	BOLT, FLANGE, 8X55	3	
E-10	11	HPNA-90031-004	BOLT-WASHER, 10X30	1	
E-10	12	HZY6-90701-000	DOWEL PIN, 18X13	1	
E-10	13	HCO-94301-08100	DOWEL PIN, 8X10	2	
E-10	14	HCO-94301-12160	PIN A, DOWEL, 12X16	3	
E-10	15	HCO-95701-06014-08	BOLT, FLANGE, 6X14	3	
E-10	16	HCO-95701-08050-08	BOLT, FLANGE, 8X50	1	
E-10	17	HCO-95701-08075-08	BOLT, FLANGE, 8X75	1	
E-10	18	HCO-95701-10105-08	BOLT, FLANGE, 10X105	2	
E-10	19	HCO-96300-06025-00	BOLT, FLANGE, 6X25	2	
E-10	20	HCO-96300-06032-00	BOLT, FLANGE, 6X32	3	



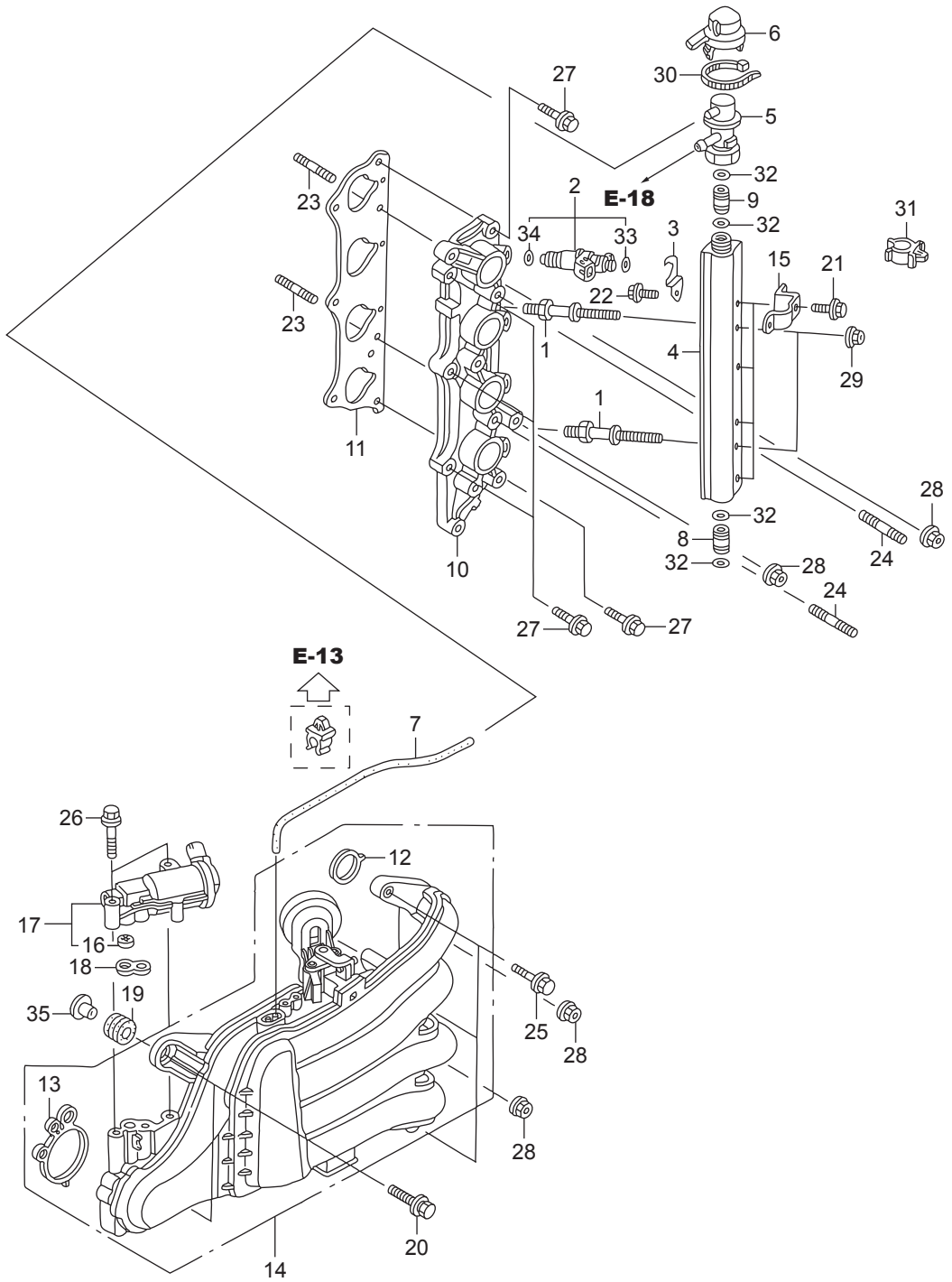
FR. →

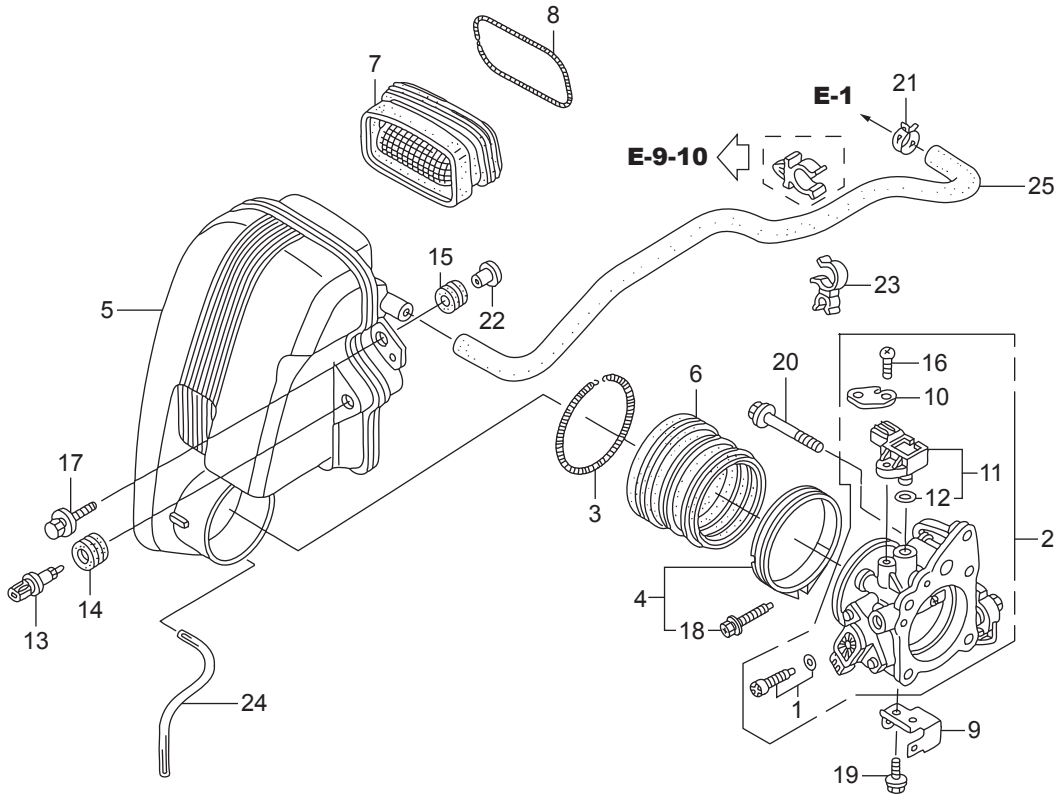




←FR.

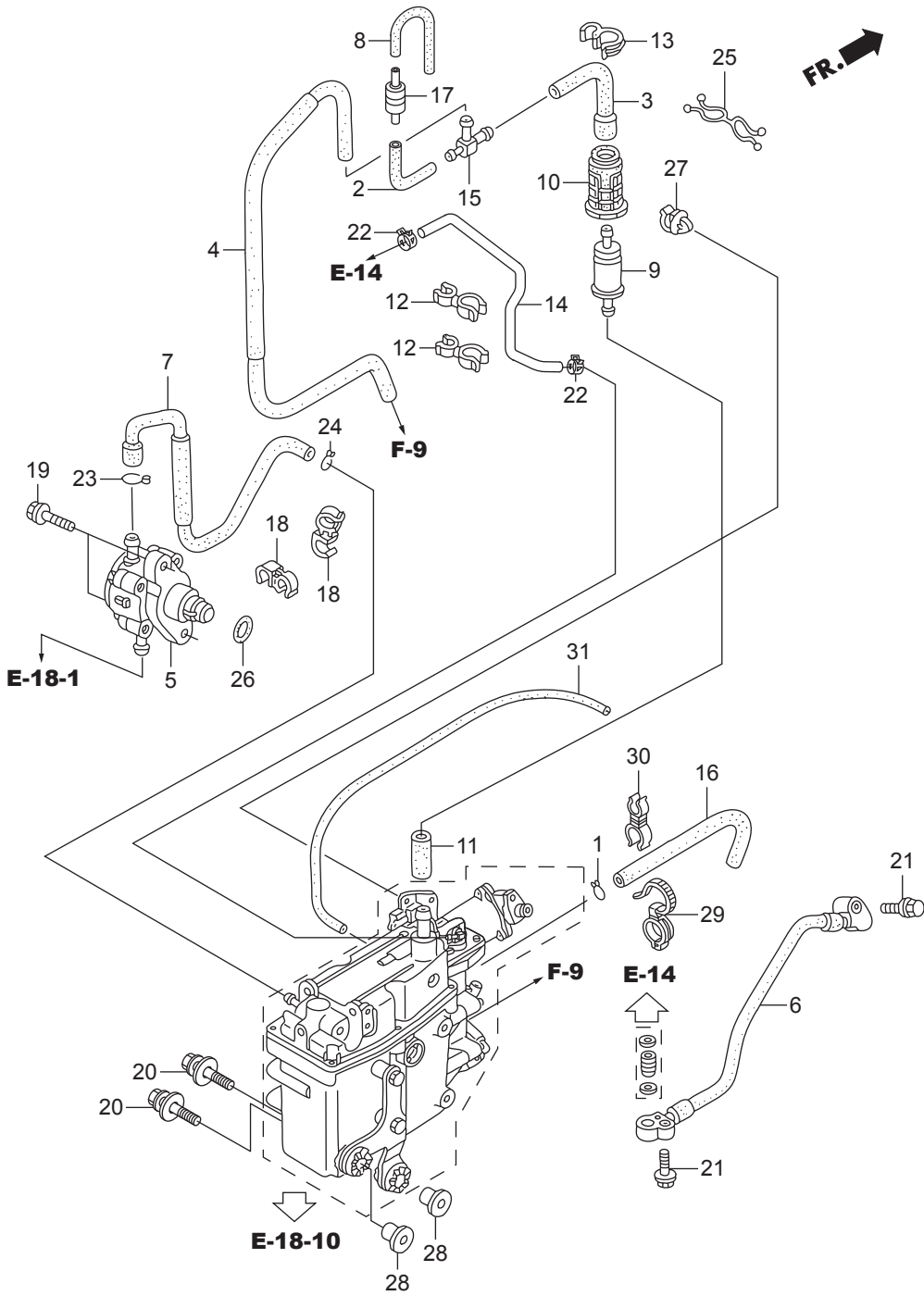
Ref.No.	Part No.	Description	Q' ty	Remarks	
			BFT115A		
E-14	1	HZY6-16089-000	BOLT, FUEL PIPE	2	
E-14	2	HZY6-16450-003	INJECTOR ASSY., FUEL	4	
E-14	3	HZY6-16451-000	CLIP, INJECTOR	4	
E-14	4	HZY6-16621-000	LINE, FUEL	1	
E-14	5	HZY6-16740-003	REGULATOR ASSY., PRESSURE	1	
E-14	6	HZY6-16744-010	CAP, REGULATOR	1	
E-14	7	HZY6-16748-000	TUBE, PRESSURE REGULATOR CONTROL	1	
E-14	8	HZY3-16752-000	JOINT, FUEL PIPE	1	
E-14	9	HZY6-16752-000	JOINT, FUEL PIPE	1	
E-14	10	HZY6-17051-000ZA	BASE, INJECTOR	1	*NH8* DARK GRAY
E-14	11	HPNA-17055-004	GASKET A, INJECTOR BASE	1	
E-14	12	HZY6-17105-000	PACKING, INTAKE MANIFOLD	4	
E-14	13	HZY6-17109-000	PACKING, THROTTLE BODY	1	
E-14	14	HZX1-17110-003	MANIFOLD COMP., INLET	1	
E-14	15	HZY6-32111-000	BRACKET A, HARNESS CLIP	4	
E-14	16	HPS4-36454-003	FILTER COMP., ELECTRONIC AIR CONTROL VALVE	1	(TOYO ROKI)
E-14	17	HZY6-36550-003	VALVE ASSY., ELECTRONIC AIR CONTROL	1	
E-14	18	HZY6-36551-003	PACKING, ELECTRONIC AIR CONTROL VALVE	1	
E-14	19	H121-51640-730	RUBBER, FR. CARRIER CUSHION	2	
E-14	20	HZW1-90014-000	BOLT-WASHER, 8X35	2	
E-14	21	HZY3-90021-000	BOLT, FLANGE, 6X14	4	
E-14	22	HZY3-90042-000	BOLT, FLANGE, 6X10	4	
E-14	23	HZY6-90043-000	BOLT, STUD 2, 8X25	2	
E-14	24	HZY6-90047-000	BOLT, STUD, 8X32	2	
E-14	25	HZY3-90054-000	BOLT, FLANGE, 8X35	3	
E-14	26	HZW4-90126-000	BOLT, FLANGE, 8X45	2	
E-14	27	HZW4-90151-000	BOLT, FLANGE, 8X25	5	
E-14	28	HZY3-90205-000	NUT, FLANGE, 8MM	4	
E-14	29	HZW2-90301-F00	NUT, FLANGE, 6MM	2	



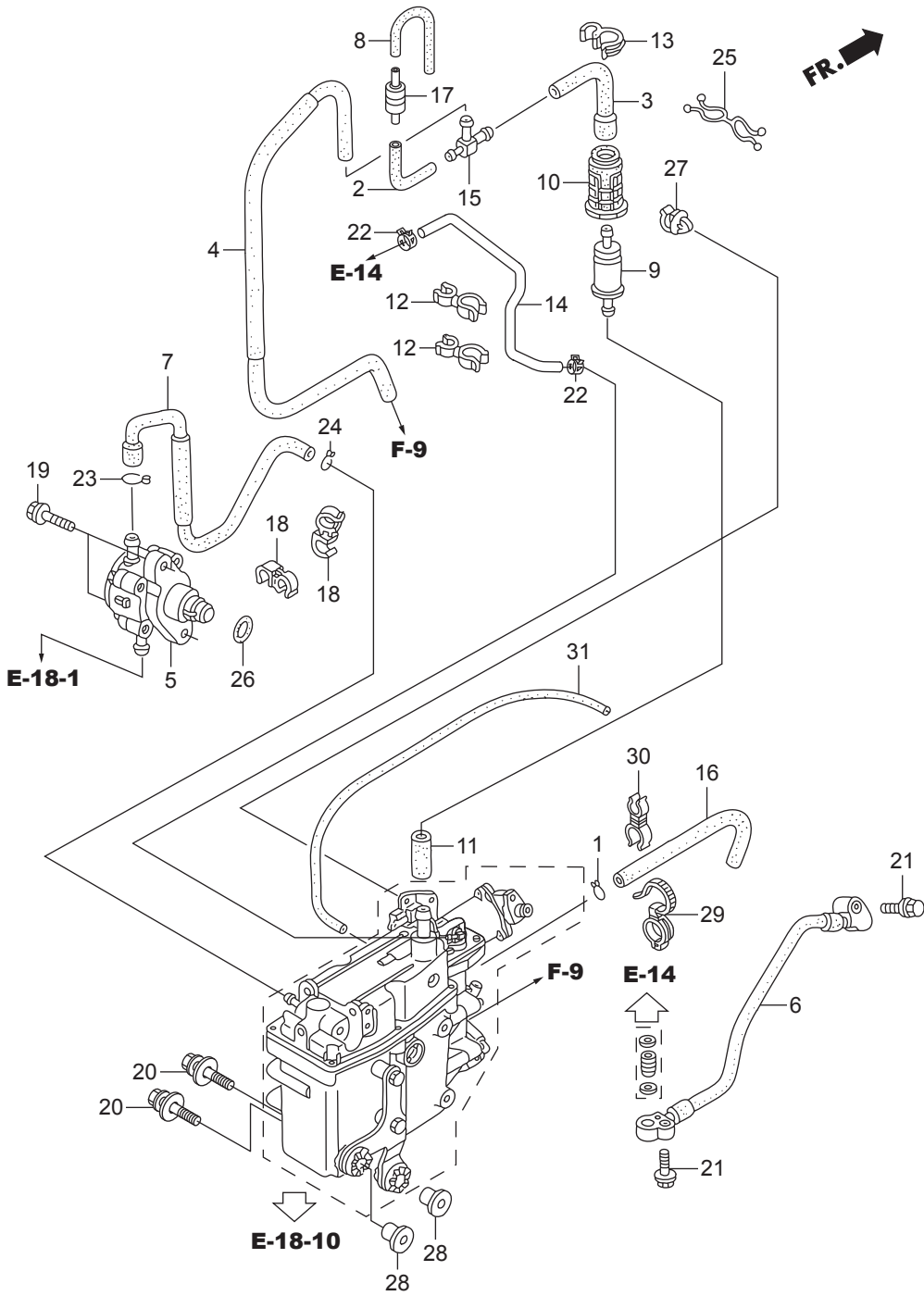


FR.

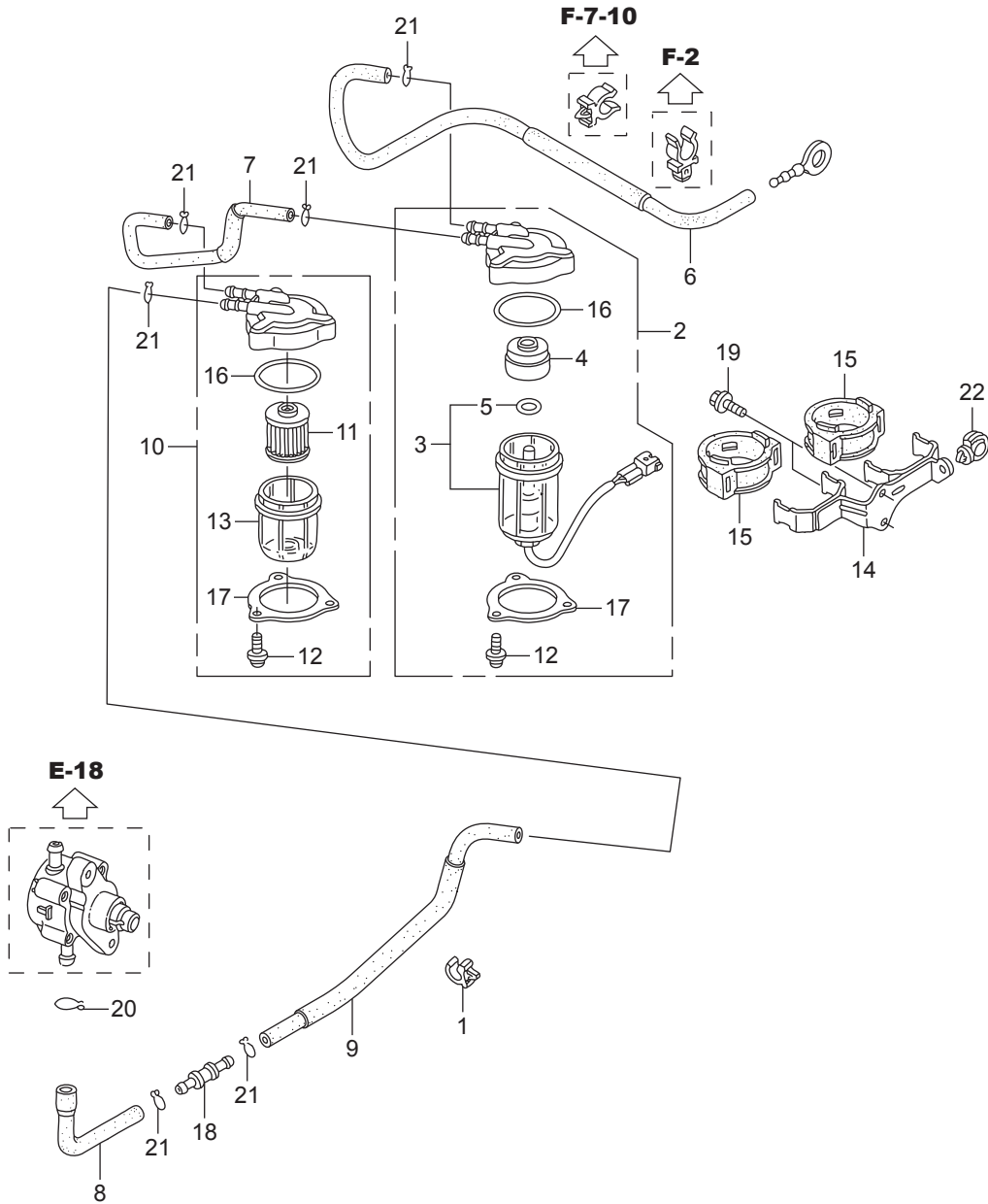
Ref.No.	Part No.	Description	Q' ty	Remarks	
			BFT115A		
E-15	1	HZY6-16016-003	SCREW SET	1	
E-15	2	HZY6-16400-013	THROTTLE BODY ASSY.	1	
E-15	3	HPY3-17249-000	SPRING, AIR FLOW TUBE	1	
E-15	4	HZY9-17315-000	BAND, AIR FLOW	1	
E-15	5	HZY6-17371-020	CASE COMP., SILENCER	1	
E-15	6	HZY6-17374-000	GROMMET, SILENCER	1	
E-15	7	HZY6-17397-013	GROMMET, SILENCER DUCT	1	
E-15	8	HZY6-17398-000	SPRING, SILENCER DUCT GROMMET	1	
E-15	9	HZY6-32115-000	BRACKET E, HARNESS CLIP	1	
E-15	10	HZY3-32128-000	BRACKET, SENSOR CORD	1	
E-15	11	HRNA-37830-A01	SENSOR ASSY., MAP	1	
E-15	12	HPGK-37835-A01	O-RING	1	
E-15	13	HPLC-37880-004	SENSOR ASSY., AIR TEMP	1	(MATSUSHITA DENSHI)
E-15	14	HP2A-37881-000	GROMMET, TA SENSOR	1	
E-15	15	HZV5-40102-000	GROMMET, UNDER CASE	3	
E-15	16	HZY6-90006-000	SCREW, PAN, 5X18	1	
E-15	17	HZW1-90013-000	BOLT-WASHER, 6X25	3	
E-15	18	HZY9-90017-000	BOLT-WASHER, 5X30	1	
E-15	19	HZY3-90056-000	BOLT, FLANGE, 6X12	1	
E-15	20	HZV1-90127-010	BOLT, FLANGE, 8X60	4	
E-15	21	HZV3-90601-030	CLAMP, TUBE(D17)	1	
E-15	22	HZV5-91553-010	COLLAR, C.D.I. UNIT CASE	3	
E-15	23	HSF1-91595-003	CLAMP, FUEL HOSE	1	
E-15	24	HCO-95003-07016-31	TUBE, VINYL, 4X7X160	1	(HC-95003-07001-60M)
E-15	25	HCO-95005-12740-20	TUBE, 12X740	1	(HC-95005-12001-20M)



Ref.No.	Part No.	Description	Q' ty	Remarks	
			BFT115A		
E-18	1	HGHB-16163-610	CLIP, TUBE	1	
E-18	2	HZY6-16196-000	TUBE COMP. C, AIR VENT	1	
E-18	3	HZY6-16198-000	TUBE B, AIR VENT	1	
E-18	4	HZY6-16199-000	TUBE COMP., AIR VENT	1	
E-18	5	HZY6-16700-013	PUMP ASSY., FUEL	1	
E-18	6	HZY6-16755-003	HOSE COMP., FUEL	1	
E-18	7	HZY6-16860-A00	TUBE COMP. B, FUEL	1	
E-18	8	HZV5-16881-000	TUBE D, FUEL	1	
E-18	9	H759-16911-003	STRAINER, FUEL PUMP	1	
E-18	10	HZW5-16915-000	SUSPENSION, STRAINER	1	
E-18	11	HMZ5-16952-000	TUBE B, FUEL	1	
E-18	12	HVM0-16965-771	CLAMP, HOSE	2	
E-18	13	HKV7-17368-671	CLAMP, PIPE	1	
E-18	14	HZY6-17723-020	HOSE, PRESSURE REGULATOR RETURN	1	
E-18	15	HZY6-19269-000	T-JOINT	1	
E-18	16	HZY6-19273-000	TUBE G, WATER	1	
E-18	17	HZY6-36135-003	VALVE, CHECK	1	
E-18	18	HSE0-53740-953	CLIP, SENSOR HOSE	2	
E-18	19	HZY6-90010-000	BOLT, FLANGE, 6X27	2	
E-18	20	HZW1-90014-000	BOLT-WASHER, 8X35	2	
E-18	21	HZW9-90016-000	BOLT, FLANGE, 6X25	2	
E-18	22	HZW5-90601-030	CLAMP, TUBE(D10.7)	2	
E-18	23	HZY6-90601-000	CLIP, TUBE(B1 14.5)	1	
E-18	24	HZV0-90604-000	CLIP, TUBE(B12)	1	
E-18	25	HZY6-90605-003	CLIP, FUEL HOSE	1	
E-18	26	HPA9-91317-003	O-RING, 33.2X2.4(NOK)	1	
E-18	27	HSE0-91547-003	CLIP, HARNESS	1	
E-18	28	HZW1-91554-000	COLLAR, 8.5X14.5	2	
E-18	29	HSM4-91558-003	CLIP, TUBE(BLACK)(135MM)	1	

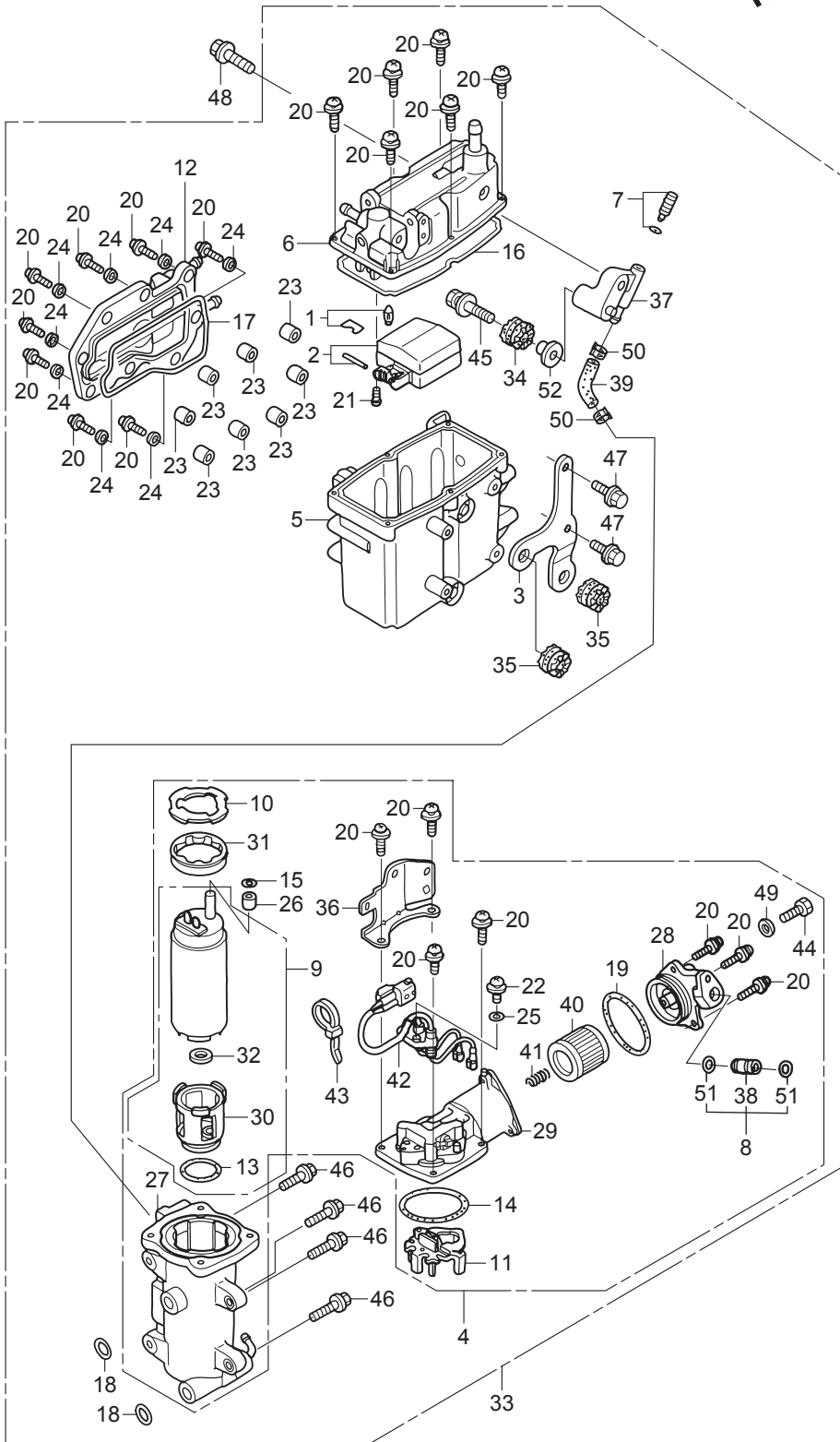


FR. →



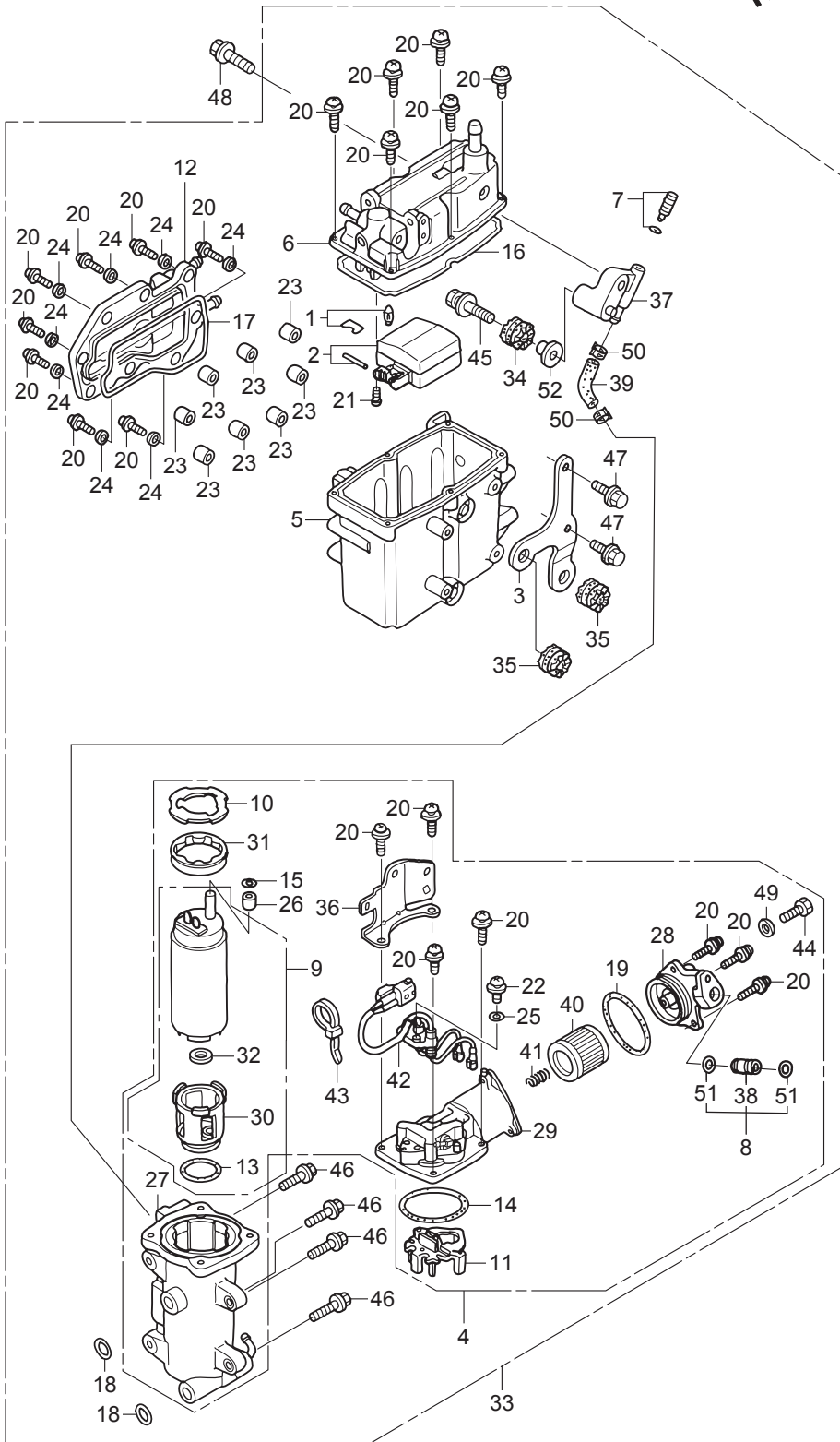
Ref.No.	Part No.	Description	Q' ty	Remarks	
			BFT115A		
E-18-1	1	HZE2-16731-003	CLIP, TUBE	1	
E-18-1	2	HZY6-16800-003	SEPARATOR ASSY., WATER	1	
E-18-1	3	HZY6-16805-003	CUP SET, WATER SEPARATOR	1	
E-18-1	4	HZY3-16807-003	BUFFER, PLATE	1	
E-18-1	5	HZY3-16818-003	O-RING	1	
E-18-1	6	HZY6-16850-A01	TUBE COMP. A, FUEL(FKM)	1	
E-18-1	7	HZY6-16871-A00	TUBE COMP. C, FUEL	1	
E-18-1	8	HZY6-16881-A00	TUBE D, FUEL	1	
E-18-1	9	HZY6-16890-A00	TUBE COMP. E, FUEL	1	
E-18-1	10	HZY3-16900-003	STRAINER COMP., FUEL	1	
E-18-1	11	HZY3-16901-003	STRAINER, FUEL	1	
E-18-1	12	HZY3-16904-003	SCREW, PAN, 5X12	6	
E-18-1	13	HZY3-16912-003	CUP, FUEL STRAINER	1	
E-18-1	14	HZY6-16914-010	STAY, FUEL STRAINER	1	
E-18-1	15	HZY3-16915-010	SUSPENSION, STRAINER	2	
E-18-1	16	HZY3-16918-003	O-RING	2	
E-18-1	17	HZY3-16919-003	PLATE	2	
E-18-1	18	HMR5-16966-000	JOINT, FUEL TUBE	1	
E-18-1	19	HZY3-90021-000	BOLT, FLANGE, 6X14	2	
E-18-1	20	HZY6-90601-000	CLIP, TUBE(B1 14.5)	1	
E-18-1	21	HZV0-90604-000	CLIP, TUBE(B12)	6	
E-18-1	22	HSA0-90683-003	CLIP, WIRE HARNESS, 25MM	1	

FR. →



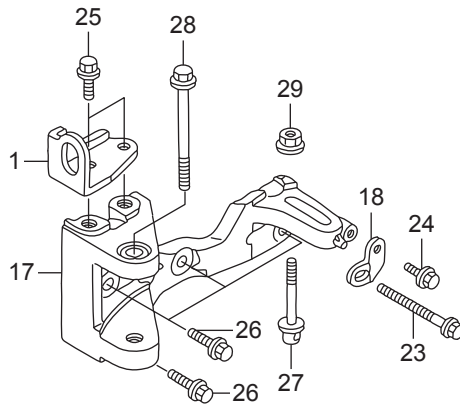
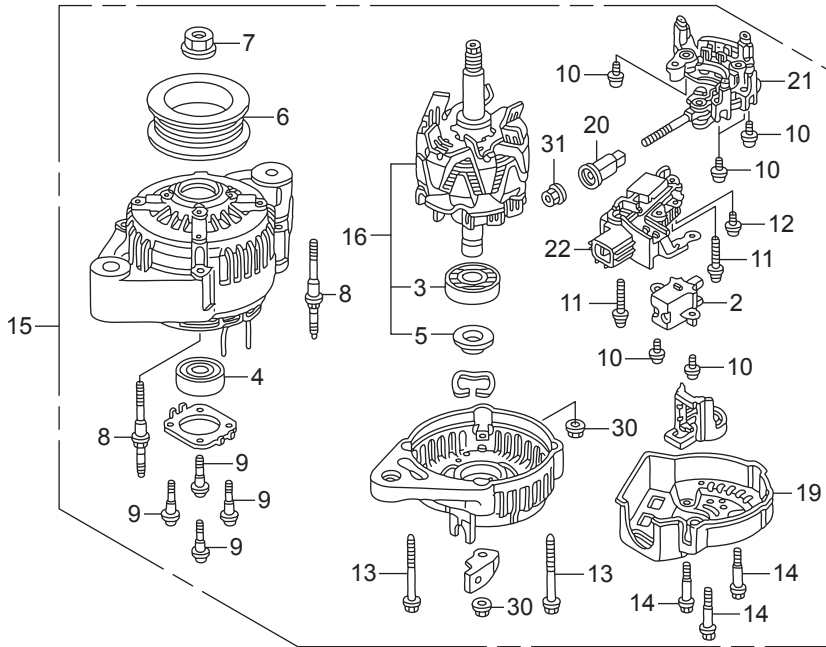
Ref.No.	Part No.	Description	Q' ty	Remarks	
			BFT115A		
E-18-10	1	HZY3-16011-000	VALVE SET, FLOAT	1	
E-18-10	2	HZY3-16013-000	FLOAT SET	1	
E-18-10	3	HZY6-16014-003	STAY A, PLATE	1	
E-18-10	4	HZY6-16017-043	PUMP UNIT, FUEL	1	
E-18-10	5	HZY6-16019-003	BODY COMP., CHAMBER	1	
E-18-10	6	HZY6-16020-023	COVER COMP.	1	
E-18-10	7	HZY3-16024-000	SCREW SET, DRAIN	1	
E-18-10	8	HZY3-16026-000	JOINT SET	1	
E-18-10	9	HZY6-16036-003	PUMP UNIT, FUEL(B)	1	
E-18-10	10	HZY3-16041-000	PLATE	1	
E-18-10	11	HZY3-16042-000	HOLDER	1	
E-18-10	12	HZY3-16061-000	COVER, WATER JACKET	1	
E-18-10	13	HZY3-16072-000	O-RING	1	
E-18-10	14	HZY3-16073-000	O-RING	1	
E-18-10	15	HZY3-16074-000	O-RING	1	
E-18-10	16	HZY3-16075-000	O-RING	1	
E-18-10	17	HZY3-16076-000	O-RING	1	
E-18-10	18	HZY3-16077-000	O-RING	2	
E-18-10	19	HZY3-16078-000	O-RING	1	
E-18-10	20	HZW5-16081-010	SCREW-WASHER	21	
E-18-10	21	HZY3-16082-000	SCREW, PAN	2	
E-18-10	22	HZY3-16083-000	SCREW, WASHER	1	
E-18-10	23	HZW5-16086-000	COLLAR	8	
E-18-10	24	HZW5-16087-000	WASHER, PLAIN	8	
E-18-10	25	HZY3-16087-000	WASHER, PLAIN	1	
E-18-10	26	HZY3-16088-000	COLLAR	1	
E-18-10	27	HZY6-16701-003	CASE COMP., PUMP	1	
E-18-10	28	HZW5-16708-003	COVER, PUMP(B)	1	
E-18-10	29	HZW5-16715-023	COVER, PUMP(A)	1	

FR. →



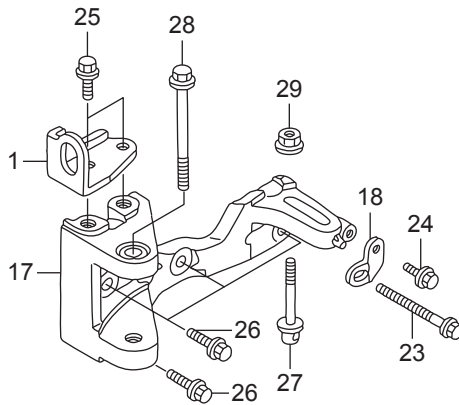
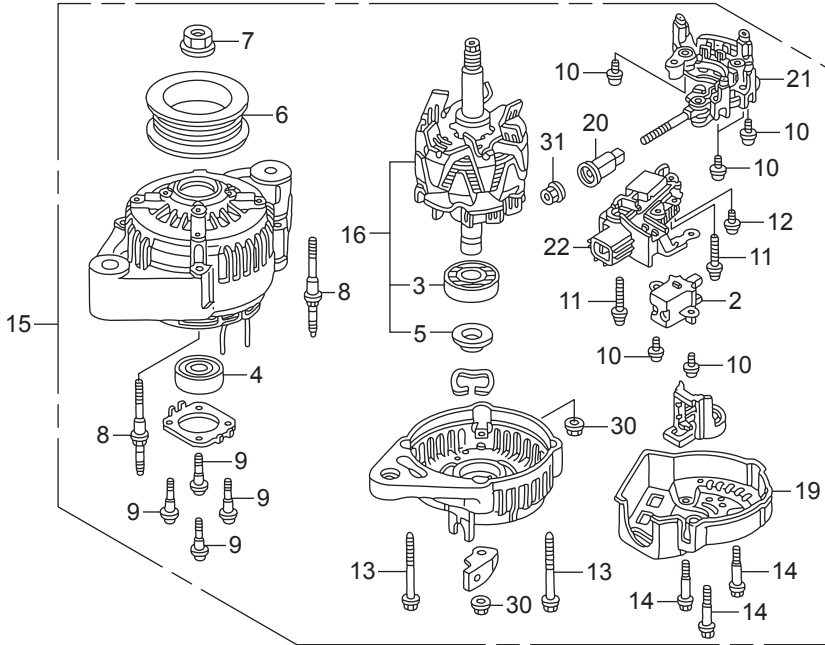
Ref.No.	Part No.	Description	Q' ty	Remarks	
			BFT115A		
E-18-10	30	HZY6-16718-013	INSULATOR COMP.	1	
E-18-10	31	HZY3-16721-000	INSULATOR	1	
E-18-10	32	HZY6-16723-003	RING	1	
E-18-10	33	HZY6-16730-063	SEPARATOR ASSY., VAPOR	1	
E-18-10	34	HZW5-16733-000	GROMMET, VAPOR SEPARATOR	1	
E-18-10	35	HZY3-16733-000	GROMMET, VAPOR SEPARATOR	2	
E-18-10	36	HZY6-16734-003	STAY, PLATE	1	
E-18-10	37	HZY6-16736-003	STAY, VAPOR SEPARATOR	1	
E-18-10	38	HZY3-16752-000	JOINT, FUEL PIPE	1	
E-18-10	39	HZY6-16840-A00	TUBE F, FUEL	1	
E-18-10	40	HZY3-16911-010	SCREEN COMP., FUEL STRAINER	1	
E-18-10	41	HZY3-16913-000	SPRING, SET	1	
E-18-10	42	HZY6-32166-003	HARNESS COMP.	1	
E-18-10	43	HZW5-32168-003	BAND	1	
E-18-10	44	HPP4-90009-E01	BOLT, SEALING, 6MM	1	
E-18-10	45	HZW1-90014-000	BOLT-WASHER, 8X35	1	
E-18-10	46	HZW9-90016-000	BOLT, FLANGE, 6X25	4	
E-18-10	47	HZY3-90017-000	BOLT, FLANGE, 6X16	2	
E-18-10	48	HZY3-90049-000	BOLT, FLANGE, 8X30	1	
E-18-10	49	HPD6-90430-003	WASHER, SEALING, 6MM	1	
E-18-10	50	HZY6-90607-000	CLAMP, TUBE(8.0)	2	
E-18-10	51	HMJ0-91301-003	O-RING, 7.8X1.9(ARAI)	2	
E-18-10	52	HZW1-91554-000	COLLAR, 8.5X14.5	1	

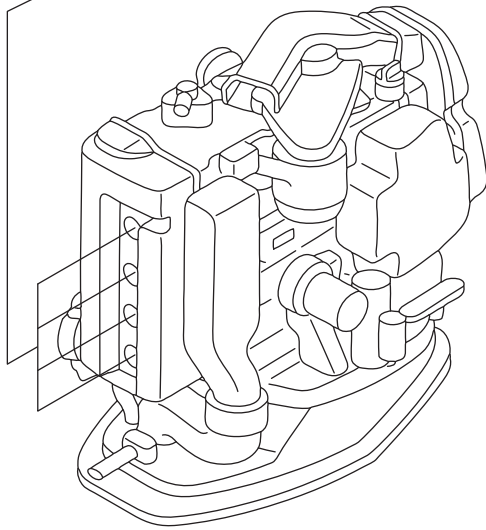
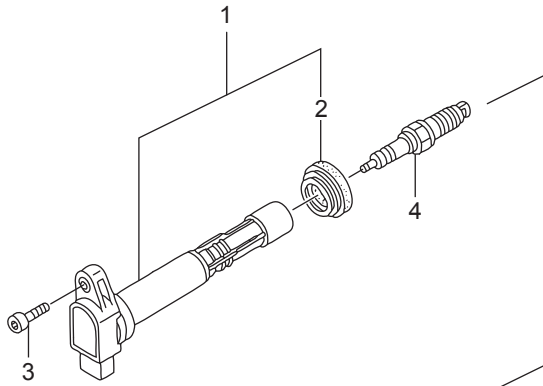
FR. 



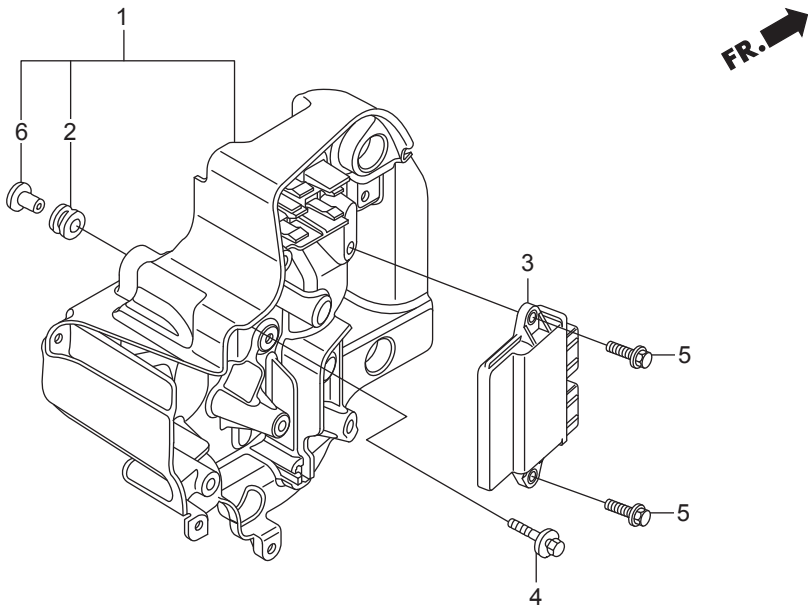
Ref.No.	Part No.	Description	Q' ty	Remarks	
			BFT115A		
E-19	1	HZY6-11912-000	HANGER B, ENGINE	1	
E-19	2	HPZ1-31105-003	HOLDER ASSY., BRUSH	1	
E-19	3	HPJ7-31111-013	BEARING, RR.	1	
E-19	4	HPJ7-31114-013	BEARING, FR.	1	
E-19	5	HPD1-31138-004	COVER, BEARING	1	
E-19	6	HP64-31141-003	PULLEY	1	
E-19	7	HPD1-31142-004	NUT, PULLEY LOCK	1	
E-19	8	HPE9-31145-941	BOLT, STUD	2	
E-19	9	HPJ7-31146-003	SCREW	4	
E-19	10	HPT0-31147-003	SCREW-WASHER	6	
E-19	11	HPD1-31148-004	SCREW-WASHER, 4X25	2	
E-19	12	HPZ1-31149-003	SCREW	1	
E-19	13	HPE9-31152-942	BOLT-WASHER	2	
E-19	14	HPZ1-31153-003	BOLT	3	
E-19	15	HZY6-31630-003	GENERATOR ASSY., A.C.	1	#~1005765
E-19	15	HZY6-31630-013	GENERATOR ASSY., A.C.	1	#1005766~
E-19	16	HZW5-31631-003	ROTOR ASSY.	1	
E-19	17	HZY6-31636-010	BRACKET COMP., A.C. GENERATOR	1	
E-19	18	HZY6-31637-000	STAY, A.C. GENERATOR	1	
E-19	19	HZW5-31639-003	END COVER, RR.	1	
E-19	20	HZW5-31644-003	BUSH, INSULATION	1	
E-19	21	HZW5-31710-003	RECTIFIER ASSY.	1	
E-19	22	HZY6-31750-003	REGULATOR ASSY.	1	
E-19	23	HZW5-90011-010	BOLT, SPECIAL ADJUSTER	1	
E-19	24	HZY3-90017-000	BOLT, FLANGE, 6X16	1	
E-19	25	HZY3-90026-000	BOLT, FLANGE, 8X20	2	
E-19	26	HZY3-90035-000	BOLT, FLANGE, 8X28	4	
E-19	27	HZY3-90055-000	BOLT, TENSIONER	1	
E-19	28	HZW4-90163-000	BOLT, FLANGE, 10X80	1	

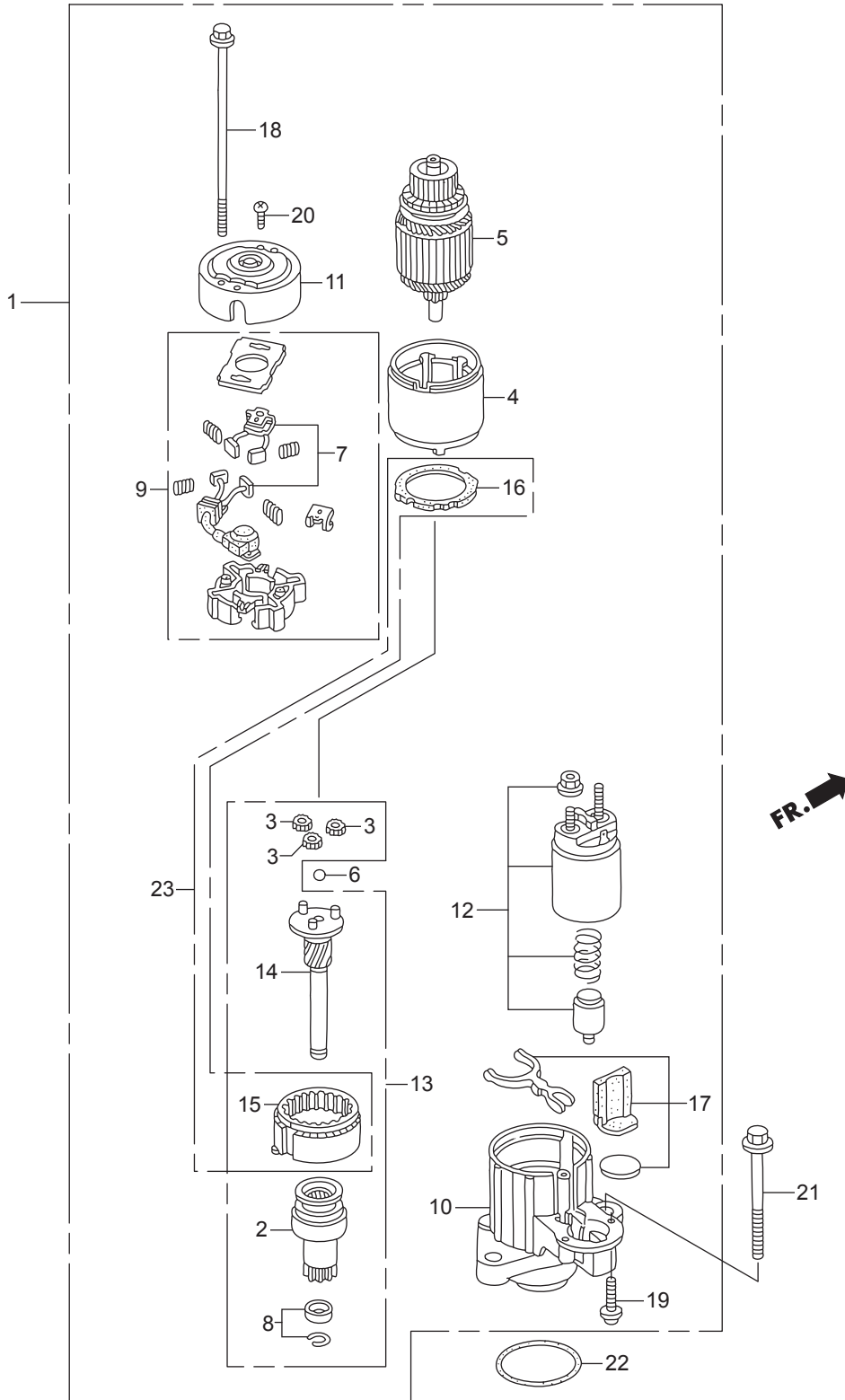
FR. 



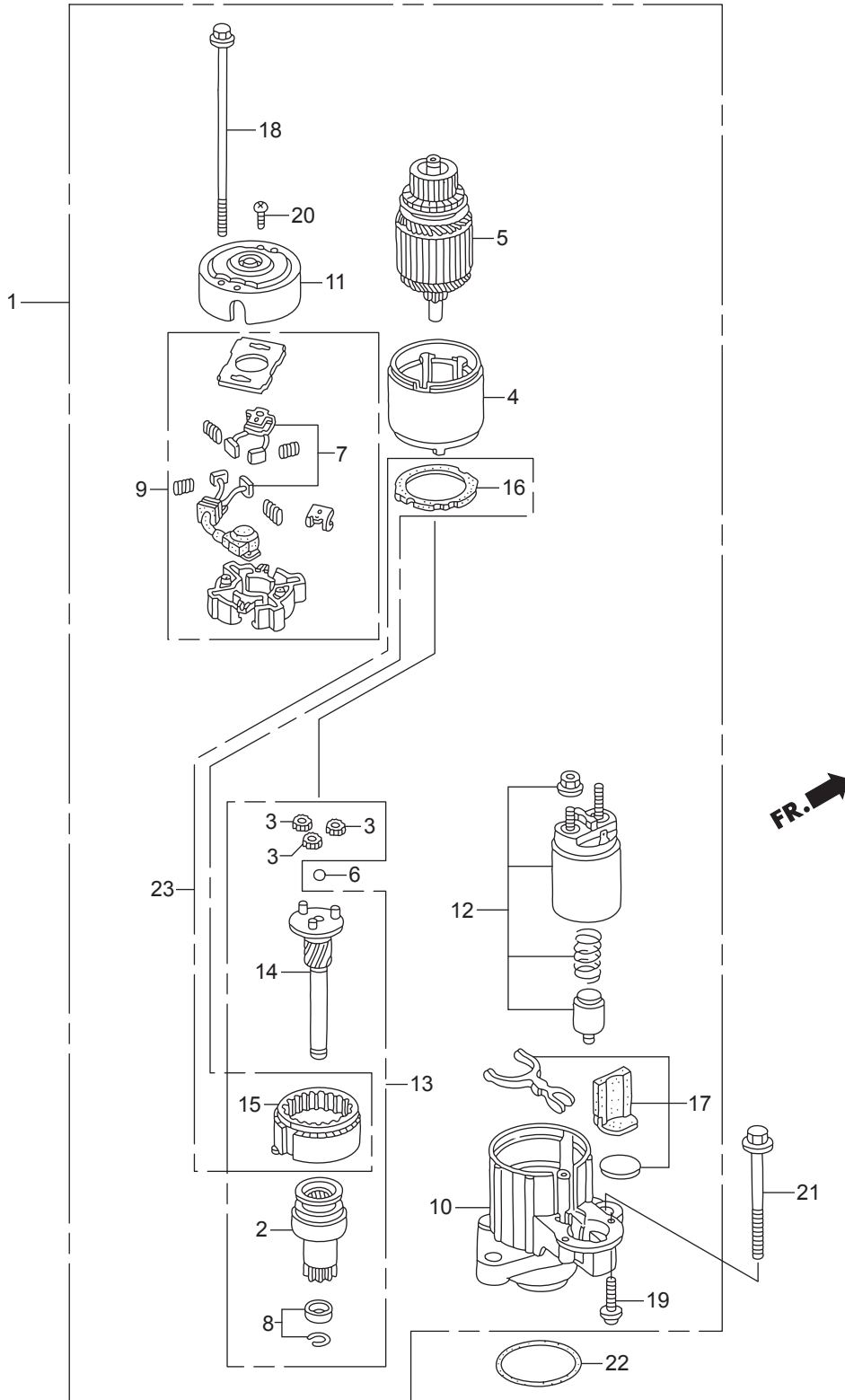


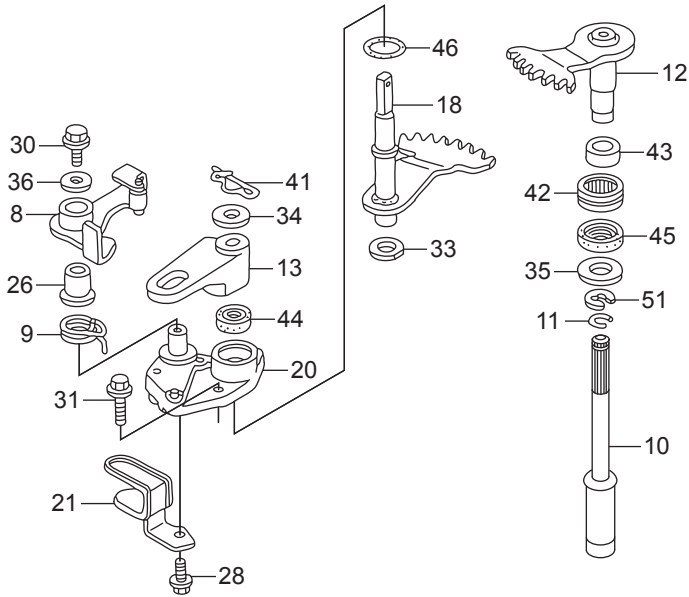
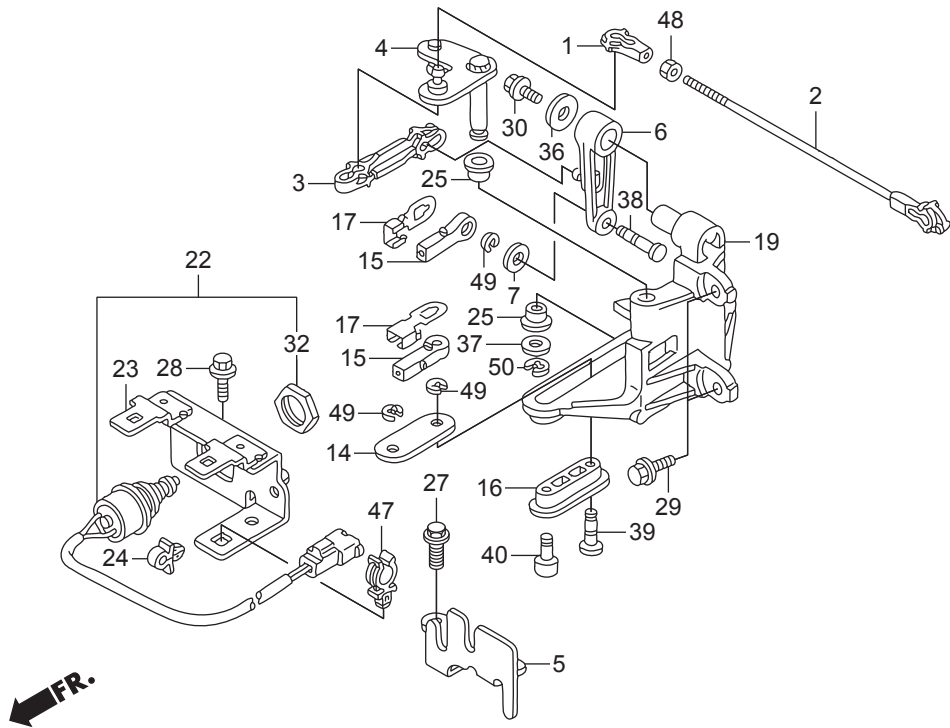
FR. →



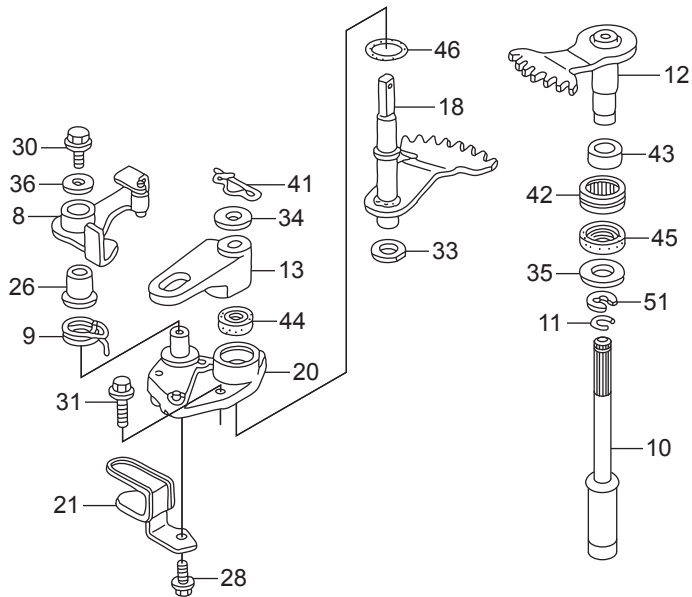
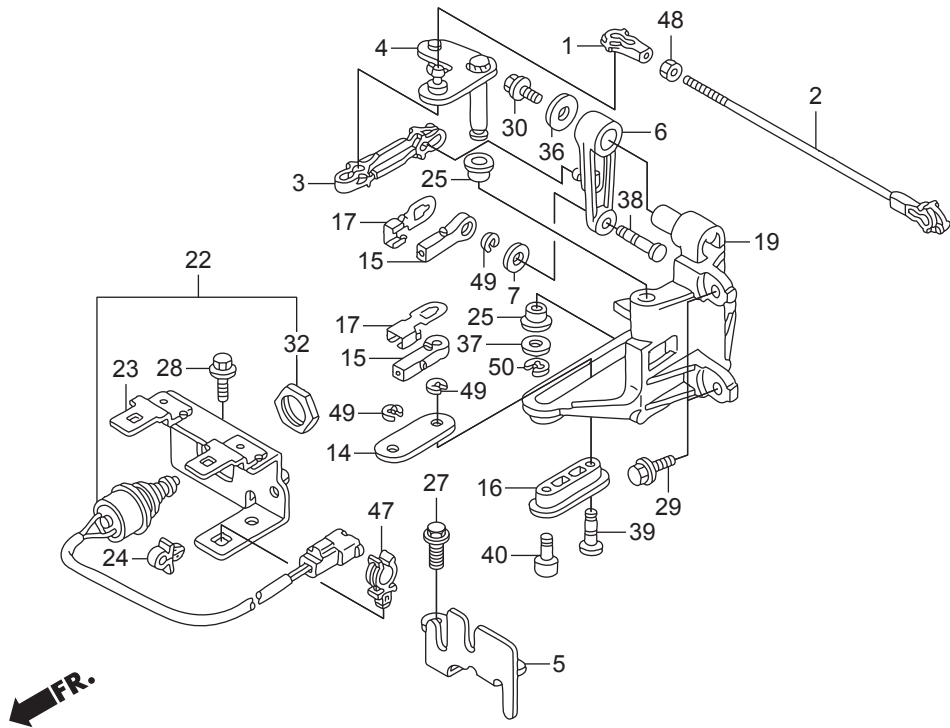


Ref.No.	Part No.	Description	Q' ty	Remarks	
			BFT115A		
E-21	1	HZY6-31200-003	MOTOR ASSY., STARTER	1	
E-21	2	HZY3-31207-003	CLUTCH COMP., OVERRUNNING	1	#~1004968 #~6000047
E-21	2	HZY9-31207-H01	CLUTCH COMP., OVERRUNNING	1	#1004969~ #6000048~
E-21	3	HPY3-31215-004	GEAR ASSY., PLANETARY	3	
E-21	4	HZY6-31216-003	YOKE COMP.	1	
E-21	5	HZW5-31217-003	ROTOR COMP.	1	
E-21	6	HPY3-31218-004	BALL, STEEL	1	
E-21	7	HZY6-31226-003	BRUSH SET	1	#~1004968 #~6000047
E-21	7	HZY6-31227-003	BRUSH SET	1	#1004969~ #6000048~
E-21	8	HZW1-31229-004	STOPPER SET, SLEEVE	1	#~1004968 #~6000047
E-21	8	HZY9-31229-H01	STOPPER SET, SLEEVE	1	#1004969~ #6000048~
E-21	9	HZY6-31231-003	HOLDER COMP., BRUSH	1	#~1004968 #~6000047
E-21	9	HZY6-31232-003	HOLDER COMP., BRUSH	1	#1004969~ #6000048~
E-21	10	HZY6-31235-003	BRACKET, FR.	1	
E-21	11	HZY6-31236-003	BRACKET, RR.	1	
E-21	12	HZY6-31240-003	SWITCH ASSY., MAGNET	1	#~1004968 #~6000047
E-21	12	HZY9-31240-003	SWITCH ASSY., MAGNET	1	#1004969~ #6000048~
E-21	13	HZY6-31242-003	SHAFT ASSY., CLUTCH	1	#~1004968 #~6000047
E-21	13	HZY9-31242-H01	SHAFT ASSY., CLUTCH	1	#1004969~ #6000048~
E-21	14	HZY3-31246-003	SHAFT ASSY., GEAR	1	#~1004968 #~6000047
E-21	14	HZY9-31246-H01	SHAFT ASSY., GEAR	1	#1004969~ #6000048~
E-21	15	HZW1-31247-004	GEAR ASSY.,INTERNAL	1	#~1004968 #~6000047
E-21	16	HZW1-31249-004	PACKING	1	#~1004968 #~6000047
E-21	17	HZW1-31250-004	LEVER SET	1	
E-21	18	HZW1-31261-004	BOLT A, THROUGH	2	
E-21	19	HZW1-90106-004	SCREW, PAN, 6X22(SPECIAL)	2	#~1004968 #~6000047
E-21	19	HZY9-31226-H01	SCREW, PAN, 6X22	2	#1004969~ #6000048~
E-21	20	HZW1-90107-004	SCREW, PAN, 5X8	2	
E-21	21	HZW4-90164-000	BOLT, FLANGE, 10X90	2	

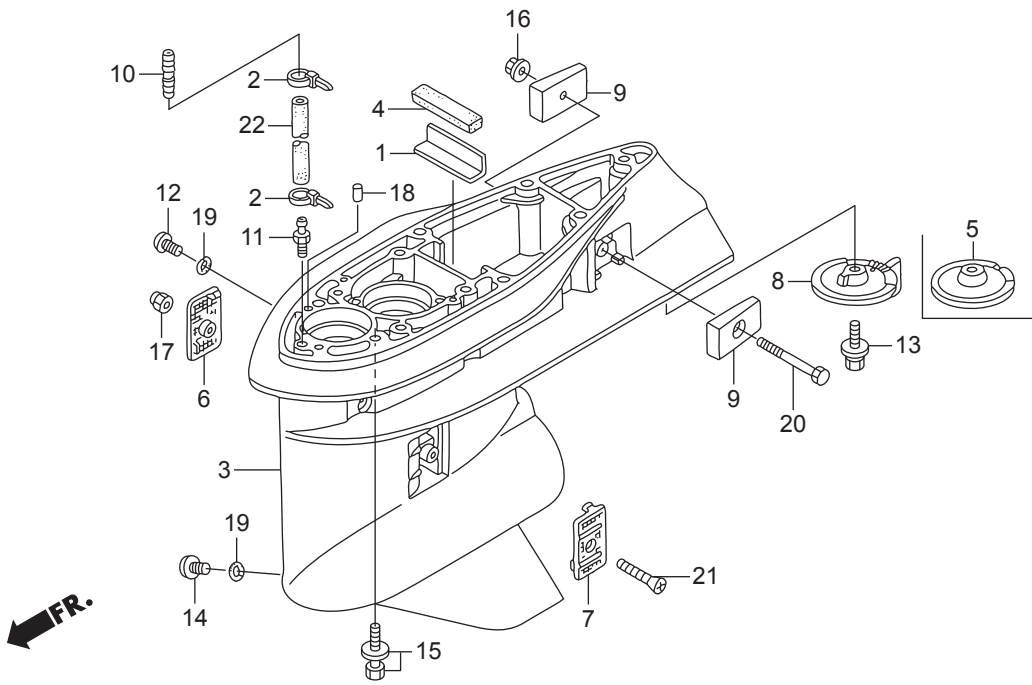




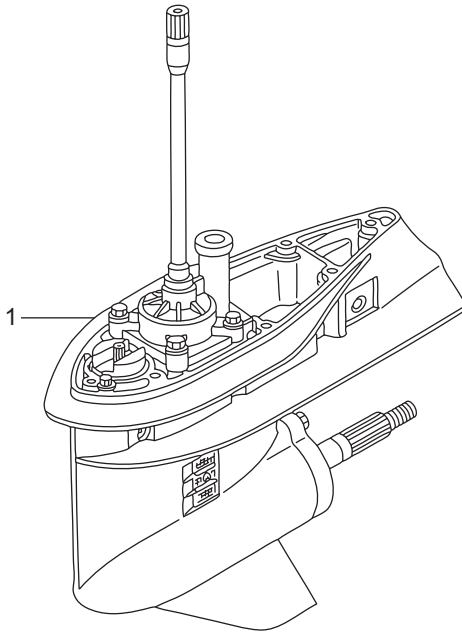
Ref.No.	Part No.	Description	Q' ty	Remarks	
			BFT115A		
F-2	1	HZV5-17838-000	LINKAGE, PIVOT	1	
F-2	2	HZY6-17840-000	ROD COMP., THROTTLE	1	
F-2	3	HZY6-17845-000	LINK, THROTTLE	1	
F-2	4	HZY6-17860-000	PLATE COMP., THROTTLE	1	
F-2	5	HZY6-17877-010	PLATE, REMOTE CONTROL CABLE	1	
F-2	6	HZY6-17931-000	ARM, THROTTLE	1	
F-2	7	H921-17936-000	WASHER, PIVOT	1	
F-2	8	HZY6-24166-000	ARM COMP., CLICK	1	
F-2	9	HZY6-24218-000	SPRING, CLICK	1	
F-2	10	HZY6-24320-000	ROD COMP. A, SHIFT(L)	1	LA
F-2	10	HZY6-24320-610	ROD COMP. A, SHIFT(XL)	1	XA,XCA
F-2	11	HZW1-24327-000	RING, STOPPER	1	
F-2	12	HZY6-24610-000	SHAFT COMP. A, SHIFT	1	
F-2	13	HZY6-24612-020	ARM, SHIFT	1	
F-2	14	HZY6-24614-000	PLATE, SHIFT PIVOT	1	
F-2	15	HZY3-24618-000	PIVOT, SHIFT	2	
F-2	16	HZY6-24618-000	PIVOT, SHIFT SLIDE	1	
F-2	17	HZY3-24619-000	PLATE, LOCK	2	
F-2	18	HZY6-24620-000	SHAFT COMP. B, SHIFT	1	
F-2	19	HZY6-24628-000	BRACKET, SHIFT LINK	1	
F-2	20	HZY6-24629-000ZA	HOLDER, SEAL	1	*NH8* DARK GRAY
F-2	21	HZY6-32418-000	BRACKET A, CABLE	1	
F-2	22	HZY3-35470-023	SWITCH ASSY., NEUTRAL	1	
F-2	23	HZY6-35475-000	BRACKET, NEUTRAL SWITCH	1	
F-2	24	HVM0-46391-003	CLIP, BRAKE PIPE(A)	1	
F-2	25	HZY3-63205-000	BUSH A, COVER LOCK	2	
F-2	26	H763-75538-C01	BUSH, BLADE BRAKE	1	
F-2	27	HZY3-90017-000	BOLT, FLANGE, 6X16	1	
F-2	28	HZY3-90021-000	BOLT, FLANGE, 6X14	2	

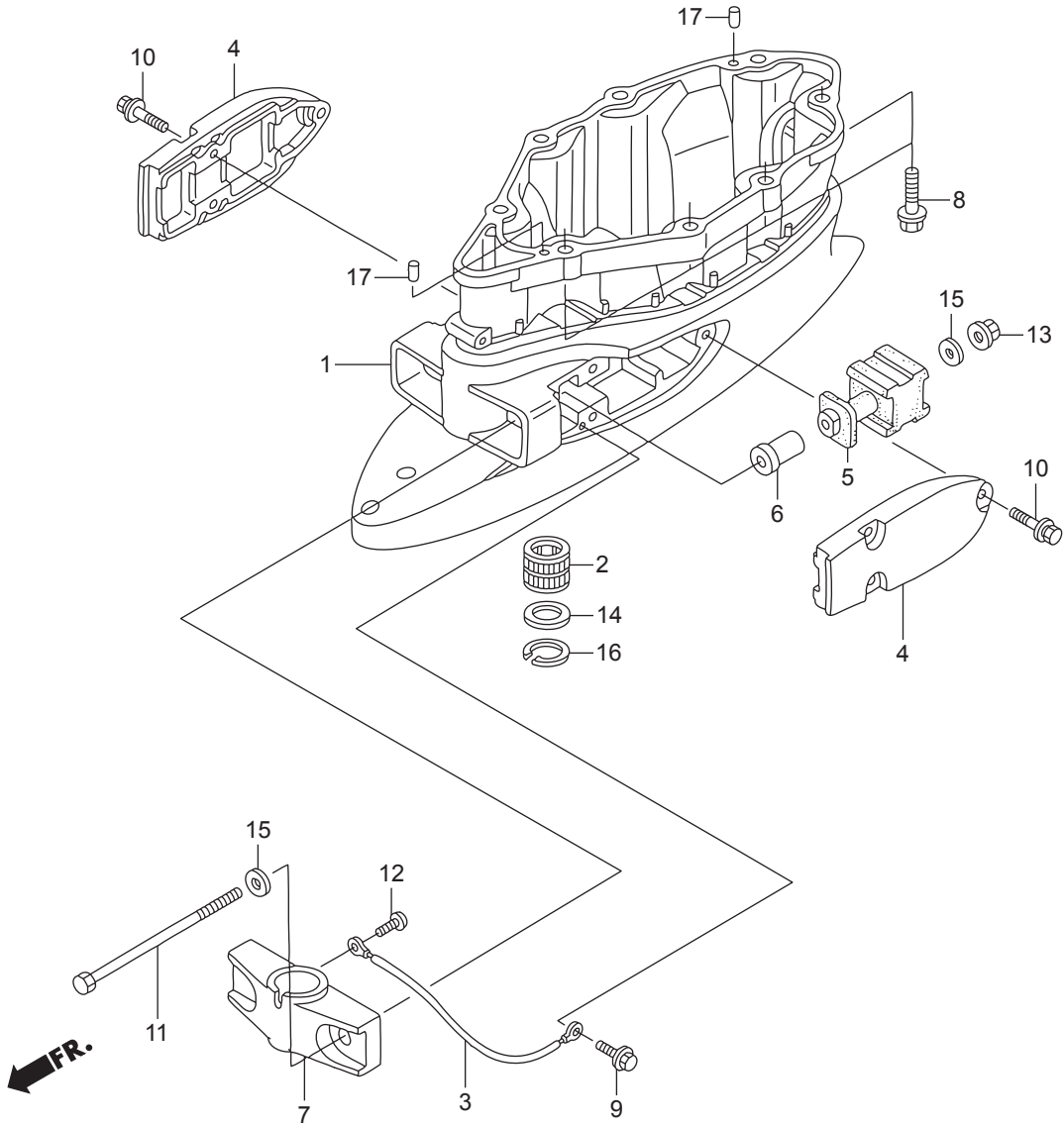


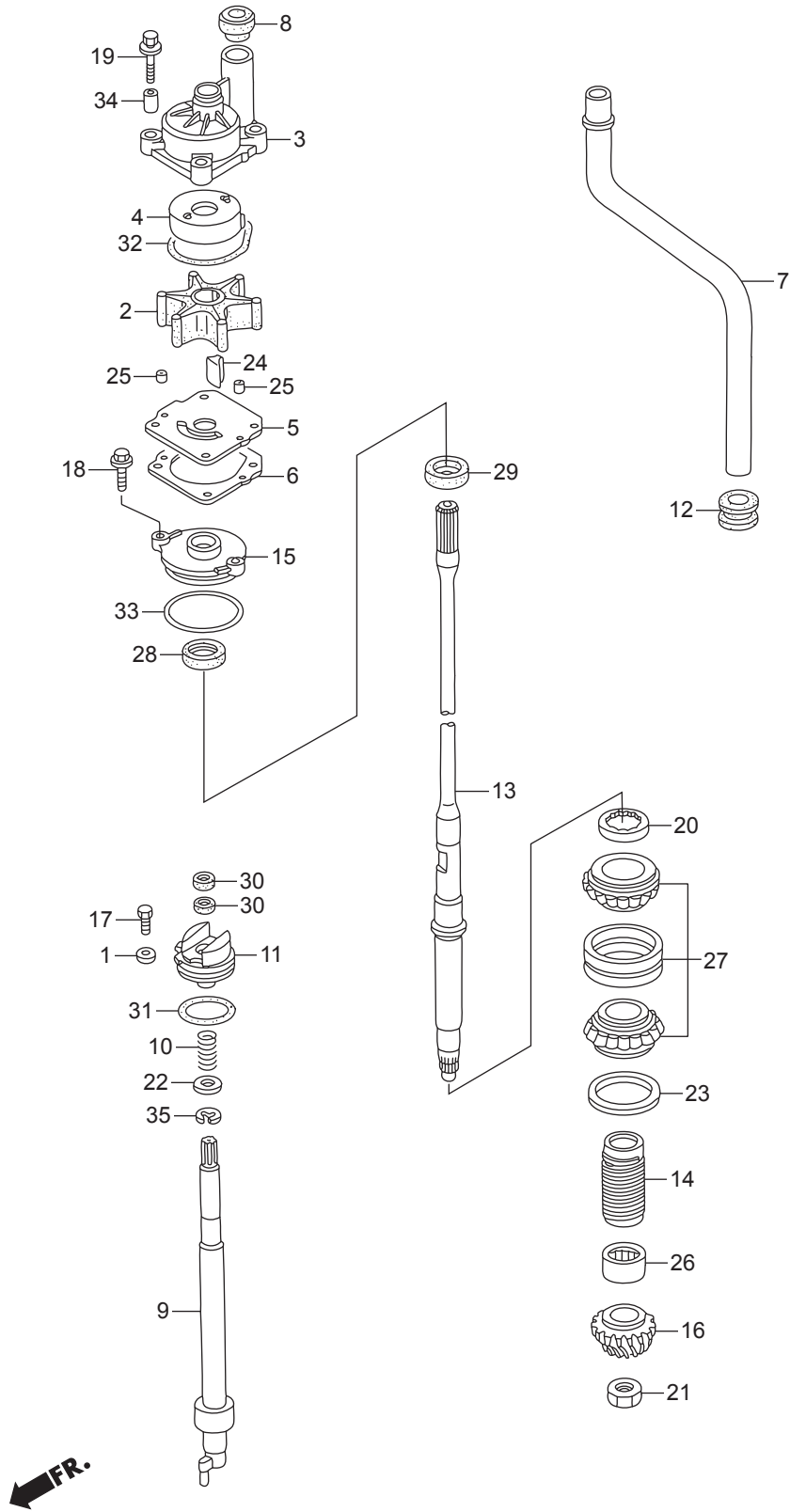
Ref.No.	Part No.	Description	Q' ty	Remarks	
			BFT115A		
F-2	29	HZY3-90028-000	BOLT, FLANGE, 6X18	2	
F-2	30	HZW9-90102-000	BOLT, FLANGE, 6X12	2	
F-2	31	HZW9-90105-000	BOLT, FLANGE, 6X20	2	
F-2	32	HZV5-90302-003	NUT, HEX., 20MM	1	
F-2	33	HZW5-90501-000	WASHER, SHIFT SHAFT	1	
F-2	34	HZY3-90507-000	WASHER, PLAIN, 12MM	1	
F-2	35	HZV7-90508-000	WASHER	1	
F-2	36	HZV4-90512-000	WASHER, PLAIN, 6MM	2	
F-2	37	H921-90518-000	WASHER, PLAIN, 8MM	1	
F-2	38	HZY3-90751-000	PIN, LINK	1	
F-2	39	HZY6-90752-000	PIN, SHIFT LINK	1	
F-2	40	HZY6-90753-000	PIN, LINK	1	
F-2	41	HZY6-90755-003	PIN, SNAP, 12MM	1	
F-2	42	HZY3-91001-003	BEARING, NEEDLE, 20X28X13	1	(SOLID)
F-2	43	HZY3-91152-003	RING, INNER(15X20X23)	1	
F-2	44	HZW5-91251-003	OIL SEAL, 14X26X6	1	
F-2	45	HZY3-91255-003	SEAL, WATER(14X26X8)	1	
F-2	46	HP0X-91321-003	O-RING, 25X2.4(NOK)	1	
F-2	47	HSV1-91549-L01	HOLDER, DRAIN TUBE	1	
F-2	48	HCO-94001-05490-0S	NUT, HEX., 5MM	1	
F-2	49	HCO-94540-04029	E-RING, 4MM	3	
F-2	50	HCO-94540-06029	E-RING, 6MM	1	
F-2	51	HCO-94540-12029	E-RING, 12MM	1	



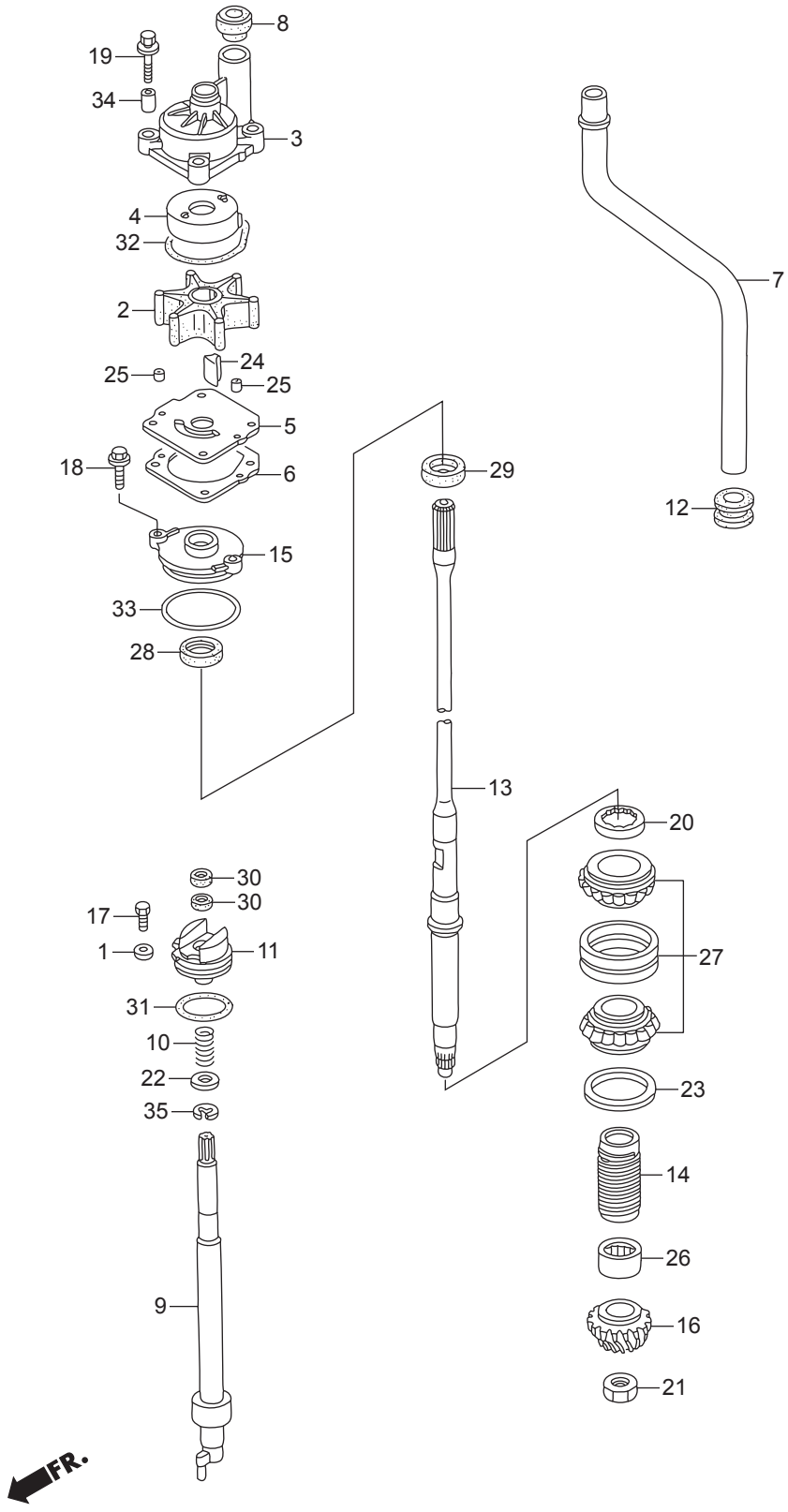
Ref.No.	Part No.	Description	Q' ty	Remarks	
			BFT115A		
F-3	1	HZW1-19286-B00	PLATE, RUBBER SETTING	1	
F-3	2	HKM3-32161-003	BAND, WIRE	2	
F-3	3	HZY6-41101-020ZC	CASE, GEAR	1	*T107* BAY BLUE
F-3	4	HZW1-41102-B00	GROMMET, GEAR CASE	1	
F-3	5	HZX2-41102-E00ZC	COVER, GEAR CASE	1	*T107* BAY BLUE XCA
F-3	6	HZY6-41104-010	SCREEN, R. WATER	1	
F-3	7	HZY6-41105-010	SCREEN, L. WATER	1	
F-3	8	HZX2-41107-C00ZC	TAB, TRIM	1	*T107* BAY BLUE LA,XA
F-3	9	HZW1-41109-B00	METAL COMP., ANODE	2	
F-3	10	HZV5-41171-000	END, NIPPLE	1	
F-3	11	HZV5-41172-000	NIPPLE, SENSOR	1	
F-3	12	HZW9-90101-003	BOLT, OIL CHECK	1	
F-3	13	HZY6-90103-000	BOLT-WASHER, 10X32	1	
F-3	14	HZY3-90120-000	BOLT, DRAIN PLUG	1	
F-3	15	HZY6-90123-000	BOLT-WASHER, 10X40	7	
F-3	16	HZY1-90205-000	NUT, SELF-LOCK, 6MM	1	
F-3	17	HZV4-90302-000	NUT, SELF-LOCK, 5MM	1	
F-3	18	HZV5-90756-000	DOWEL PIN, 6X10	2	
F-3	19	HZW4-91301-003	O-RING, 6.9X1.45	2	
F-3	20	HCO-92101-06050-4J	BOLT, HEX., 6X50	1	
F-3	21	HCO-93700-05050-4J	SCREW, OVAL, 5X50	1	
F-3	22	HCO-95005-50140-30	TUBE, 5X140	1	(HC-95005-50001-30M) LD,LU
F-3	22	HCO-95005-50270-30	TUBE, 5X270	1	(HC-95005-50001-30M) XU



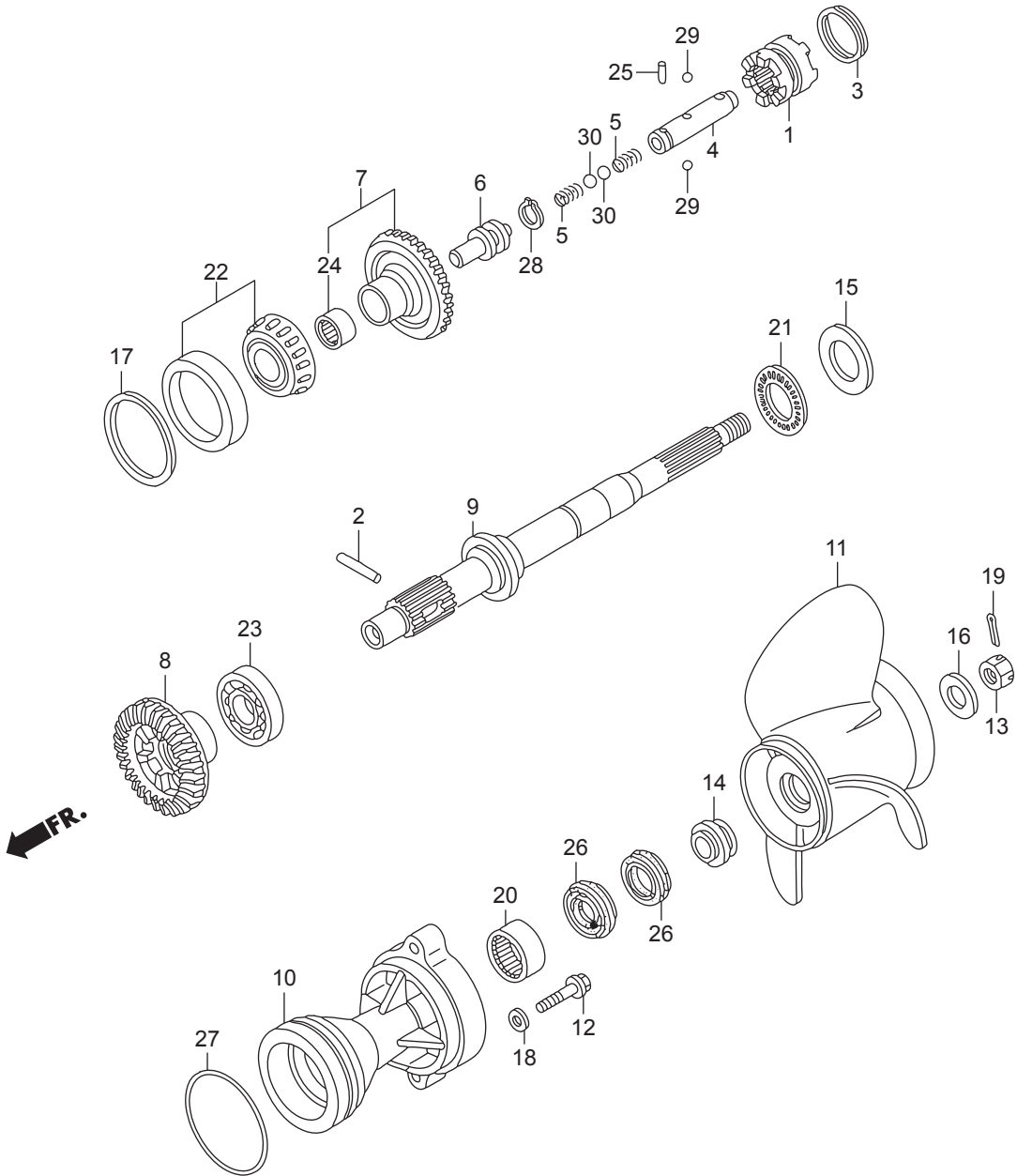




Ref.No.	Part No.	Description	Q' ty	Remarks	
			BFT115A		
F-4	1	H921-17936-000	WASHER, PIVOT	1	
F-4	2	HZW1-19210-B04	IMPELLER, PUMP	1	
F-4	3	HZY6-19221-A00	HOUSING, IMPELLER	1	
F-4	4	HZW1-19223-B00	LINER, PUMP	1	
F-4	5	HZY6-19231-000	COVER, IMPELLER	1	
F-4	6	HZY6-19234-000	GASKET B, IMPELLER	1	
F-4	7	HZY6-19251-000	TUBE, WATER(L)	1	LA
F-4	7	HZY6-19251-611	TUBE, WATER(XL)	1	XA,XCA
F-4	8	HZW1-19253-B01	RING, WATER TUBE SEAL	1	
F-4	9	HZY6-24310-000	ROD COMP., SHIFT	1	LA,XA
F-4	9	HZY6-24310-710	ROD COMP., SHIFT	1	(COUNTER ROTATION) XCA
F-4	10	HZY3-24318-000	SPRING, SHIFT ROD	1	
F-4	11	HZY6-24343-000	HOLDER, SHIFT ROD	1	XCA
F-4	11	HZY6-24343-000	HOLDER, SHIFT ROD	1	#~6000134 XA
F-4	11	HZY6-24343-000	HOLDER, SHIFT ROD	1	#~6000136 LA
F-4	11	HZY6-24343-010	HOLDER, SHIFT ROD	1	#6000135~ XA
F-4	11	HZY6-24343-010	HOLDER, SHIFT ROD	1	#6000137~ LA
F-4	12	HZW1-40204-000	GROMMET, EXTENSION CASE	1	
F-4	13	HZY6-41112-010	SHAFT, VERTICAL(L)	1	LA
F-4	13	HZY6-41112-611	SHAFT, VERTICAL(XL)	1	XA,XCA
F-4	14	HZW1-41116-B00	SLINGER, OIL	1	
F-4	15	HZZ3-41117-000	HOUSING, WATER SEAL	1	
F-4	16	HZY6-41131-000	GEAR, PINION	1	
F-4	17	H881-90105-000	BOLT, HEX., 6X12	1	
F-4	18	HZW9-90105-000	BOLT, FLANGE, 6X20	2	
F-4	19	HZY6-90116-000	BOLT-WASHER, 8X40	4	
F-4	20	HZW1-90242-000	NUT, LOCK, 64MM	1	
F-4	21	HZW5-90303-000	NUT, HEX., 18MM	1	
F-4	22	H723-90472-000	WASHER, PLAIN, 12MM	1	



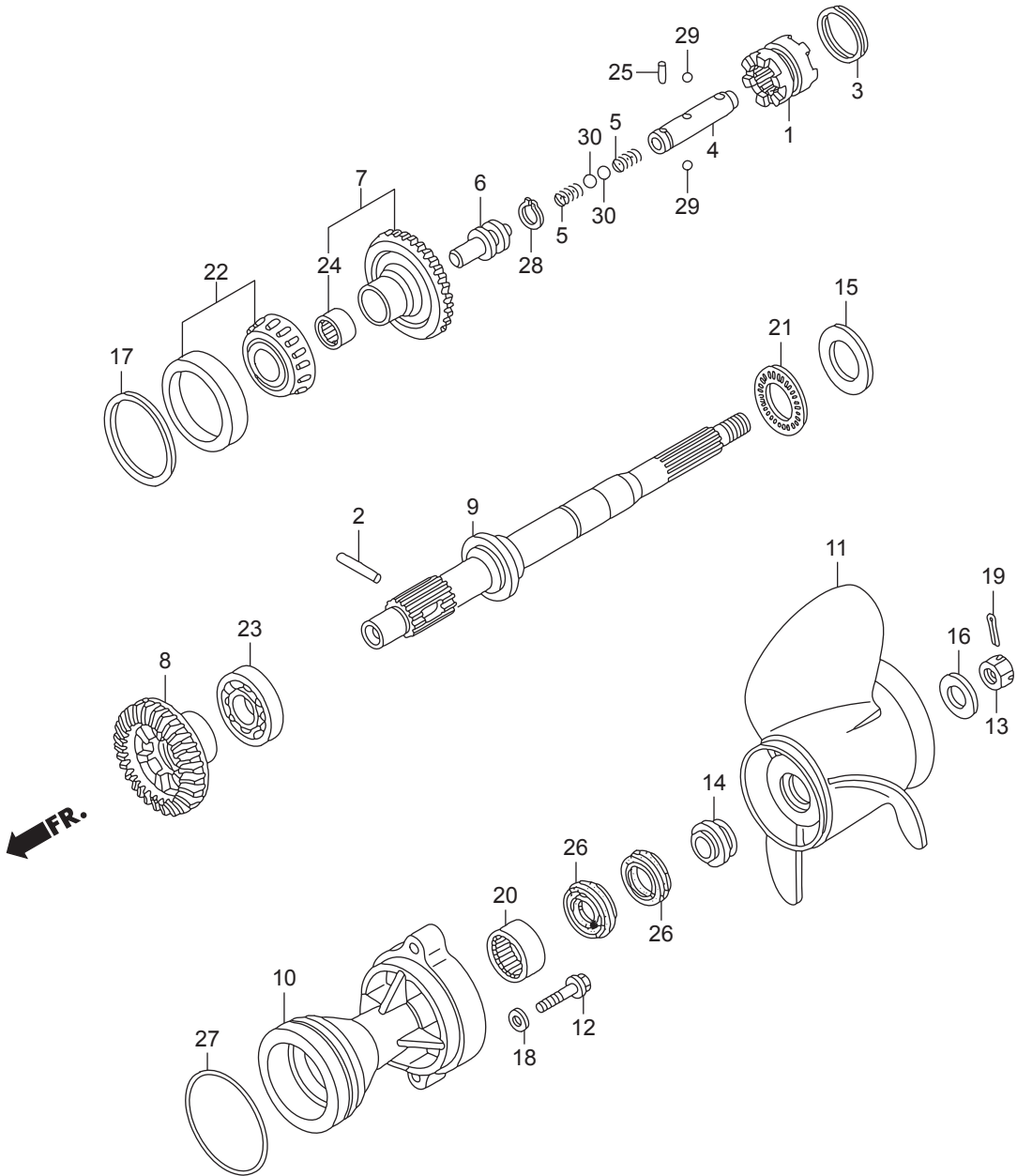
Ref.No.	Part No.	Description	Q' ty	Remarks	
			BFT115A		
F-4	23	HZW1-90518-B00	SHIM A, GEAR(0.10)	1	
F-4	23	HZW1-90519-B00	SHIM B, GEAR(0.15)	1	
F-4	23	HZW1-90520-B00	SHIM C, GEAR(0.30)	1	
F-4	23	HZW1-90521-B00	SHIM D, GEAR(0.50)	1	
F-4	24	HZW1-90752-B02	KEY, WOODRUFF	1	
F-4	25	HZV5-90756-000	DOWEL PIN, 6X10	2	
F-4	26	HZY6-91052-003	BEARING, NEEDLE,	1	28.575X44.45X31.75
F-4	27	HZW1-91054-B31	BEARING, TAPER ROLLER,	1	30X62X40
F-4	28	HZY6-91251-003	SEAL, WATER, 23X36X8	1	
F-4	29	HZZ3-91253-003	SEAL, WATER, 23X36X6	1	
F-4	30	HZY3-91254-003	SEAL, WATER, 12X21X6	2	
F-4	31	HZY6-91351-003	O-RING, 55.6X3.5	1	
F-4	32	HZW1-91356-B00	O-RING, WATER PUMP	1	
F-4	33	HMB0-91359-000	O-RING, 58.5X3.5	1	
F-4	34	HZY6-91552-000	COLLAR, DISTANCE	4	
F-4	35	HCO-94540-10019	E-RING, 10MM	1	



Ref.No.	Part No.	Description	Q' ty	Remarks	
			BFT115A		
F-5	1	HZY6-24101-000	SHIFTER, CLUTCH	1	LA,XA
F-5	2	HZW1-24102-B00	PIN, SHIFTER, 8X47	1	LA,XA
F-5	3	HZW1-24103-B00	RING, CROSS PIN	1	LA,XA
F-5	4	HZY6-24122-000	SLIDER, SHIFT	1	LA,XA
F-5	5	HZY6-24123-000	SPRING, SHIFT	2	LA,XA
F-5	6	HZY6-24124-000	PLATE, SHIFT	1	LA,XA
F-5	7	HZY6-41140-000	GEAR COMP., BEVEL(FORWARD 30T)	1	LA,XA
F-5	8	HZY6-41151-000	GEAR, BEVEL(RVS. 30T)	1	LA,XA
F-5	9	HZY6-41161-000	SHAFT, PROPELLER	1	LA,XA
F-5	10	HZY6-41201-000ZC	HOLDER, PROPELLER SHAFT	1	*T107* BAY BLUELA,XA
F-5	11	HZY3-58130-T00	PROPELLER COMP., THREE BLADES	1	(14-1/2X15)(SUS) LA,XA
F-5	11	HZY3-58130-T10	PROPELLER COMP., THREE BLADES	1	(14-1/4X17)(SUS) LA,XA
F-5	11	HZY3-58130-T20	PROPELLER COMP., THREE BLADES	1	(14X19)(SUS) LA,XA
F-5	11	HZY3-58130-T30	PROPELLER COMP., THREE BLADES	1	(14X21)(SUS) LA,XA
F-5	11	HZY3-58130-T40	PROPELLER COMP., THREE BLADES	1	(14-1/2X23)(SUS) LA,XA
F-5	11	HZY3-58130-T50	PROPELLER COMP., THREE BLADES	1	(14X25)(SUS) LA,XA
F-5	11	HZY3-58130-V01ZA	PROPELLER COMP., THREE BLADES	1	*NH283* (15-1/2X13)(AL) STIN GRAY LA,XA
F-5	11	HZY3-58130-V11ZA	PROPELLER COMP., THREE BLADES	1	*NH283* (15-1/4X15)(AL) STIN GRAY LA,XA
F-5	11	HZY3-58130-V21ZA	PROPELLER COMP., THREE BLADES	1	*NH283* (15X17)(AL) STIN GRAY LA,XA
F-5	11	HZY3-58130-V31ZA	PROPELLER COMP., THREE BLADES	1	*NH283* (14-3/4X19)(AL) STIN GRAY LA,XA
F-5	11	HZY3-58130-V41ZA	PROPELLER COMP., THREE BLADES	1	*NH283* (14-1/2X21)(AL) STIN GRAY LA,XA
F-5	11	HZY3-58130-V51ZA	PROPELLER COMP., THREE BLADES	1	*NH283* (14-1/4X23)(AL) STIN GRAY LA,XA
F-5	12	HZY6-90104-000	BOLT, FLANGE, 10X40	2	LA,XA
F-5	13	HZW1-90301-B00	NUT, CASTLE, 18MM	1	LA,XA
F-5	14	HZX2-90506-C00	WASHER, PROPELLER THRUST	1	LA,XA
F-5	15	HZW5-90509-711	WASHER, THRUST BEARING	1	LA,XA
F-5	16	HZX2-90512-C00	WASHER, PROPELLER	1	LA,XA
F-5	17	HZY3-90528-000	SHIM A, BEVEL(0.10)	1	LA,XA
F-5	17	HZY3-90529-000	SHIM B, BEVEL(0.15)	1	LA,XA

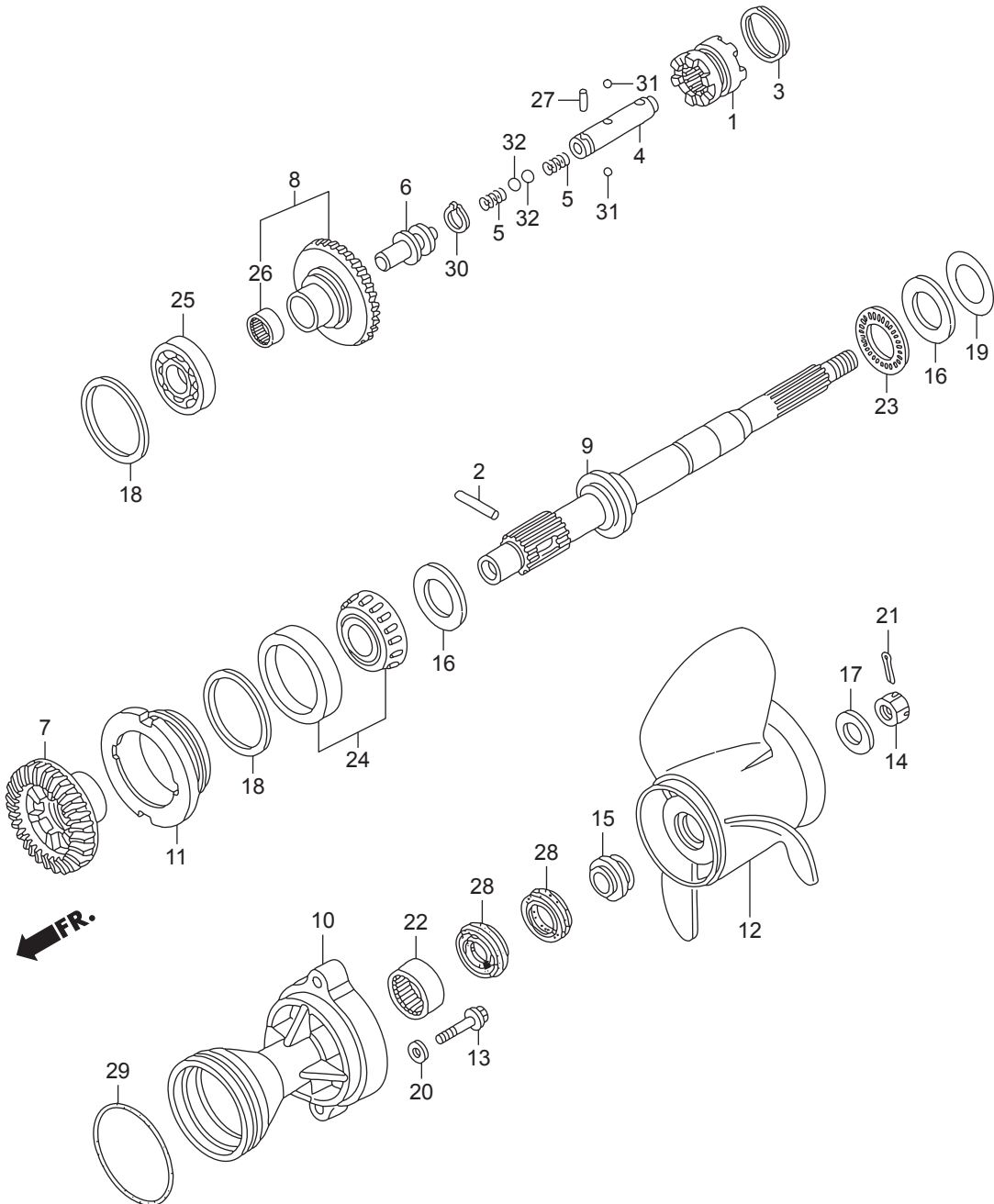
F-5

PROPELLER SHAFT/PROPELLER
(LA/XA)



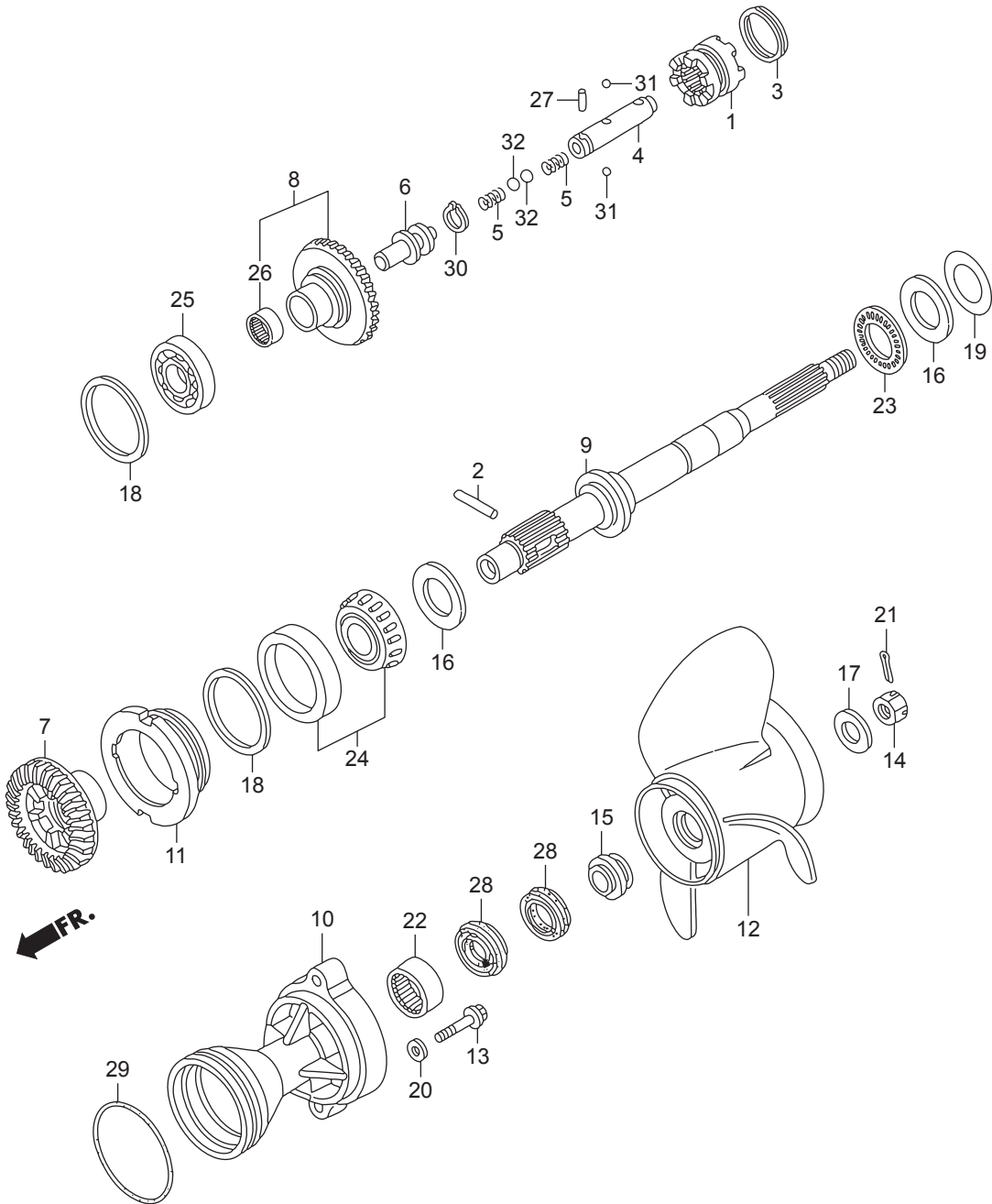
Ref.No.	Part No.	Description	Q'ty	Remarks	
			BFT115A		
F-5	17	HZY3-90530-000	SHIM C, BEVEL(0.30)	1	LA,XA
F-5	17	HZY3-90531-000	SHIM D, BEVEL(0.50)	1	LA,XA
F-5	18	HZV5-90563-000	WASHER, PLAIN, 10MM	2	LA,XA
F-5	19	HZW1-90758-B00	PIN, SPLIT, 4.0	1	LA,XA
F-5	20	HMY5-91005-601	BEARING, NEEDLE, 30X37X26	1	LA,XA
F-5	21	HPT2-91005-N01	BEARING, THRUST(F)	1	LA,XA
F-5	22	HZY6-91051-003	BEARING, TAPER, 50X90X28	1	LA,XA
F-5	23	HZY6-91055-004	BEARING, RADIAL BALL, 50X90X20	1	LA,XA
F-5	24	HZW5-91056-003	BEARING, NEEDLE(25X32X26)	1	LA,XA
F-5	25	HZW1-91101-003	ROLLER, 3X12.8	1	LA,XA
F-5	26	HZZ3-91252-003	SEAL, WATER, 30X45X7	2	LA,LC,XA,XC
F-5	27	HZY3-91351-003	O-RING, 105X3.1	1	LA,LC,XA,XC
F-5	28	HCO-94510-14000	CIRCLIP, EXTERNAL, 14MM	1	LA,LC,XA,XC
F-5	29	HCO-96211-07000	BALL, STEEL, #7(7/32)	2	LA,LC,XA,XC
F-5	30	HCO-96211-09000	BALL, STEEL, #9(9/32)	2	LA,LC,XA,XC

PROPELLER SHAFT/PROPELLER
(XCA)

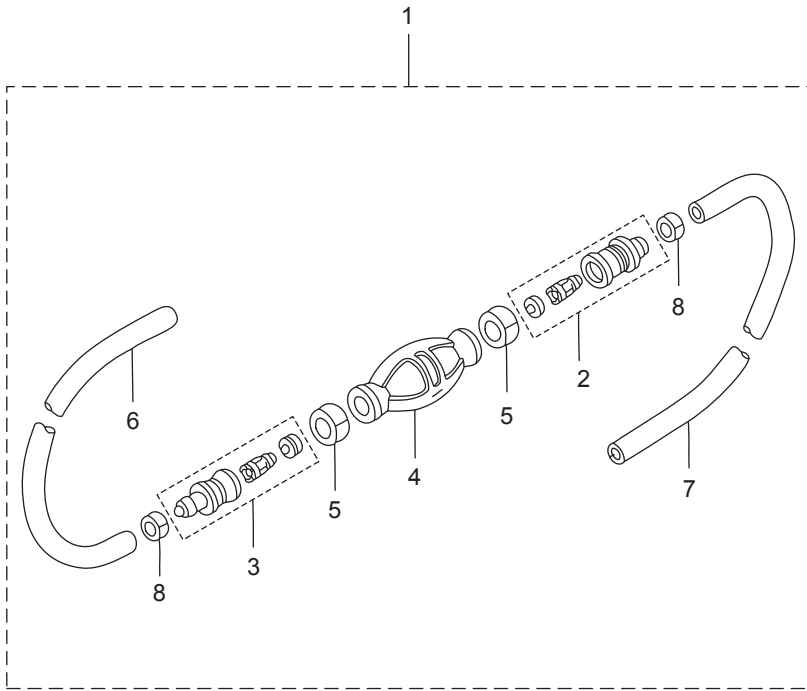


Ref.No.	Part No.	Description	Q' ty	Remarks	
			BFT115A		
F-5-1	1	HZY6-24101-000	SHIFTER, CLUTCH	1	XCA
F-5-1	2	HZW1-24102-B00	PIN, SHIFTER, 8X47	1	XCA
F-5-1	3	HZW1-24103-B00	RING, CROSS PIN	1	XCA
F-5-1	4	HZY6-24122-000	SLIDER, SHIFT	1	XCA
F-5-1	5	HZY6-24123-000	SPRING, SHIFT	2	XCA
F-5-1	6	HZY6-24124-000	PLATE, SHIFT	1	XCA
F-5-1	7	HZY6-41141-710	GEAR, BEVEL(FORWARD 30T)	1	(COUNTER ROTATION) XCA
F-5-1	8	HZY6-41150-710	GEAR COMP., BEVEL(RVS. 30T)	1	(COUNTER ROTATION) XCA
F-5-1	9	HZY6-41161-710	SHAFT, PROPELLER	1	(COUNTER ROTATION) XCA
F-5-1	10	HZY6-41201-710ZC	HOLDER, PROPELLER SHAFT	1	*T107* BAY BLUE XCA
F-5-1	11	HZY6-41202-710	HOLDER, BEARING	1	(COUNTER ROTATION) XCA
F-5-1	12	HZY3-58180-T00	PROPELLER COMP., THREE BLADES	1	(14-1/2X15)(C/R) XCA
F-5-1	12	HZY3-58180-T10	PROPELLER COMP., THREE BLADES	1	(14-1/4X17)(C/R) XCA
F-5-1	12	HZY3-58180-T20	PROPELLER COMP., THREE BLADES	1	(14X19)(C/R) XCA
F-5-1	12	HZY3-58180-T30	PROPELLER COMP., THREE BLADES	1	(14X21)(C/R) XCA
F-5-1	12	HZY3-58180-T40	PROPELLER COMP., THREE BLADES	1	(14-1/2X23)(C/R) XCA
F-5-1	13	HZY6-90104-000	BOLT, FLANGE, 10X40	2	XCA
F-5-1	14	HZW1-90301-B00	NUT, CASTLE, 18MM	1	XCA
F-5-1	15	HZY3-90506-000	WASHER, PROPELLER THRUST	1	XCA
F-5-1	16	HZW5-90509-711	WASHER, THRUST BEARING	2	XCA
F-5-1	17	HZY3-90512-000	WASHER, PROPELLER	1	XCA
F-5-1	18	HZY3-90528-000	SHIM A, BEVEL(0.10)	1	XCA
F-5-1	18	HZY3-90529-000	SHIM B, BEVEL(0.15)	1	XCA
F-5-1	18	HZY3-90530-000	SHIM C, BEVEL(0.30)	1	XCA
F-5-1	18	HZY3-90531-000	SHIM D, BEVEL(0.50)	1	XCA
F-5-1	19	HZW5-90548-710	SHIM A, THRUST(0.10)	1	XCA
F-5-1	19	HZW5-90549-710	SHIM B, THRUST(0.15)	1	XCA
F-5-1	19	HZW5-90550-710	SHIM C, THRUST(0.30)	1	XCA
F-5-1	19	HZW5-90551-710	SHIM D, THRUST(0.50)	1	XCA

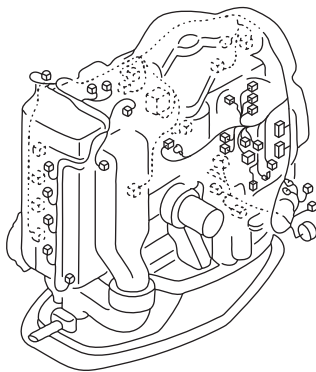
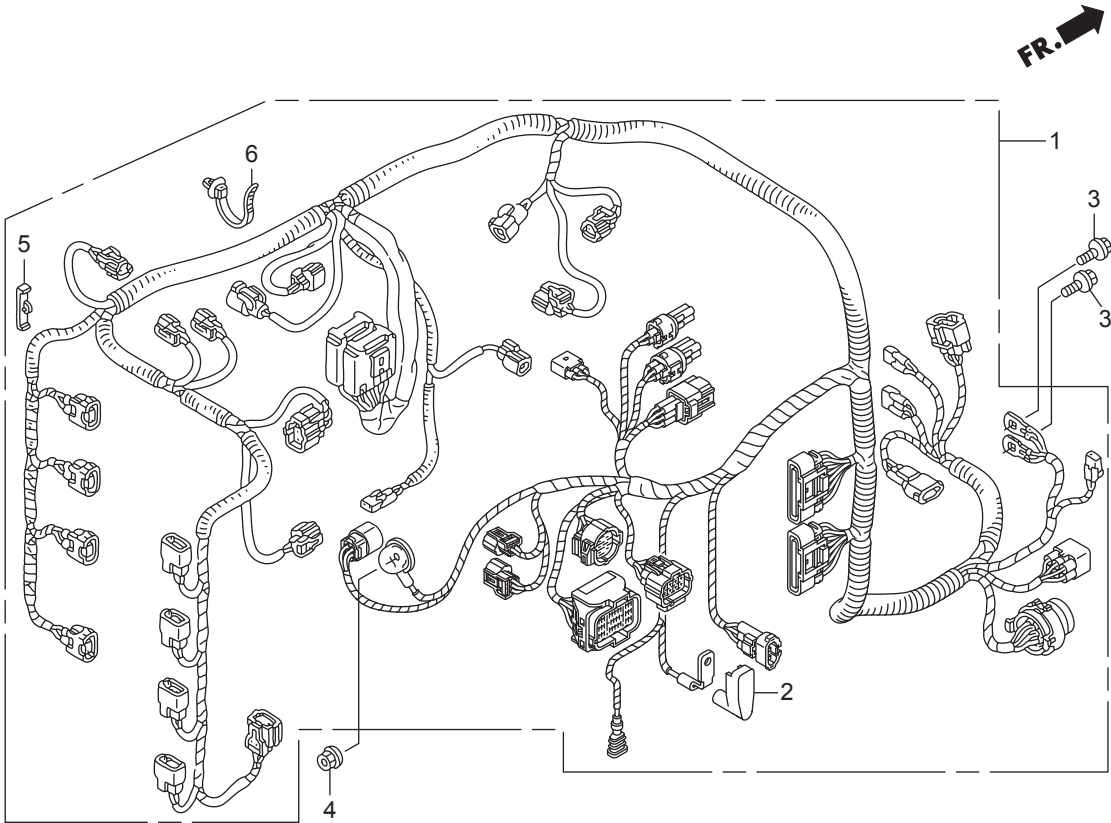
PROPELLER SHAFT/PROPELLER
(XCA)

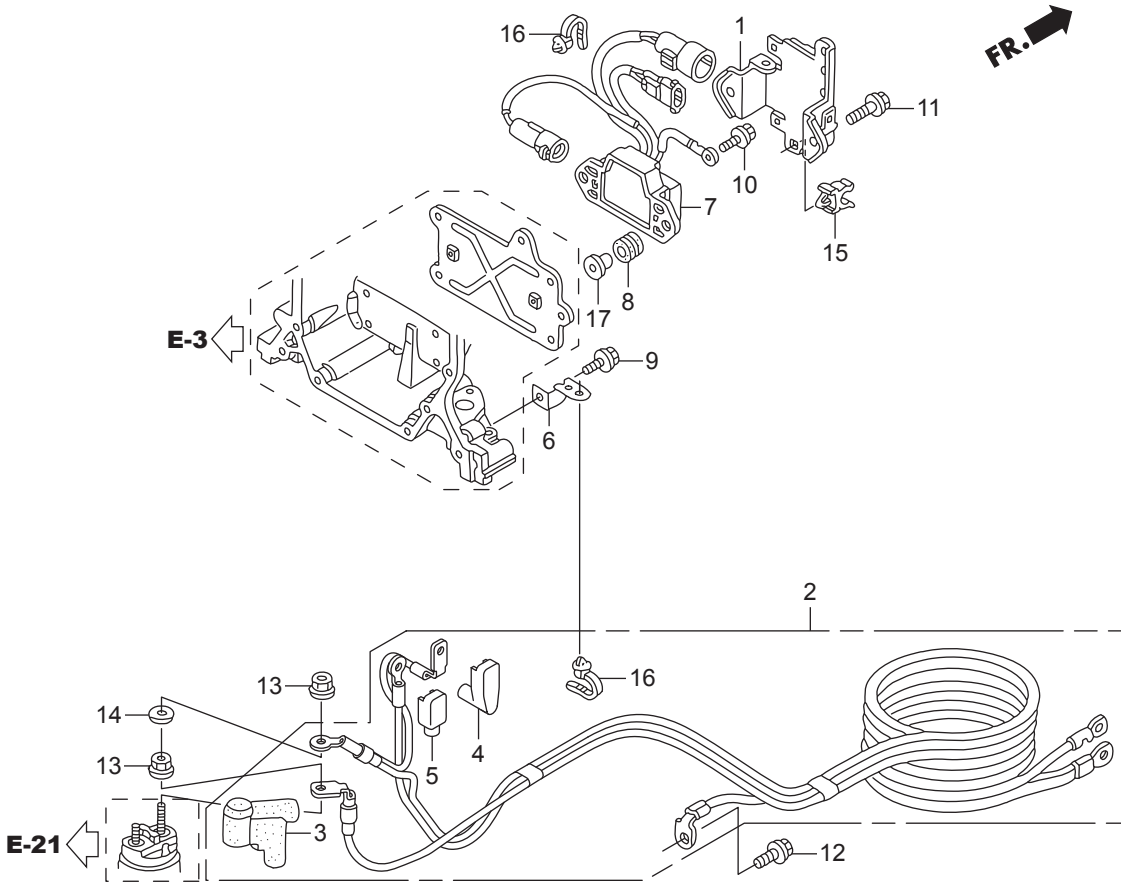


Ref.No.	Part No.	Description	Q' ty	Remarks	
			BFT115A		
F-5-1	20	HZV5-90563-000	WASHER, PLAIN, 10MM	2	XCA
F-5-1	21	HZW1-90758-B00	PIN, SPLIT, 4.0	1	XCA
F-5-1	22	HMY5-91005-601	BEARING, NEEDLE, 30X37X26	1	XCA
F-5-1	23	HPT2-91005-N01	BEARING, THRUST(F)	1	XCA
F-5-1	24	HZY6-91051-003	BEARING, TAPER, 50X90X28	1	XCA
F-5-1	25	HZY6-91055-004	BEARING, RADIAL BALL, 50X90X20	1	XCA
F-5-1	26	HZW5-91056-003	BEARING, NEEDLE(25X32X26)	1	XCA
F-5-1	27	HZW1-91101-003	ROLLER, 3X12.8	1	XCA
F-5-1	28	HZZ3-91252-003	SEAL, WATER, 30X45X7	2	XCA
F-5-1	29	HZY3-91351-003	O-RING, 105X3.1	1	XCA
F-5-1	30	HCO-94510-14000	CIRCLIP, EXTERNAL, 14MM	1	XCA
F-5-1	31	HCO-96211-07000	BALL, STEEL, #7(7/32)	2	XCA
F-5-1	32	HCO-96211-09000	BALL, STEEL, #9(9/32)	2	XCA

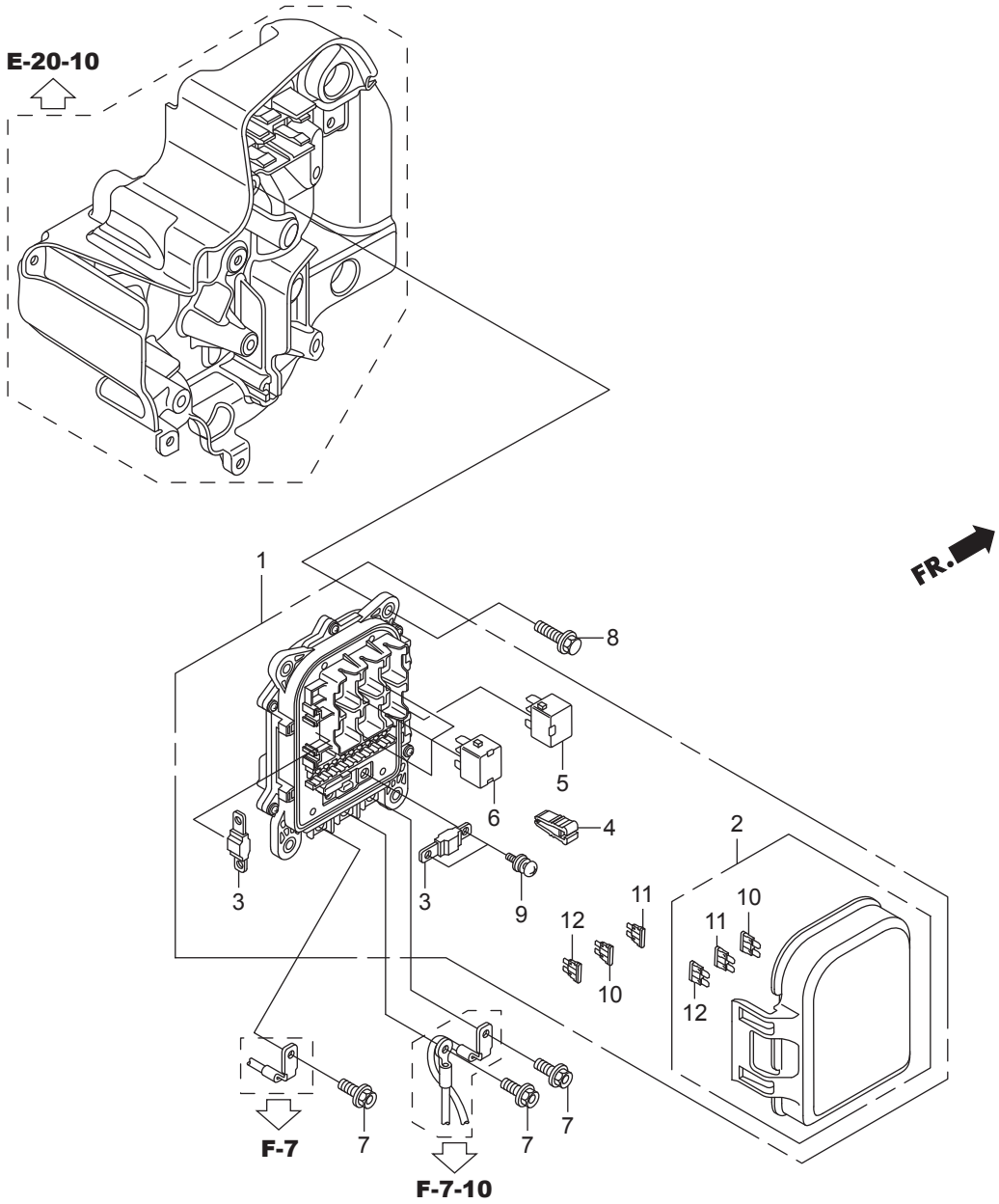


Ref.No.		Part No.	Description	Q' ty	Remarks
				BFT115A	
F-6	1	3FF-70200-4	PRIMER BULB ASSY	1	Low Permeation Parts for USA Model
F-6	2	3C7-70220-1	* JOINT ASSY (INLET)	1	
F-6	3	3C7-70224-1	* JOINT ASSY (OUTLET)	1	
F-6	4	3GF-70211-1	* PRIMER BULB	1	Low Permeation Parts for USA Model
F-6	5	3C7-70217-0	* CLAMP	2	
F-6	6	3GF-70241-1	* LOW PERMEATION HOSE L=700	1	Low Permeation Parts USA EPA-KRI-15G
F-6	7	3GF-70240-1	* LOW PERMEATION HOSE L=1600	1	Low Permeation Parts USA EPA-KRI-15G
F-6	8	332-70201-0	* CLAMP	2	

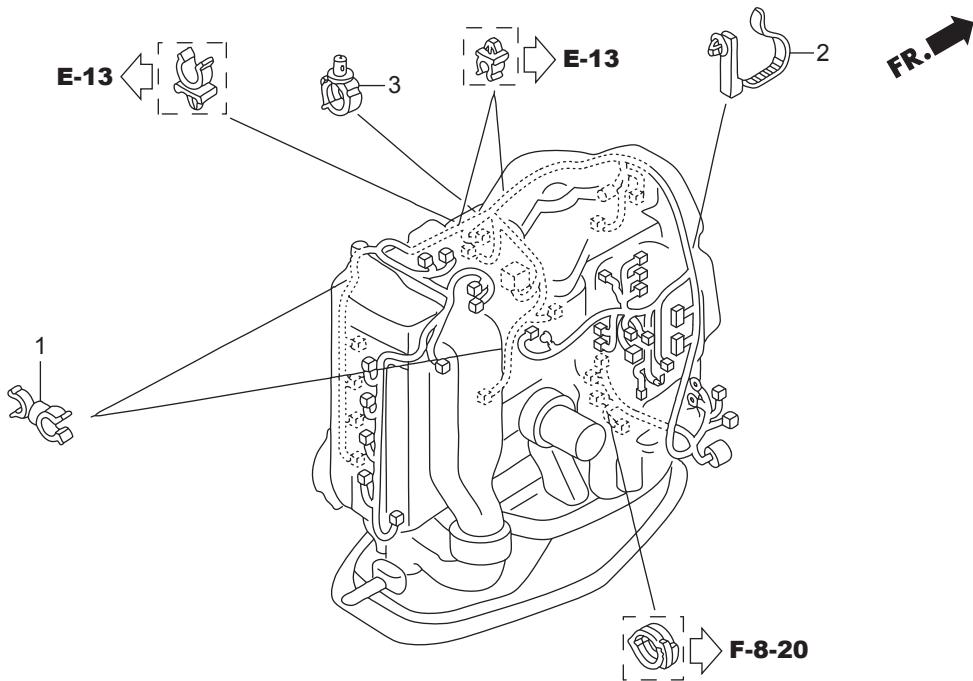


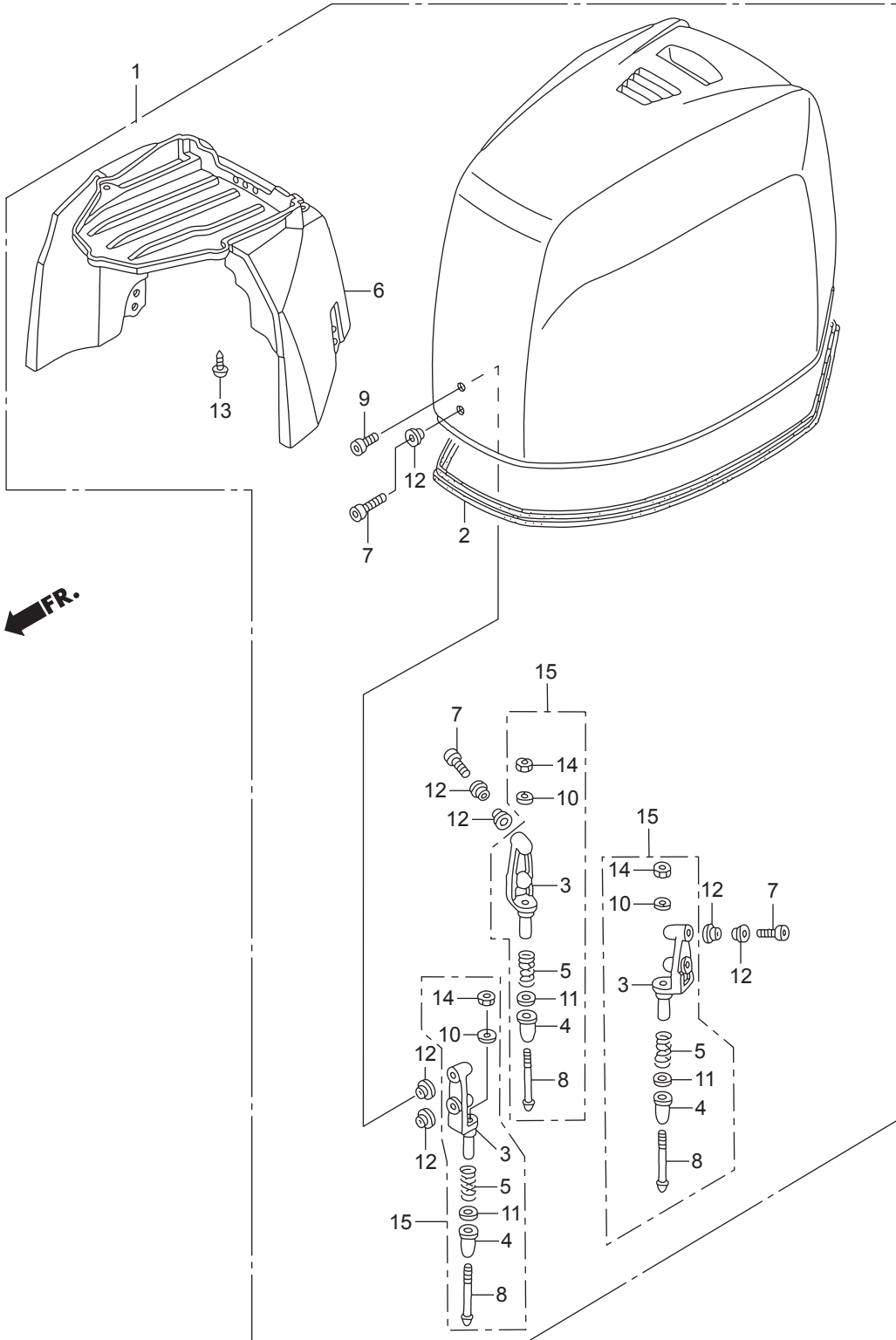


Ref.No.	Part No.	Description	Q' ty	Remarks	
			BFT115A		
F-7-10	1	HZY6-32101-000	BRACKET A, COUPLER	1	
F-7-10	2	HZY6-32410-020	CABLE ASSY., STARTER	1	
F-7-10	3	HZY3-32411-003	COVER, STARTER TERMINAL	1	
F-7-10	4	HZY6-32414-300	COVER B, TERMINAL(L)	1	
F-7-10	5	HZY6-32414-640	COVER B, TERMINAL	1	
F-7-10	6	HZY6-32419-000	BRACKET B, CABLE	1	
F-7-10	7	HZY6-38550-003	RELAY ASSY., POWER TILT	1	
F-7-10	8	HZW1-38551-000	GROMMET, RELAY	2	
F-7-10	9	HZW9-90011-000	BOLT, FLANGE, 6X14(CT200)	1	
F-7-10	10	HZW9-90013-000	BOLT, FLANGE, 6X12	1	
F-7-10	11	HZY3-90030-000	BOLT, FLANGE, 6X22	2	
F-7-10	12	HZY3-90107-000	BOLT, FLANGE, 8X18	1	
F-7-10	13	HZW1-90203-000	NUT-WASHER, 8MM	2	
F-7-10	14	HZY3-90405-000	WASHER, PLAIN, 8MM	1	
F-7-10	15	HSB2-90687-003	CLIP, FUEL TUBE, 14	1	
F-7-10	16	HS0A-91541-003	CLIP, HARNESS BAND(BLACK)	5	(145MM)
F-7-10	17	HZV5-91553-010	COLLAR, C.D.I. UNIT CASE	2	

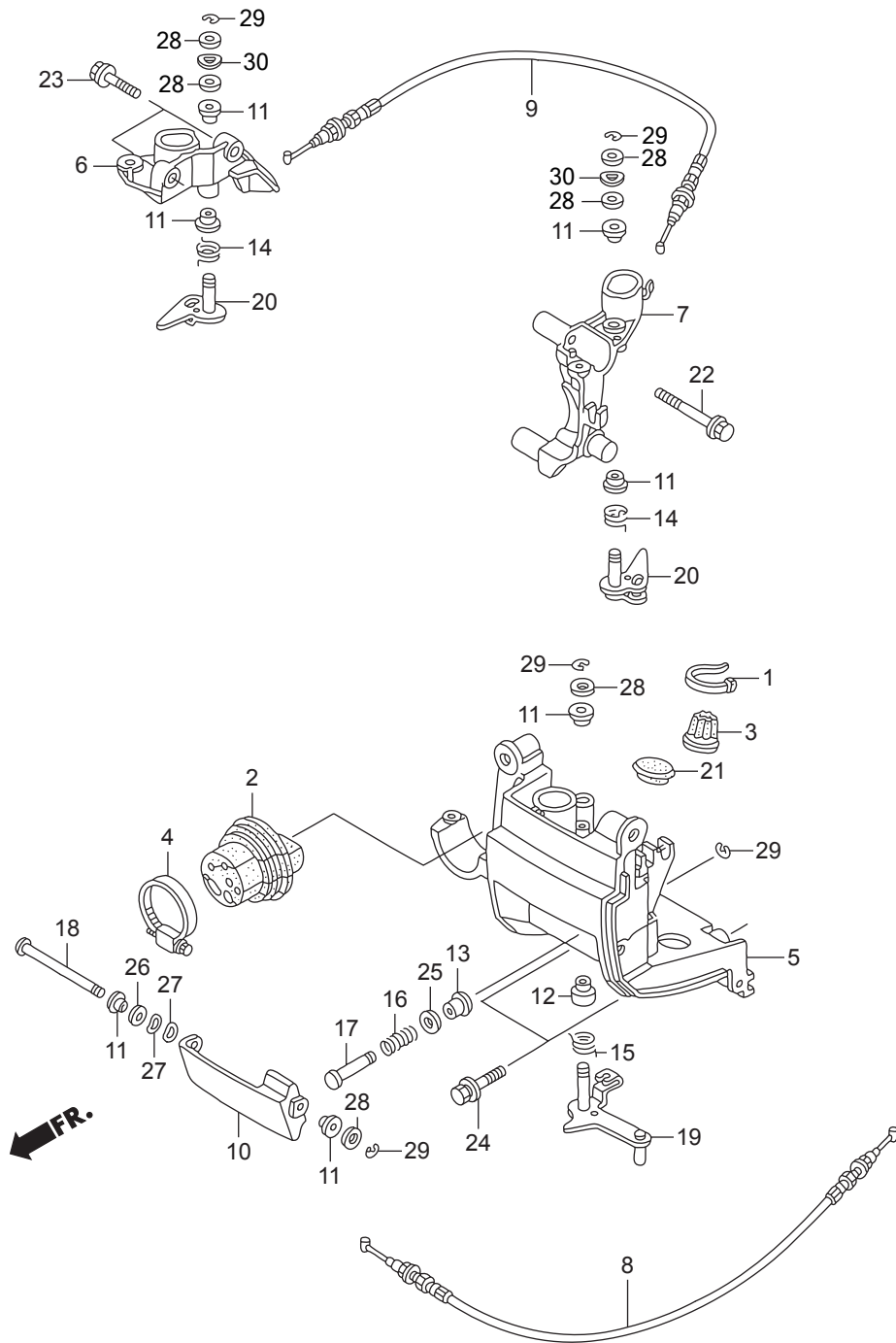


Ref.No.	Part No.	Description	Q' ty	Remarks	
			BFT115A		
F-7-20	1	HZY6-32370-004	BOX ASSY., JUNCTION	1	
F-7-20					
F-7-20					
F-7-20					
F-7-20	2	HZY6-32371-004	COVER COMP., FUSE	1	
F-7-20					
F-7-20					
F-7-20					
F-7-20	3	HZY6-38228-003	FUSE, BLOCK 100A(L TYPE)	2	
F-7-20	4	HZY6-38235-004	PULLER, MINI FUSE	1	
F-7-20					
F-7-20					
F-7-20					
F-7-20	5	HSDA-39794-004	RELAY ASSY., FUEL PUMP(DENSO)	1	
F-7-20	6	HZY6-39794-003	RELAY ASSY., POWER(12V-20A)	3	(MICRO ISO 4P)
F-7-20	7	HZW9-90013-000	BOLT, FLANGE, 6X12	3	
F-7-20	8	HZW5-90018-000	BOLT, FLANGE, 6X20	4	
F-7-20	9	HZY6-90135-004	SCREW-WASHER, 5X15	2	
F-7-20					
F-7-20					
F-7-20					
F-7-20	10	HCO-98200-41000	FUSE, MINI(10A)	4	
F-7-20	11	HCO-98200-41500	FUSE, MINI(15A)	3	
F-7-20	12	HCO-98200-43000	FUSE, MINI(30A)	3	

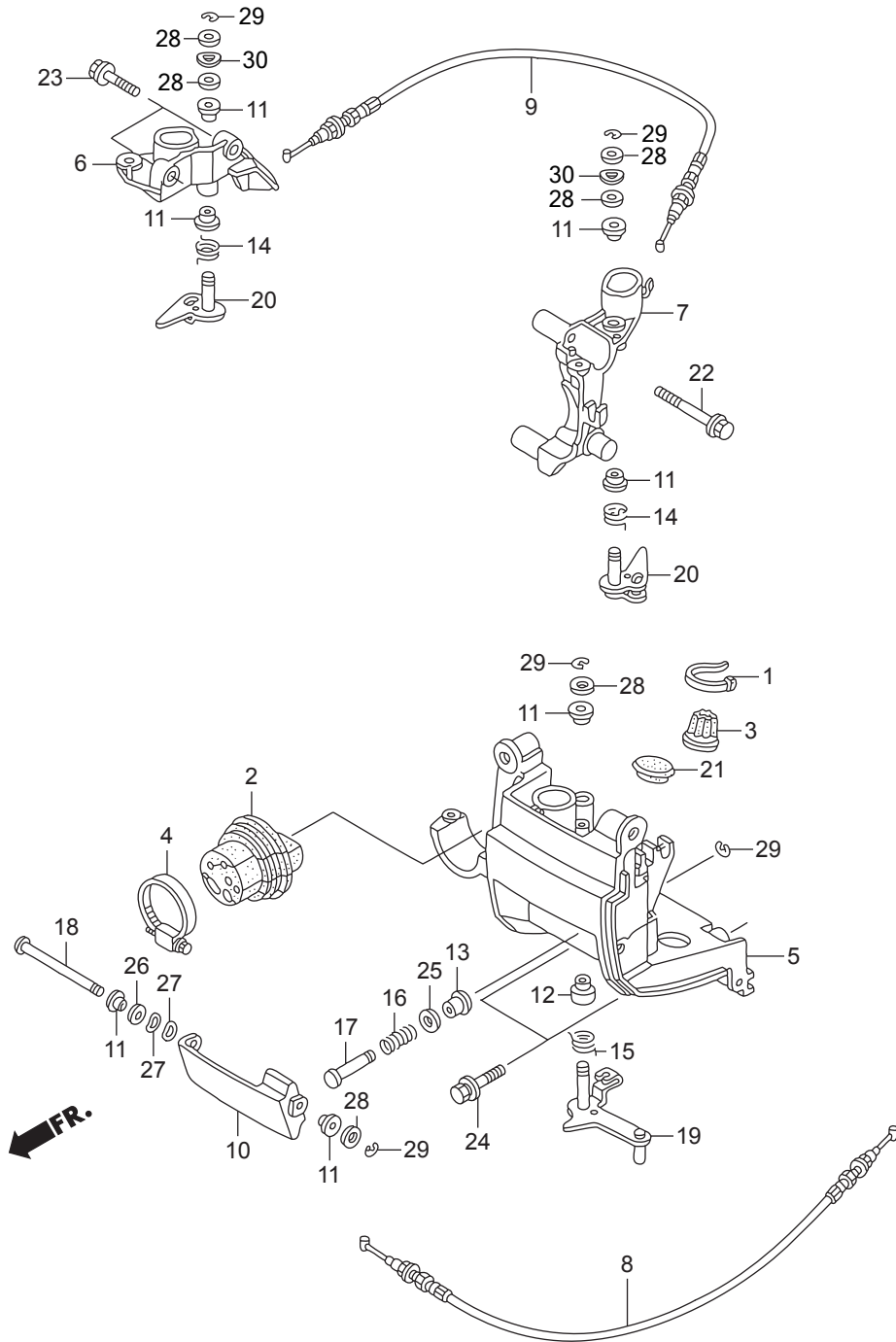


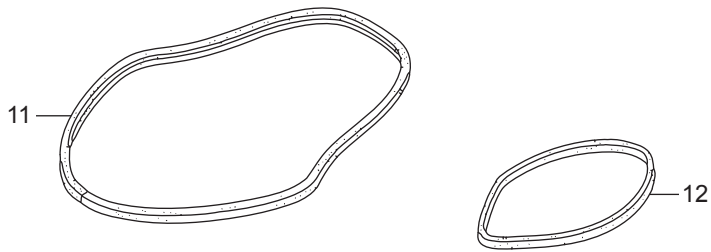
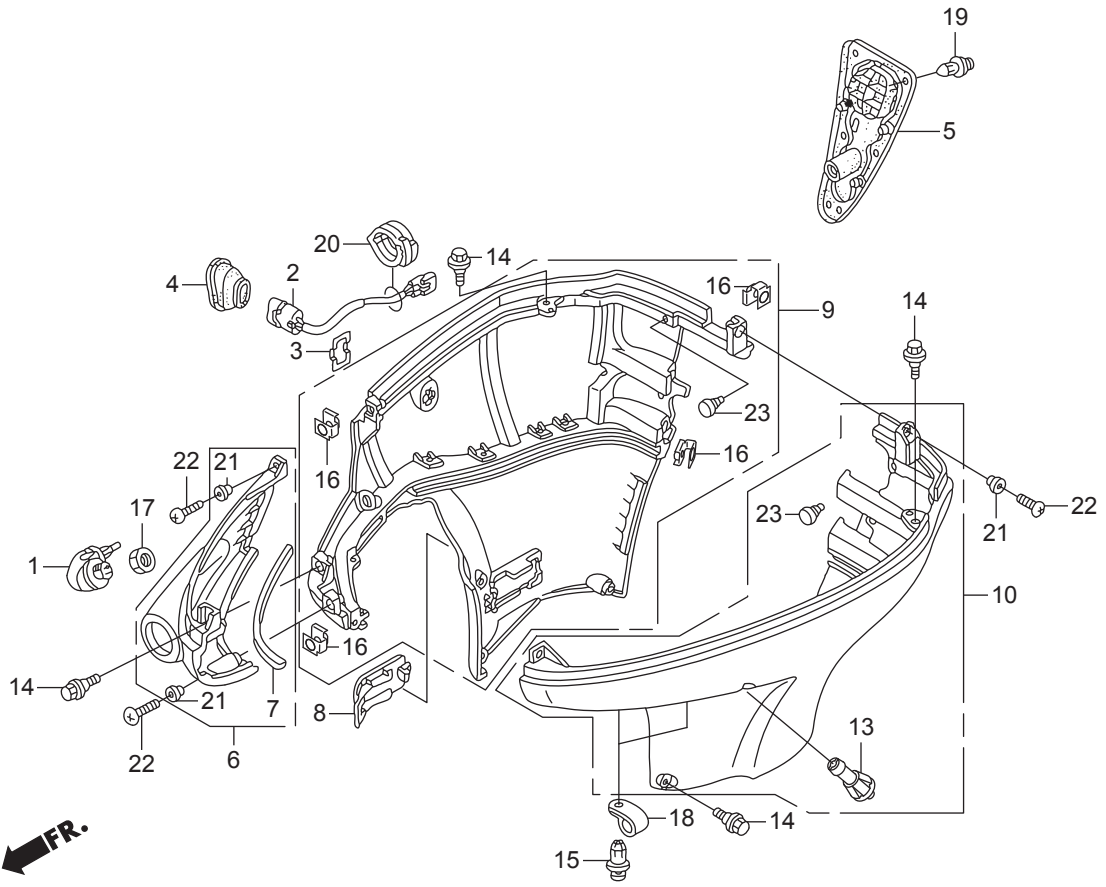


Ref.No.	Part No.	Description	Q' ty	Remarks	
			BFT115A		
F-8	1	HZX1-63100-R00ZA	COVER ASSY., ENGINE *T107* BAY BLUE	1	#~6000128 LA,XA
F-8	1	HZX1-63100-R00ZA	COVER ASSY., ENGINE *T107* BAY BLUE	1	#~7000006 XCA
F-8	1	HZX1-63100-R01ZA	COVER ASSY., ENGINE *T107* BAY BLUE	1	#6000129~6000259 LA,XA
F-8	1	HZX1-63100-R02ZA	COVER ASSY., ENGINE *T107* BAY BLUE	1	#6000260~ LA,XA
F-8	1	HZX1-63100-R02ZA	COVER ASSY., ENGINE *T107* BAY BLUE	1	#7000007~ XCA
F-8	2	HZY6-63102-010	SEAL, ENGINE COVER	1	
F-8	3	HZY3-63107-000	BRACKET, HOOK	3	#~6000259 LA,XA
F-8	3	HZY3-63107-000	BRACKET, HOOK	3	#~7000006 XCA
F-8	3	HZY3-63107-010	BRACKET, HOOK	3	#6000260~ LA,XA
F-8	3	HZY3-63107-010	BRACKET, HOOK	3	#7000007~ XCA
F-8	4	HZY3-63108-000	DAMPER, HOOK	3	
F-8	5	HZY3-63119-000	SPRING, LOCK ADJUSTER	3	
F-8	6	HZY6-63144-000	GUIDE, ENGINE COVER AIR	1	
F-8	7	HZX1-90101-R00	BOLT, SOCKET, 6X20	5	
F-8	8	HZY3-90109-010	BOLT, COVER LOCK	3	
F-8	9	HZY3-90133-000	BOLT, SOCKET, 6X16	1	
F-8	10	H921-90504-010	WASHER, PLAIN, 6MM	3	
F-8	11	HZY3-90507-000	WASHER, PLAIN, 12MM	3	
F-8	12	HZY3-91556-000	COLLAR, DISTANCE, 6.5X9X3	11	
F-8	13	HCO-93913-142J0	SCREW, TAPPING, 4X12	8	
F-8	14	HCO-94002-06490-0S	NUT, HEX., 6MM	3	
F-8	15	HZY6-06631-000	KIT, COVER HOOK	3	

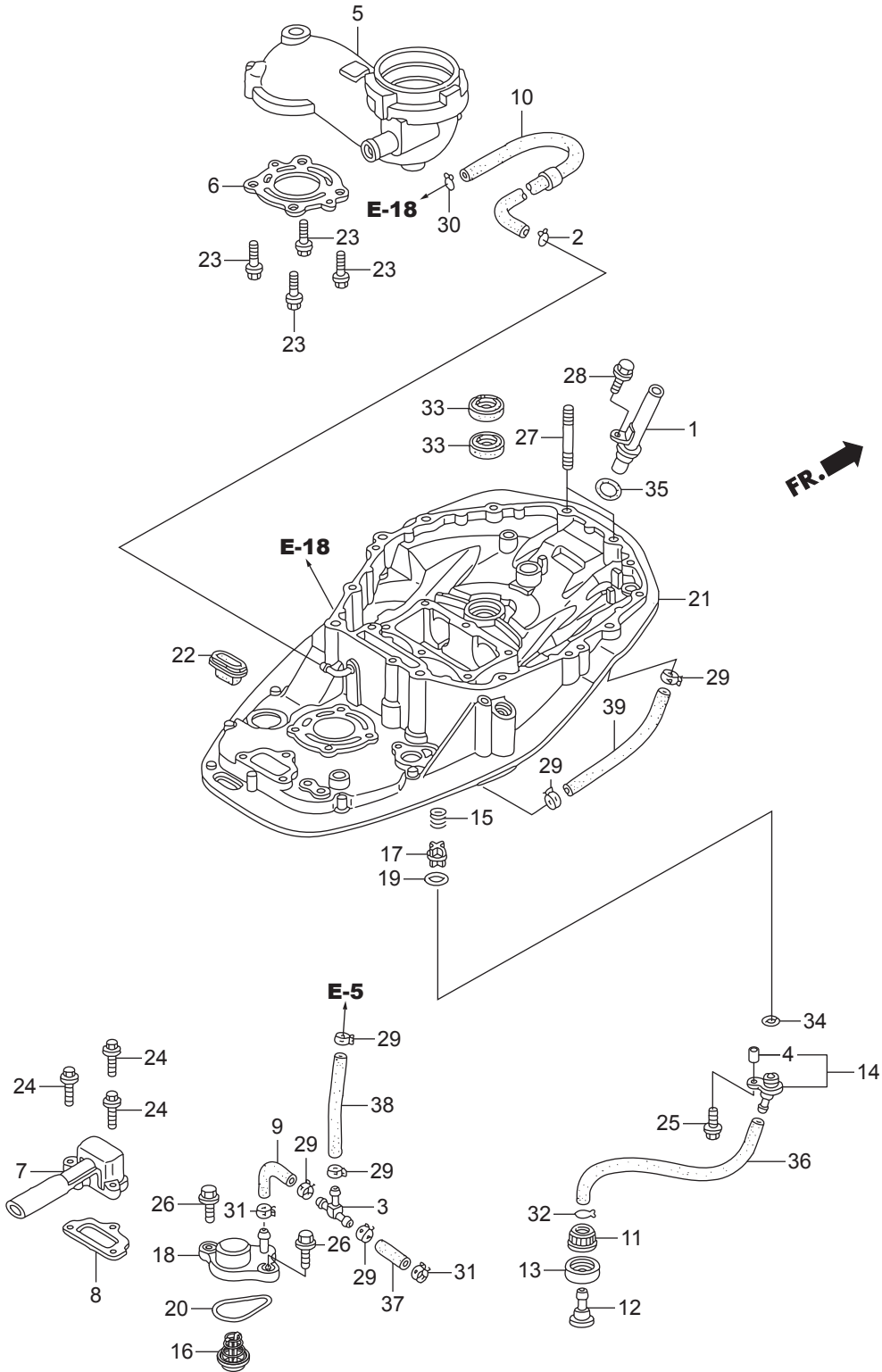


Ref.No.	Part No.	Description	Q' ty	Remarks	
			BFT115A		
F-8-10	1	HMG9-35701-950	BAND(BLACK 3.5X140)	1	
F-8-10	2	HZY6-40105-020	GROMMET, REMOTE CONTROL CABLE	1	
F-8-10	3	HZW1-40107-700	GROMMET, UNDER CASE(C)	1	
F-8-10	4	HZY3-40119-003	BAND, UNDER CASE GROMMET	1	
F-8-10	5	HZY6-40154-000ZC	BRACKET, FR. UNDER COVER	1	*T107* BAY BLUE
F-8-10	6	HZY6-40155-000	BRACKET, R. SIDE COVER	1	
F-8-10	7	HZY6-40157-000	BRACKET, L. SIDE COVER	1	
F-8-10	8	HZY6-60180-003	CABLE COMP. A, COVER LOCK	1	
F-8-10	9	HZY6-60185-003	CABLE COMP. B, COVER LOCK	1	
F-8-10	10	HZY3-63201-000ZC	LEVER, COVER LOCK	1	*T107* BAY BLUE
F-8-10	11	HZY3-63205-000	BUSH A, COVER LOCK	7	
F-8-10	12	HZY6-63205-000	BUSH A, COVER LOCK	1	
F-8-10	13	HZY3-63208-000	BUSH B, COVER LOCK	1	
F-8-10	14	HZY3-63212-000	SPRING, COVER LOCK HOOK	2	
F-8-10	15	HZY6-63212-000	SPRING, COVER LOCK HOOK	1	
F-8-10	16	HZY6-63223-000	SPRING, LOCK LEVER RETURN	1	
F-8-10	17	HZY3-63224-000	SHAFT, COVER OPEN	1	
F-8-10	18	HZY6-63225-000	SHAFT, FR. LOCK	1	
F-8-10	19	HZY6-63240-000	LOCK COMP., FR.	1	#~6000128 LA,XA
F-8-10	19	HZY6-63240-000	LOCK COMP., FR.	1	#~7000006 XCA
F-8-10	19	HZY6-63240-010	LOCK COMP., FR.	1	#6000129~ LA,XA
F-8-10	19	HZY6-63240-010	LOCK COMP., FR.	1	#7000007~ XCA
F-8-10	20	HZY3-63260-000	LOCK COMP., SIDE	2	#~6000128 LA,XA
F-8-10	20	HZY3-63260-000	LOCK COMP., SIDE	2	#~7000006 XCA
F-8-10	20	HZX2-63260-C00	LOCK COMP., SIDE	2	#6000129~ LA,XA
F-8-10	20	HZX2-63260-C00	LOCK COMP., SIDE	2	#7000007~ XCA
F-8-10	21	HZC0-63515-700	CAP, L. SIDE COVER	1	
F-8-10	22	HZY6-90001-000	BOLT, FLANGE, 8X55	2	
F-8-10	23	HZY3-90030-000	BOLT, FLANGE, 6X22	2	

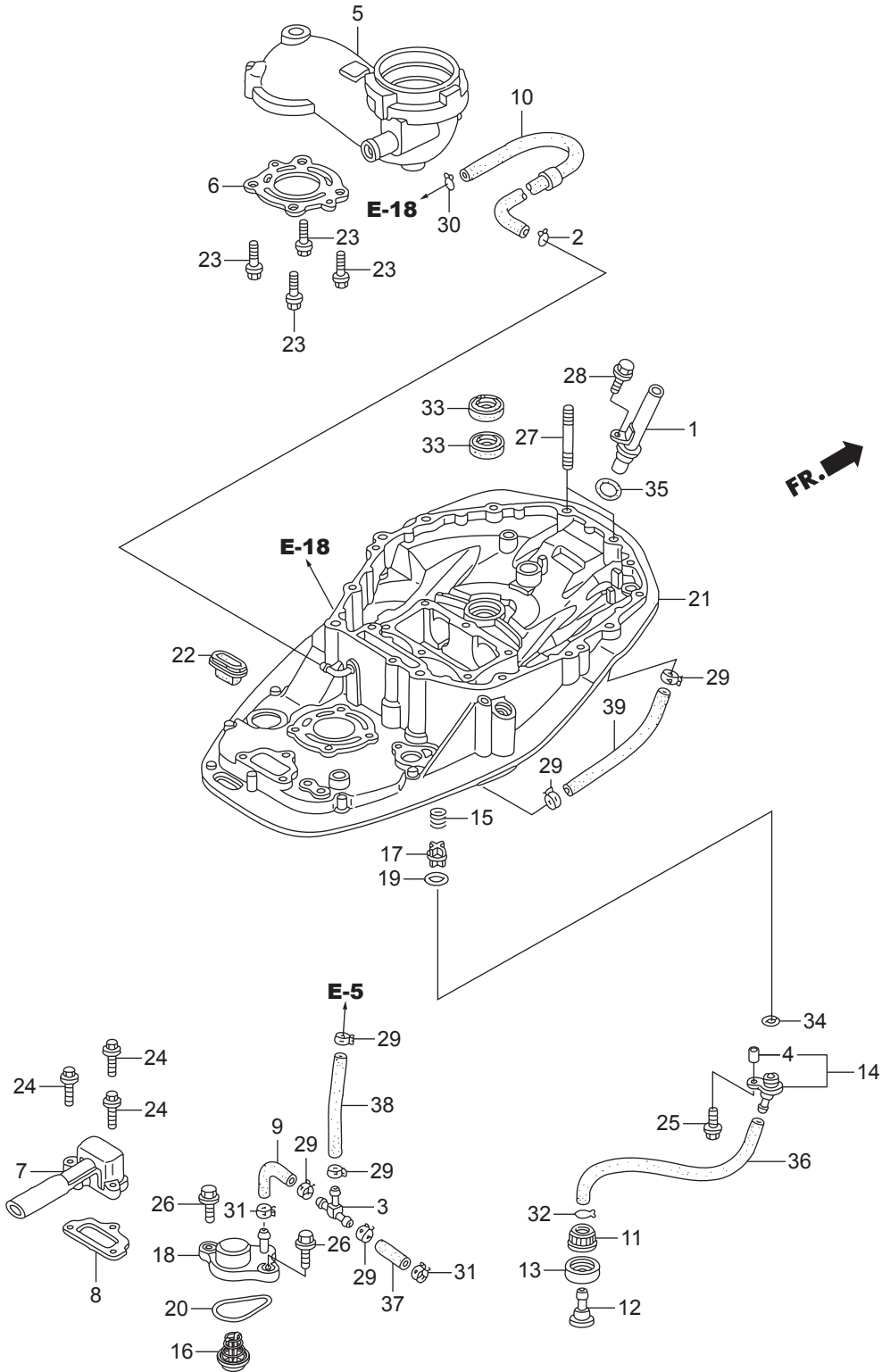


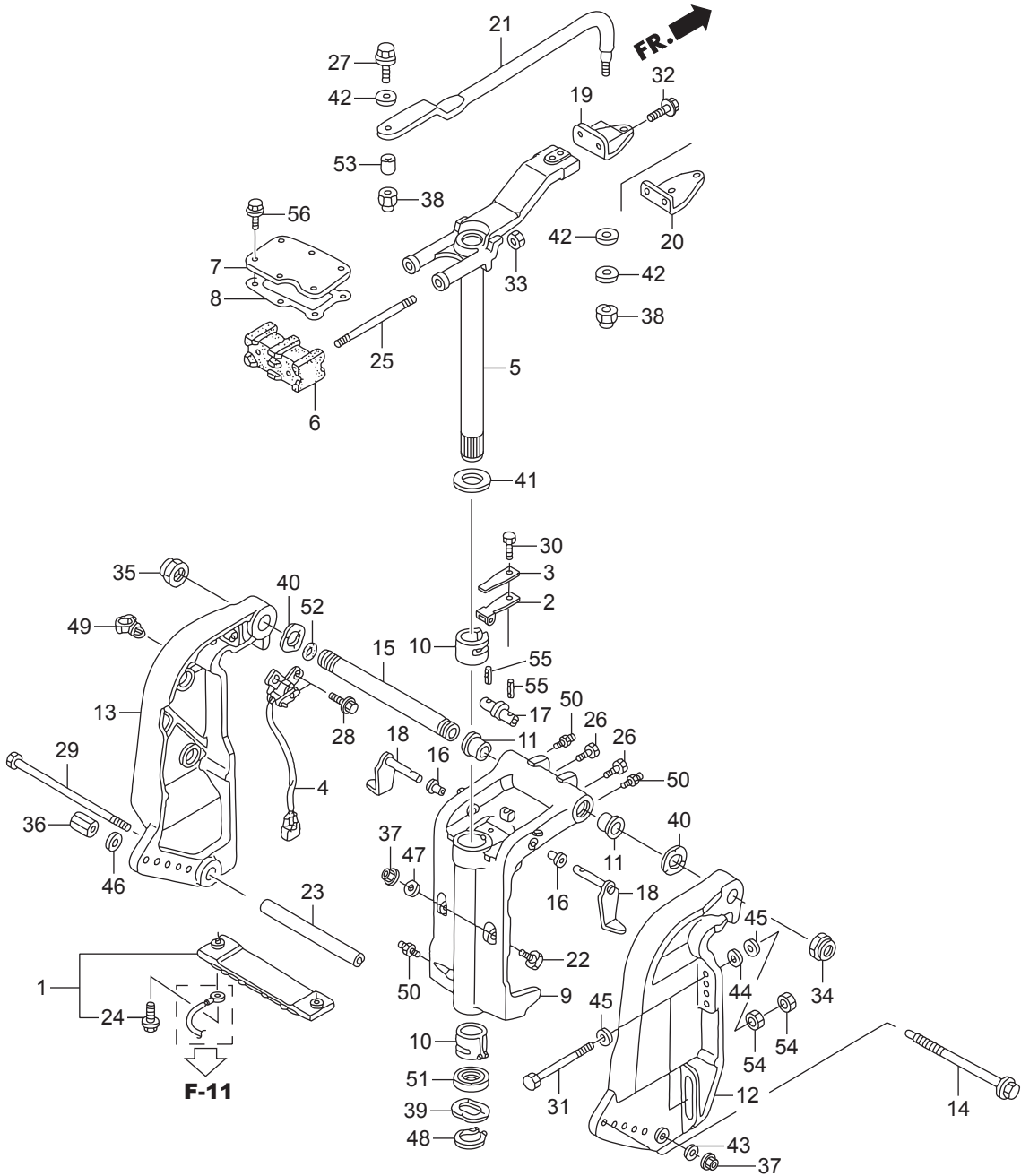


Ref.No.	Part No.	Description	Q' ty	Remarks	
			BFT115A		
F-8-20	1	HZY6-19289-000	CAP, WATER JOINT	1	
F-8-20	2	HZY6-35640-003	SWITCH ASSY., POWER TILT	1	
F-8-20	3	HZY3-35645-000	STAY, POWER TILT SWITCH	1	
F-8-20	4	HZY6-40114-010	GROMMET, POWER TILT SWITCH	1	
F-8-20	5	HZY6-40116-000	GROMMET, UNDER COVER	1	
F-8-20	6	HZY6-40151-010ZD	COVER, FR. SEPARATE	1	*T107* BAY BLUE
F-8-20	7	HZY6-40152-300	SEAL, FR. SEPARATE COVER	1	
F-8-20	8	HZY6-40212-020ZC	COVER, DRAIN PLUG	1	*T107* BAY BLUE
F-8-20	9	HZY6-63711-010ZC	COVER, R. ENGINE UNDER	1	*T107* BAY BLUE
F-8-20	10	HZY6-63716-010ZC	COVER, L. ENGINE UNDER	1	*T107* BAY BLUE
F-8-20	11	HZY6-63718-000	SEAL A, COVER UNDER	1	
F-8-20	12	HZY6-63719-000	SEAL B, COVER UNDER	1	
F-8-20	13	HZY6-82873-000	GROMMET, WATER CHECK	1	
F-8-20	14	HZY3-90111-000	BOLT, SPECIAL, 6X17	12	
F-8-20	15	HZV5-90127-003	SCREW, RIVET, 5X10	2	
F-8-20	16	HZY6-90301-000	NUT, CLIP	6	
F-8-20	17	H921-90302-000	NUT, HEX., 16MM	1	
F-8-20	18	HZB5-90626-730	CLIP(10.7MM)	2	
F-8-20	19	HHC4-90653-900	CLIP, MUDGUARD	6	
F-8-20	20	HKJ2-90683-003	CLIP, WIRE HARNESS	1	
F-8-20	21	HZY6-91553-000	COLLAR, DISTANCE, 6.5X9X5	6	
F-8-20	22	HCO-93500-06025-4J	SCREW, PAN, 6X25	6	
F-8-20	23	HCO-95011-62000	RUBBER B, STAND STOPPER	2	

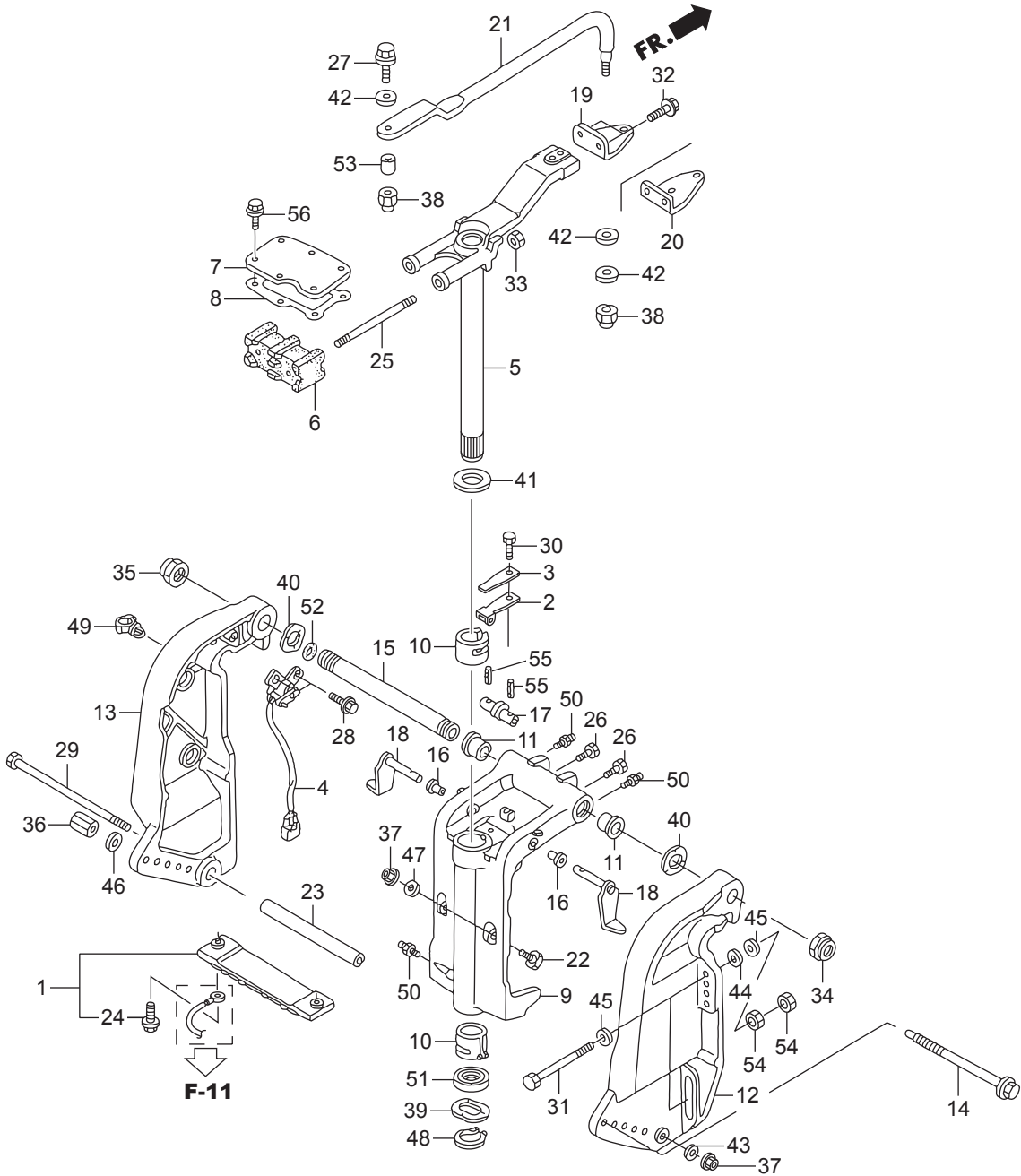


Ref.No.	Part No.	Description	Q' ty	Remarks	
			BFT115A		
F-9	1	HZW1-15665-020	PIPE COMP., OIL LEVEL	1	
F-9	2	HGHB-16163-610	CLIP, TUBE	1	
F-9	3	HMN5-17195-000	T-JOINT	1	
F-9	4	HZV5-17202-310	COLLAR, DISTANCE, 6.5X11X7.5	1	
F-9	5	HZY6-18130-000ZA	GUIDE COMP., EX.	1	*NH8* DARK GRAY
F-9	6	HZY6-18135-003	GASKET, EX. GUIDE	1	
F-9	7	HZY6-18211-000	PORT, IDLE EXHAUST	1	
F-9	8	HZY6-18212-000	GASKET, IDLE EX. PORT	1	
F-9	9	HZY6-19256-000	TUBE, WATER RELIEF	1	
F-9	10	HZY6-19267-010	TUBE F, WATER	1	
F-9	11	HZY3-19270-000	NUT, WATER MOUTH	1	
F-9	12	HZY3-19271-000	JOINT, WATER HOSE	1	
F-9	13	HZY3-19272-000	SEAT, WATER MOUTH	1	
F-9	14	HZZ3-19277-000	COVER, FLUSH VALVE	1	
F-9	15	HZW9-19279-000	SPRING, FLUSH VALVE	1	
F-9	16	HZY6-19290-003	VALVE ASSY., RELIEF	1	
F-9	17	HZW9-19291-000	VALVE, FLASH	1	
F-9	18	HZY6-19295-000	COVER, RELIEF VALVE	1	
F-9	19	HZW9-19297-000	PACKING, FLASH VALVE	1	
F-9	20	HZW9-19317-000	O-RING, THERMOSTAT COVER	1	
F-9	21	HZY6-23170-000ZA	CASE COMP., MOUNT	1	*NH8* DARK GRAY
F-9	22	HZY3-23173-010	RUBBER, MOUNT CASE SEAL	1	
F-9	23	HZY6-90014-000	BOLT, FLANGE, 8X30	4	
F-9	24	HZW9-90016-000	BOLT, FLANGE, 6X25	3	
F-9	25	HZY3-90017-000	BOLT, FLANGE, 6X16	1	
F-9	26	HZY3-90030-000	BOLT, FLANGE, 6X22	2	
F-9	27	HZY6-90045-000	BOLT, STUD, 10X55	2	
F-9	28	HZY3-90056-000	BOLT, FLANGE, 6X12	1	
F-9	29	HZY3-90601-030	CLAMP, TUBE(D10.5)	6	

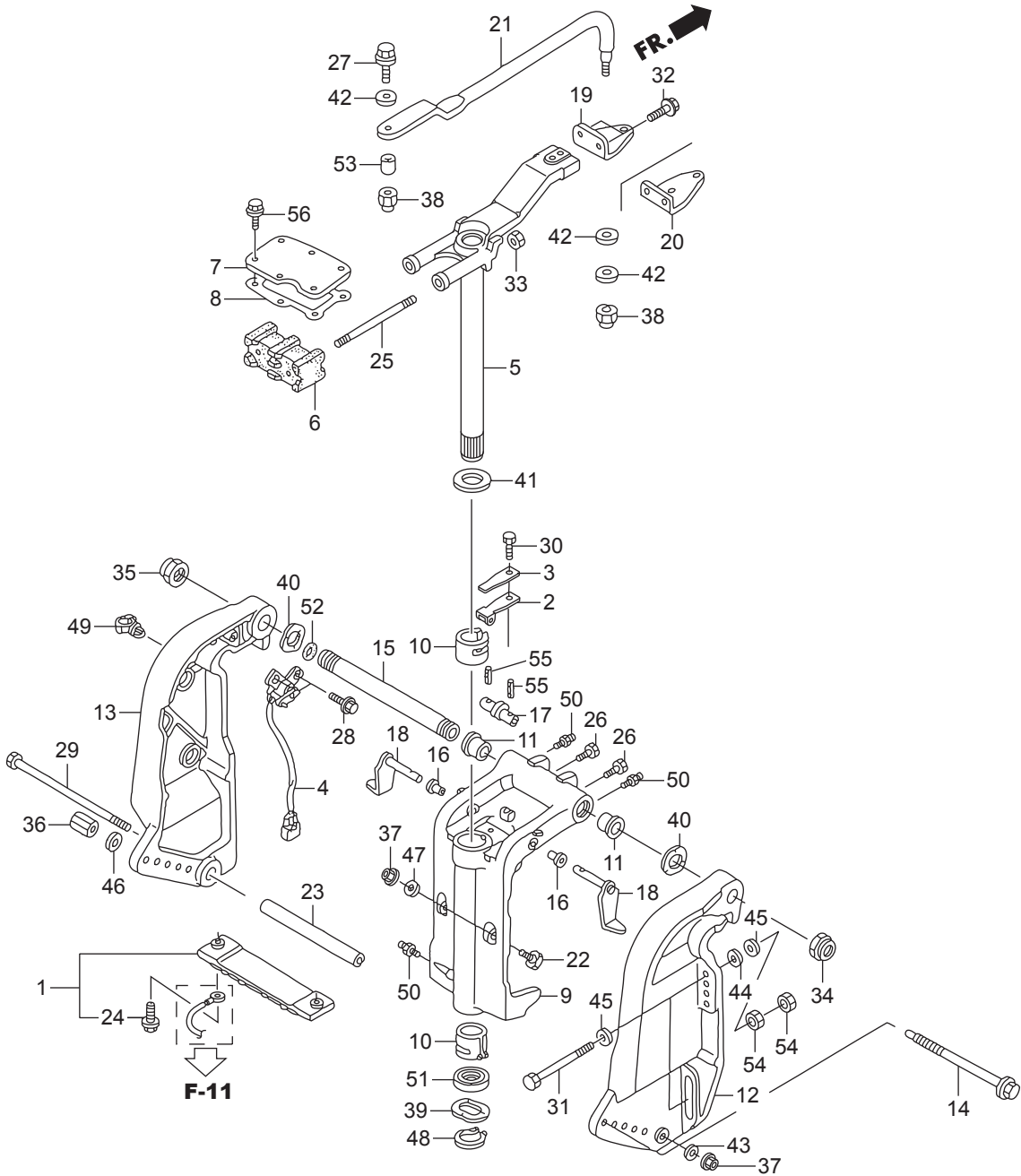


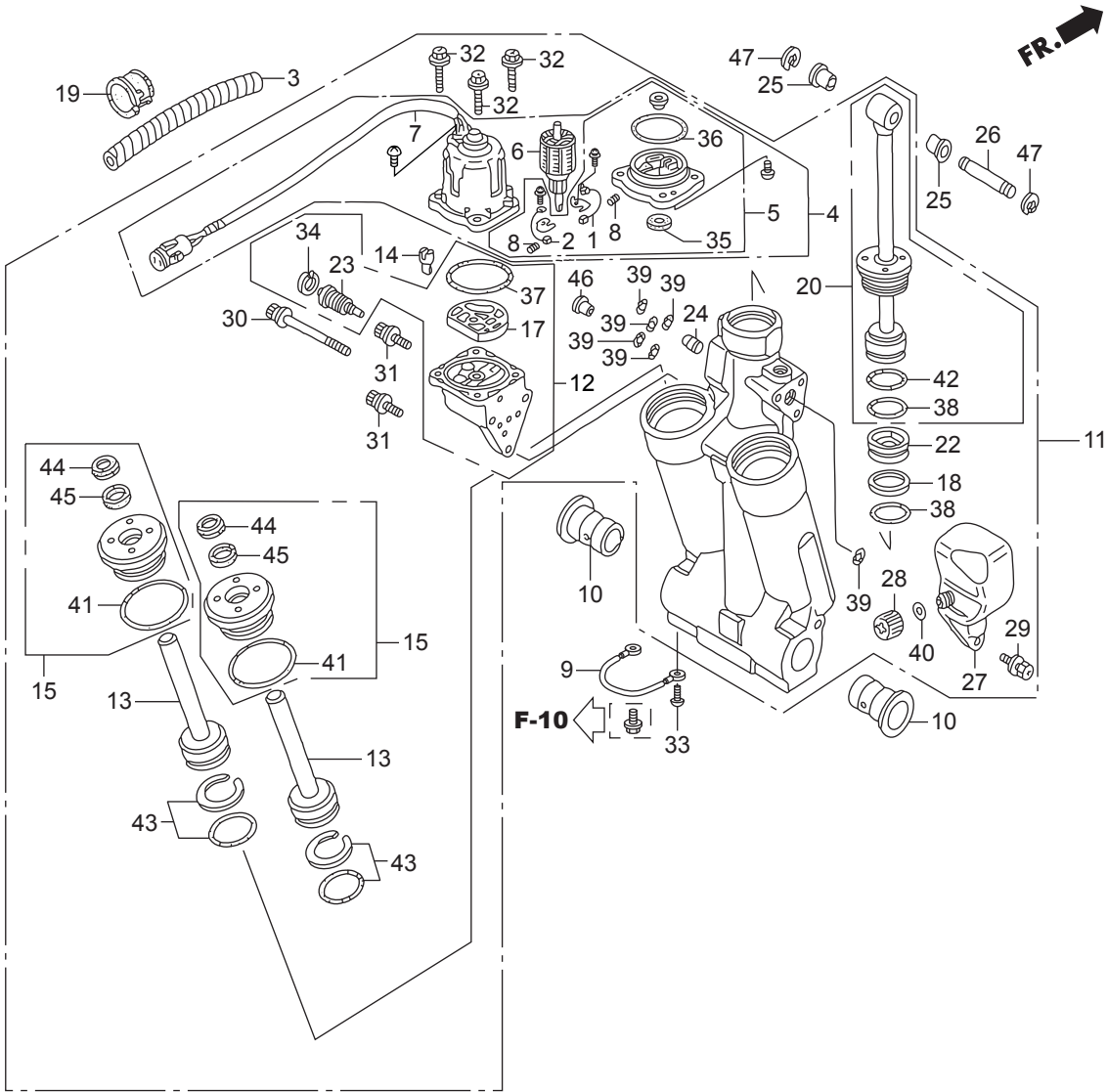


Ref.No.	Part No.	Description	Q' ty	Remarks	
			BFT115A		
F-10	1	HZW1-06411-020	METAL KIT, ANODE	1	
F-10	2	HZV1-24210-010	SPRING COMP., CLICK	1	
F-10	3	HZV4-24221-010	SPRING, CLICK ASSIST	1	
F-10	4	HZY6-35660-013	SENSOR ASSY., TRIM ANGLE	1	
F-10	5	HZX1-50100-000	FRAME COMP., MOUNTING	1	
F-10	6	HZW5-50151-000	MOUNT COMP., UPPER RUBBER	1	
F-10	7	HZY6-50167-000	HOLDER, UPPER MOUNTING	1	
F-10	8	HZY6-50168-003	GASKET, UPPER MOUNTING HOLDER	1	
F-10	9	HZW1-50201-040ZC	CASE, SWIVEL	1	*T107* BAY BLUE
F-10	10	HZZ5-50211-000	LINER, SWIVEL CASE	2	
F-10	11	HZW1-50214-000	BUSH, SWIVEL CASE	2	
F-10	12	HZW1-50301-070ZC	BRACKET, R. STERN	1	*T107* BAY BLUE
F-10	13	HZW1-50311-070ZC	BRACKET, L. STERN	1	*T107* BAY BLUE
F-10	14	HZW5-50341-010	ROD, ADJUSTING	1	
F-10	15	HZY9-50381-000	SHAFT, TILTING	1	
F-10	16	HZV5-50522-000	BUSH, TILT ARM	2	
F-10	17	HZW1-50527-000	BRACKET, TILTING	1	
F-10	18	HZW1-50529-000	STOPPER, TILT	2	
F-10	19	HZW1-53234-010	PLATE, STEERING	1	
F-10	20	HZW5-53234-010	PLATE, STEERING	1	
F-10	21	HZW1-53238-010	ROD, STEERING	1	
F-10	22	HZW1-56516-000	RECEIVER, THRUST	2	
F-10	23	HZW1-56539-000	COLLAR, LOWER CYLINDER	1	
F-10	24	HZW9-90009-000	BOLT, FLANGE, 6X23	2	
F-10	25	HZW5-90101-000	BOLT, STUD, 12X150	2	
F-10	26	HZW1-90102-000	BOLT, 1/4-28UNF	2	
F-10	27	HZW1-90105-000	BOLT, 3/8-24UNF	1	
F-10	28	HZW9-90105-000	BOLT, FLANGE, 6X20	2	
F-10	29	HZW1-90108-000	BOLT, HEX., 10X235	1	

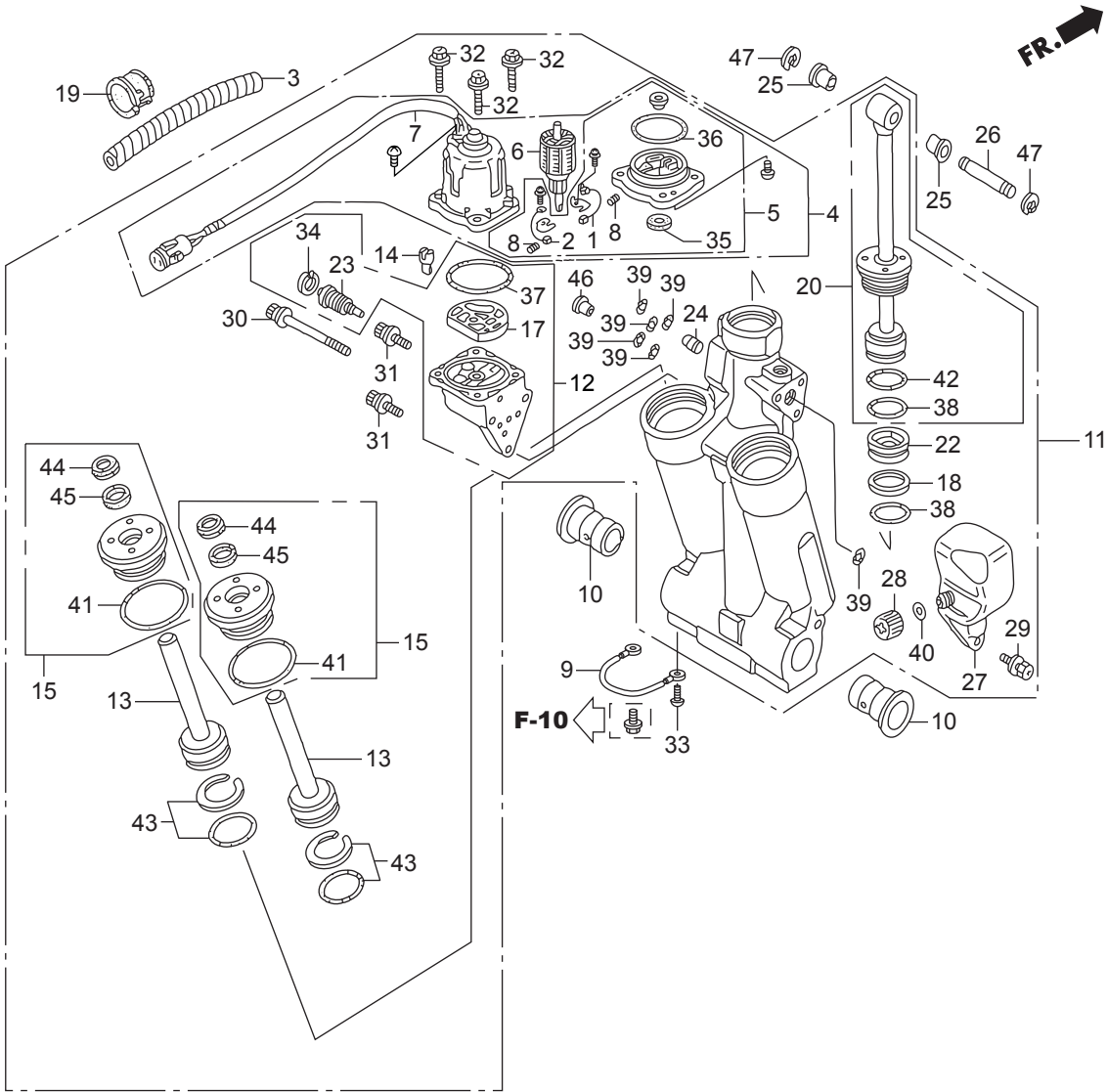


Ref.No.		Part No.	Description	Q' ty	Remarks
				BFT115A	
F-10	30	H881-90110-000	BOLT, HEX., 6X14	1	
F-10	31	HZZ3-90129-000	BOLT, HEX., 12X119	4	
F-10					
F-10					
F-10	31	HZX2-90129-000	BOLT, HEX., 12X130	4	
F-10					
F-10	32	HZW9-90154-000	BOLT, FLANGE, 10X25	2	
F-10	33	HZW5-90302-003	NUT, FLANGE, 12MM	2	
F-10	34	HZV5-90304-013	NUT, SELF-LOCK(7/8-14UNF)	1	
F-10	35	HZW1-90304-013	NUT, SELF-LOCK(25X2.0)	1	
F-10	36	HZW5-90304-000	NUT, ADJUSTER ROD	1	
F-10	37	HZW4-90306-003	NUT, FLANGE, 10MM	3	
F-10	38	HZV5-90307-003	NUT, SELF-LOCK(3/8-24UNF)	2	
F-10	39	HZV5-90501-000	WASHER, WAVE, 40MM	1	
F-10	40	HZV5-90502-000	WASHER, WAVE, 26MM	2	
F-10	41	HZV5-90504-000	WASHER, THRUST, 34MM	1	
F-10	42	HZV4-90514-000	WASHER, 10MM	3	
F-10	43	H921-90511-000	WASHER, PLAIN, 10MM	1	
F-10	44	HZV5-90552-000	WASHER, PLAIN, 12MM	3	
F-10					
F-10					
F-10					
F-10					
F-10					
F-10					
F-10					
F-10					
F-10	45	HZV5-90559-000	WASHER, PLAIN, 12MM	12	
F-10					
F-10					

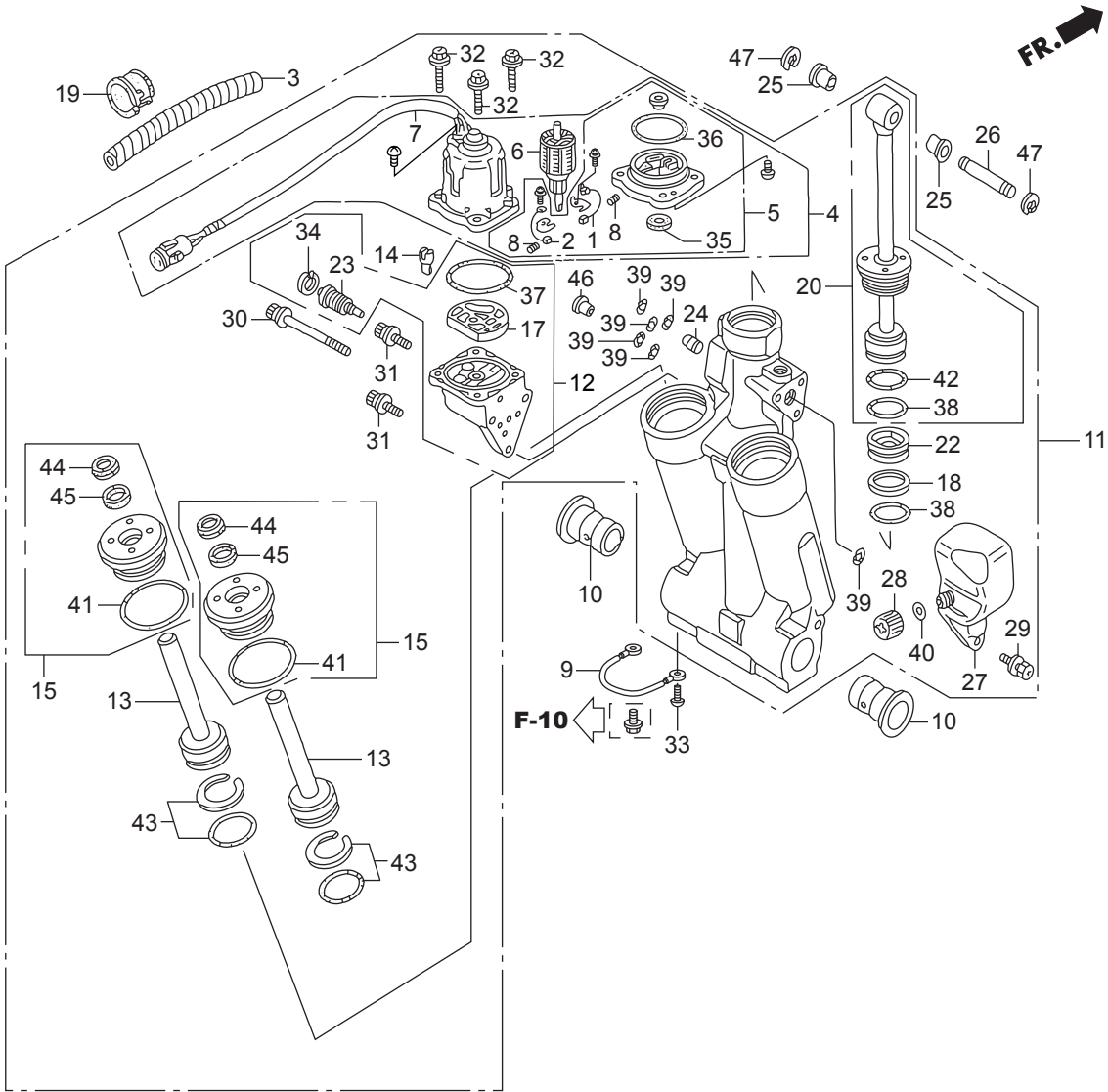


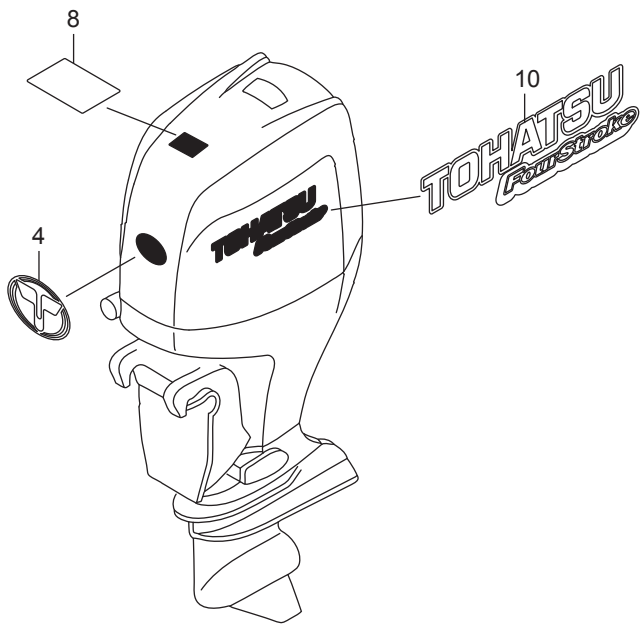
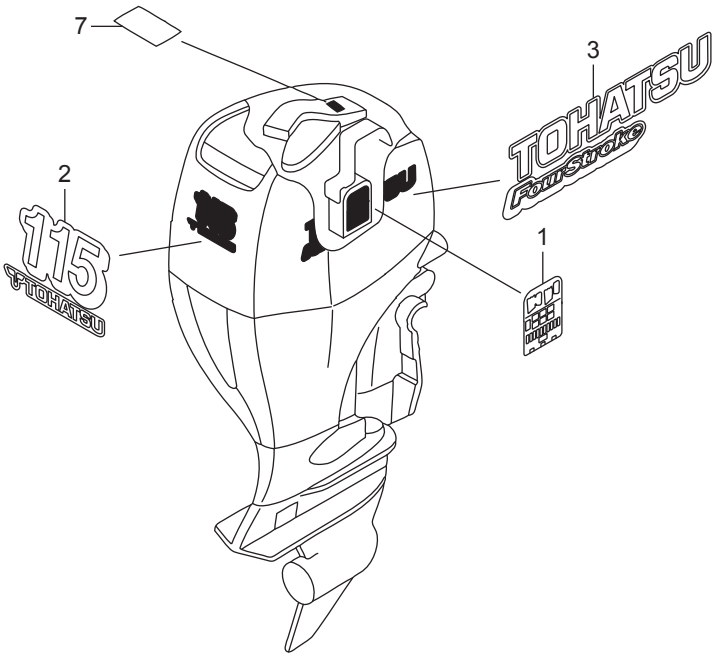


Ref.No.	Part No.	Description	Q' ty	Remarks	
			BFT115A		
F-11	1	HZY3-30280-003	BREAKER ASSY.	1	#~6000195 LA,XA
F-11	1	HZY3-30280-003	BREAKER ASSY.	1	#~7000006 XCA
F-11	1	HZX2-30280-003	BREAKER ASSY.	1	#6000196~ LA,XA
F-11	1	HZX2-30280-003	BREAKER ASSY.	1	#7000007~ XCA
F-11	2	HZY3-31106-003	BRUSH ASSY.	1	#~6000195 LA,XA
F-11	2	HZY3-31106-003	BRUSH ASSY.	1	#~7000006 XCA
F-11	2	HZX2-31106-003	BRUSH ASSY.	1	#6000196~ LA,XA
F-11	2	HZX2-31106-003	BRUSH ASSY.	1	#7000007~ XCA
F-11	3	HZV5-36104-821	TUBE, SPIRAL	1	
F-11	4	HZY6-36120-013	MOTOR ASSY., POWER TILT	1	#~6000195 LA,XA
F-11	4	HZY6-36120-013	MOTOR ASSY., POWER TILT	1	#~7000006 XCA
F-11	4	HZY6-36120-023	MOTOR ASSY., POWER TILT	1	#6000196~ LA,XA
F-11	4	HZY6-36120-023	MOTOR ASSY., POWER TILT	1	#7000007~ XCA
F-11	5	HZY3-36122-013	BRACKET ASSY.	1	#~6000195 LA,XA
F-11	5	HZY3-36122-013	BRACKET ASSY.	1	#~7000006 XCA
F-11	5	HZX2-36122-003	BRACKET ASSY.	1	#6000196~ LA,XA
F-11	5	HZX2-36122-003	BRACKET ASSY.	1	#7000007~ XCA
F-11	6	HZY3-36123-013	ARMATURE COMP.	1	
F-11	7	HZY6-36129-013	YOKE ASSY.	1	
F-11	8	HZV5-36136-821	SPRING, MOTOR	2	
F-11	9	HZY3-40219-023	WIRE, LEAD(1.5X116MM)	1	
F-11	10	HZV5-50214-003	BUSH, SWIVEL CASE	2	
F-11	11	HZY6-56000-043	TRIM-TILT ASSY., POWER	1	#~6000195 LA,XA
F-11	11	HZY6-56000-043	TRIM-TILT ASSY., POWER	1	#~7000006 XCA
F-11	11	HZY6-56000-053	TRIM-TILT ASSY., POWER	1	#6000196~ LA,XA
F-11	11	HZY6-56000-053	TRIM-TILT ASSY., POWER	1	#7000007~ XCA
F-11	12	HZY6-56100-013	PUMP ASSY.	1	
F-11	13	HZW1-56110-701	ROD COMP., PISTON(B)	2	
F-11	14	HZW1-56113-701	JOINT, DRIVE	1	

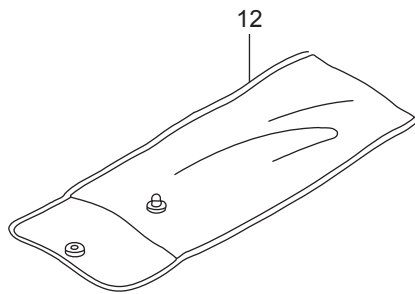
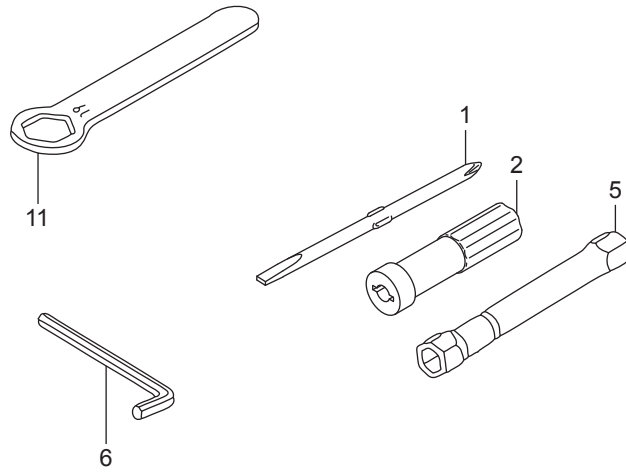


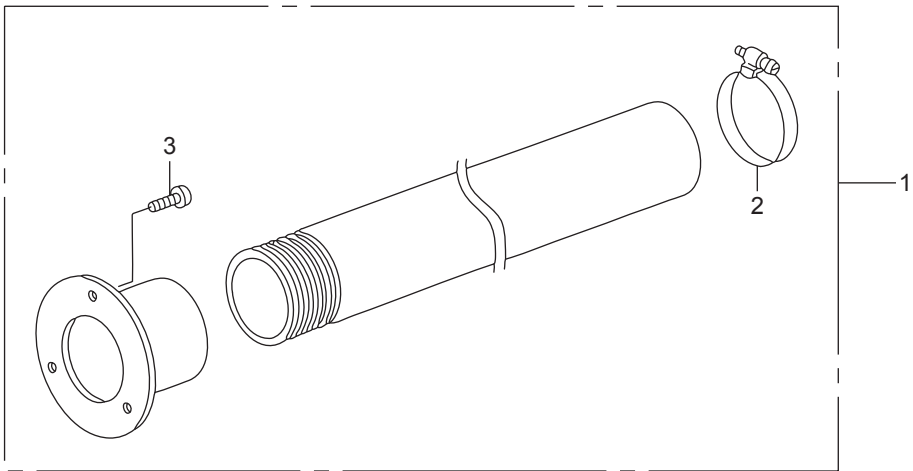
Ref.No.		Part No.	Description	Q' ty	Remarks
				BFT115A	
F-11	15	HZY9-56115-003	GUIDE COMP., ROD	2	#~6000195 LA,XA
F-11	15	HZY9-56115-003	GUIDE COMP., ROD	2	#~7000006 XCA
F-11	15	HZY9-56115-013	GUIDE COMP., ROD	2	#6000196~ LA,XA
F-11	15	HZY9-56115-013	GUIDE COMP., ROD	2	#7000007~ XCA
F-11	17	HZW1-56116-701	FILTER B	1	
F-11	18	HZV5-56117-821	RING, BACK UP	1	
F-11	19	HZV5-56118-820	BUSH, MOTOR CODE	1	
F-11	20	HZY9-56120-003	ROD COMP., PISTON	1	
F-11	22	HZW1-56130-702	PISTON COMP., FREE	1	
F-11	23	HZY3-56170-013	VALVE COMP., MANUAL	1	
F-11	24	HZW1-56180-701	VALVE COMP., RESERVOIR	1	
F-11	25	HZV5-56513-000	BUSH, LOWER CYLINDER	2	
F-11	26	HZW1-56532-000	PIN, UPPER CYLINDER	1	#~6000029 LA,XA
F-11	26	HZW1-56532-000	PIN, UPPER CYLINDER	1	#~7000000 XCA
F-11	26	HZZ0-56532-C00	PIN, UPPER CYLINDER	1	#6000030~ LA,XA
F-11	26	HZZ0-56532-C00	PIN, UPPER CYLINDER	1	#7000001~ XCA
F-11	27	HZW1-56851-703	TANK, OIL	1	
F-11	28	HZW1-56860-701	CAP COMP., OIL TANK	1	
F-11	29	HZW1-90113-702	BOLT, RECESSED	3	
F-11	30	HZW1-90114-702	BOLT, SOCKET(A)	1	
F-11	31	HZW1-90115-702	BOLT, SOCKET(B)	2	
F-11	32	HZW1-90116-702	BOLT, HEX.	4	
F-11	33	HZV5-90119-000	SCREW, PAN, 6X8	1	
F-11	34	HZW1-90652-702	CIRCLIP, INTERNAL	1	
F-11	35	HZV5-91203-821	OIL SEAL	1	
F-11	36	HZW1-91207-013	O-RING, 2.0X70.5	1	
F-11	37	HZV5-91302-821	O-RING, 1.8X69.6	1	
F-11	38	HZV5-91316-821	O-RING, 3.5X38.7	2	
F-11	39	HZW1-91352-702	O-RING, 1.8X7.7	6	

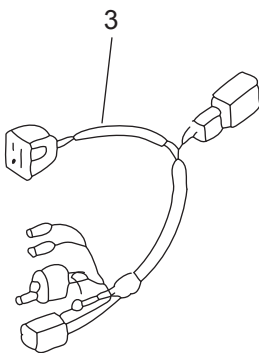
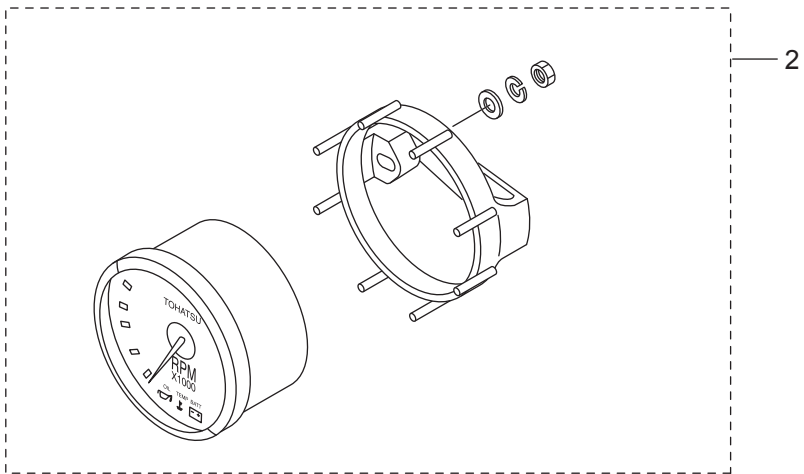
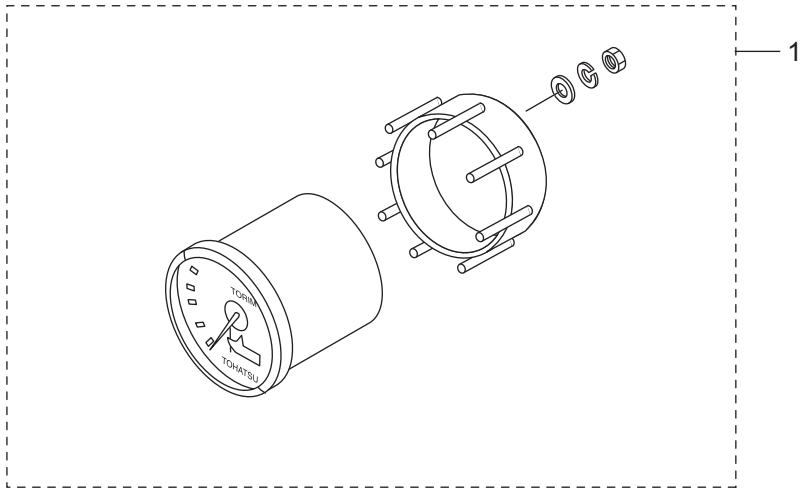


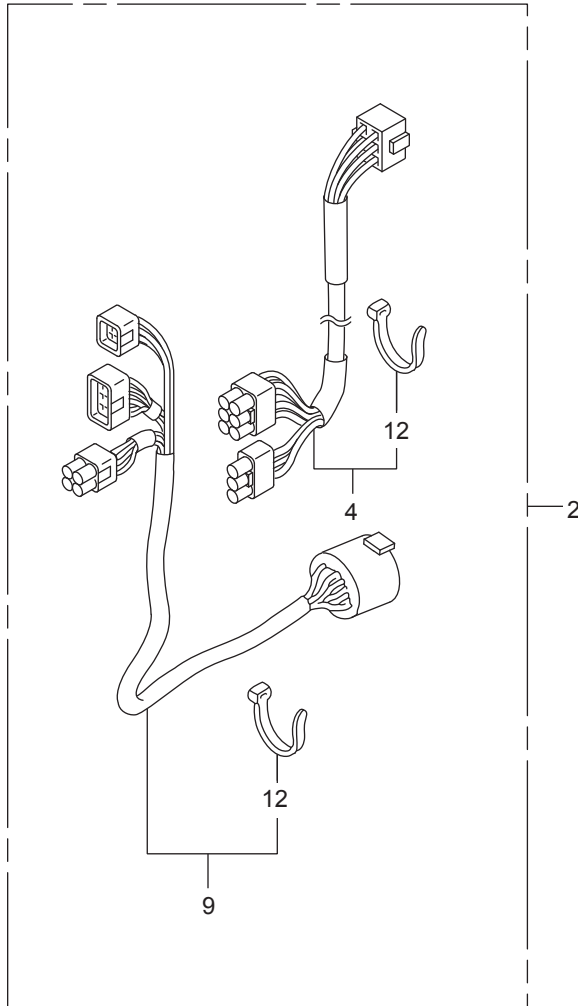


Ref.No.		Part No.	Description	Q' ty	Remarks
				BFT115A	
F-12	1	HZY6-87117-640	LABEL, FUSE	1	
F-12	2	HZX1-87121-R00	MARK, RR.(115)	1	~6000291
F-12	2	HZX1-87121-R01	MARK, RR.(115)	1	6000292~
F-12	3	HZX1-87132-R00	MARK, SIDE STRIPE	1	~6000291
F-12	3	HZY6-87132-R00	MARK, SIDE STRIPE	1	6000292~
F-12	4	HZZ3-87301-R00	MARK, FR. EMBLEM(115)	1	~6000291
F-12	4	HZX1-87301-R00	MARK, FR.(BFT115)	1	6000292~
F-12					
F-12					
F-12	7	HZY6-87531-000	LABEL, OIL CAUTION(E)	1	
F-12	7	HZY6-87531-620	LABEL, OIL CAUTION(EF)	1	LC,XC
F-12	8	HZV1-87538-C23	LABEL, WARNING OPERATOR	1	
F-12	8	HZW1-87538-721	LABEL, WARNING OPERATOR(EC)	1	LC,XC
F-12	10	HZX1-87133-R00	MARK, SIDE STRIPE	1	~6000291
F-12	10	HZY6-87132-R00	MARK, SIDE STRIPE	1	6000292~

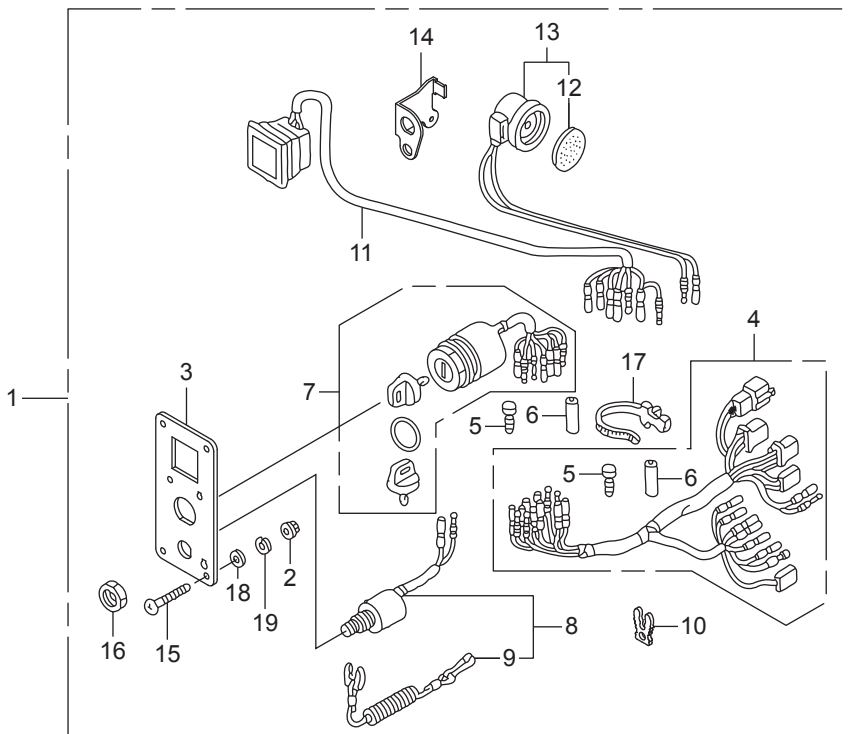




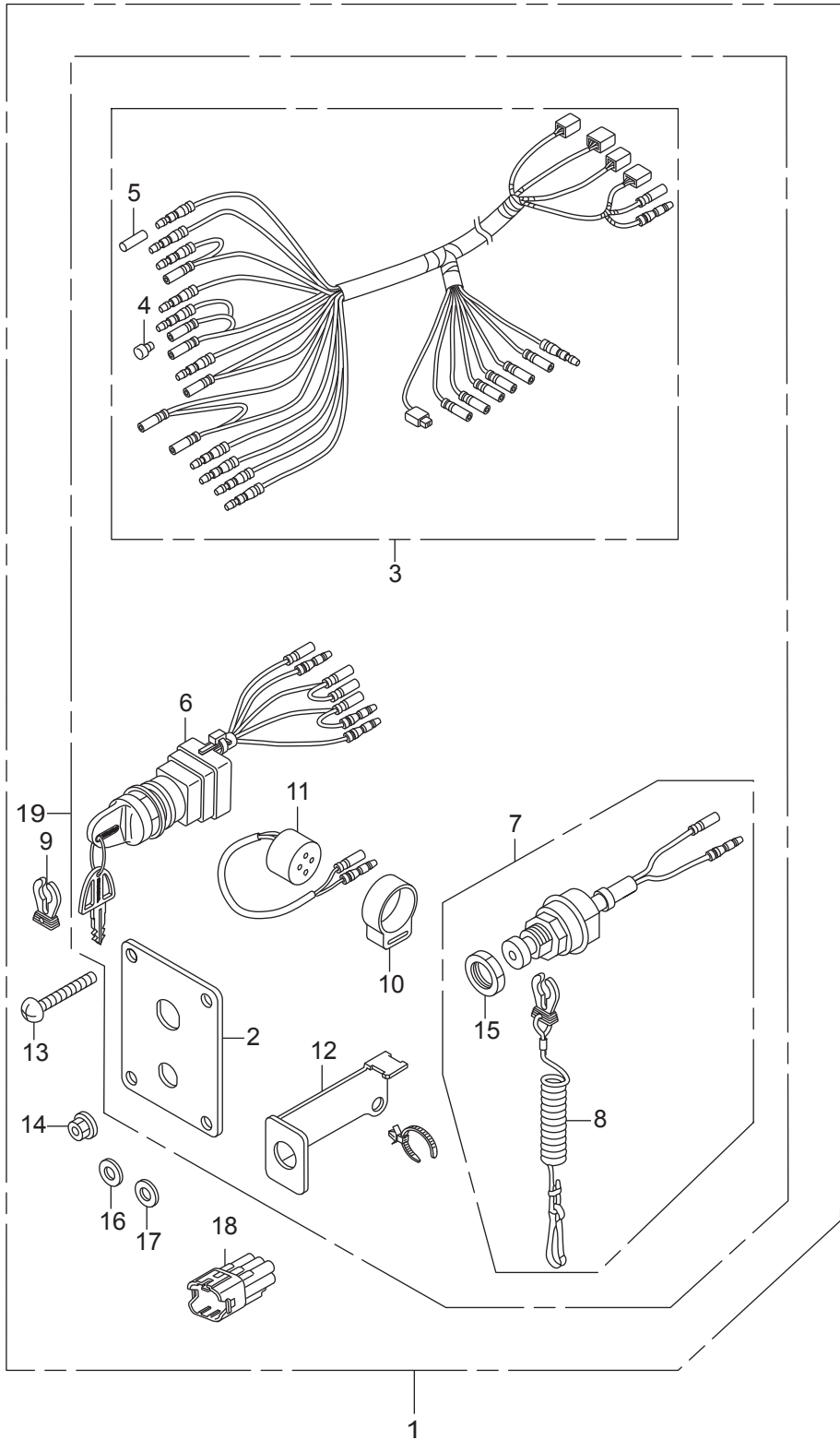




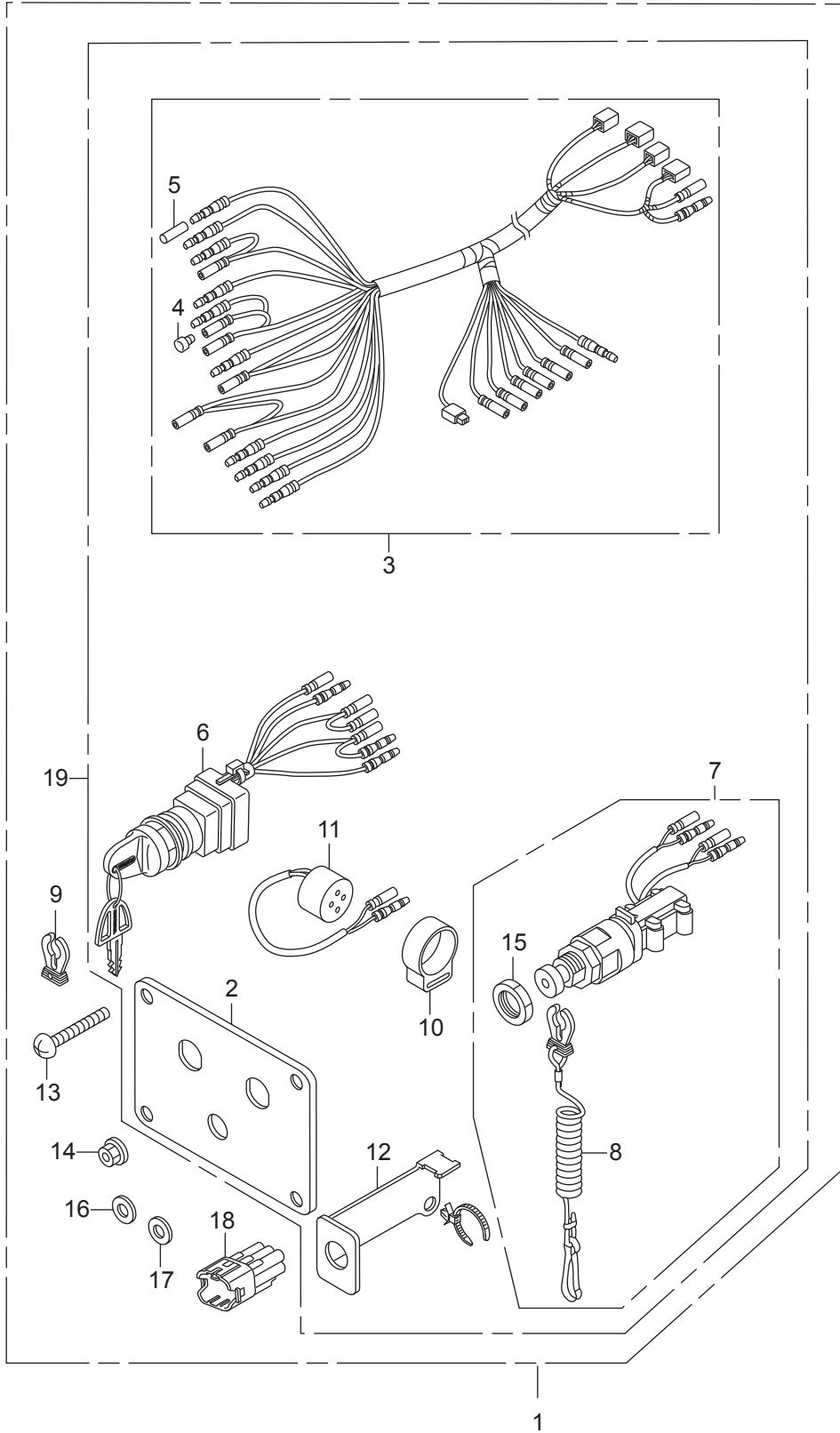
Ref.No.	Part No.	Description	Q' ty	Remarks
			BFT115A	
FOP-6				
FOP-6				
FOP-6	2	HZZ5-06325-600	CABLE SET, PANEL INDICATOR	1 (20FT)
FOP-6	2	HZZ5-06325-700	CABLE SET, PANEL INDICATOR	1 (25FT)
FOP-6	2	HZZ5-06325-800	CABLE SET, PANEL INDICATOR	1 (30FT)
FOP-6				
FOP-6	4	HZZ5-32185-600	CORD ASSY., INDICATOR(20FT)	1
FOP-6	4	HZZ5-32185-700	CORD ASSY., INDICATOR(25FT)	1
FOP-6	4	HZZ5-32185-800	CORD ASSY., INDICATOR(30FT)	1
FOP-6				
FOP-6				
FOP-6				
FOP-6				
FOP-6				
FOP-6				
FOP-6	9	HZZ5-32580-600	CABLE ASSY., SWITCH PANEL	1 (20FT)
FOP-6	9	HZZ5-32580-700	CABLE ASSY., SWITCH PANEL	1 (25FT)
FOP-6	9	HZZ5-32580-800	CABLE ASSY., SWITCH PANEL	1 (30FT)
FOP-6				
FOP-6				
FOP-6	12	H952-32901-770	TIE, CABLE(NATURAL)(2.4X92)	6

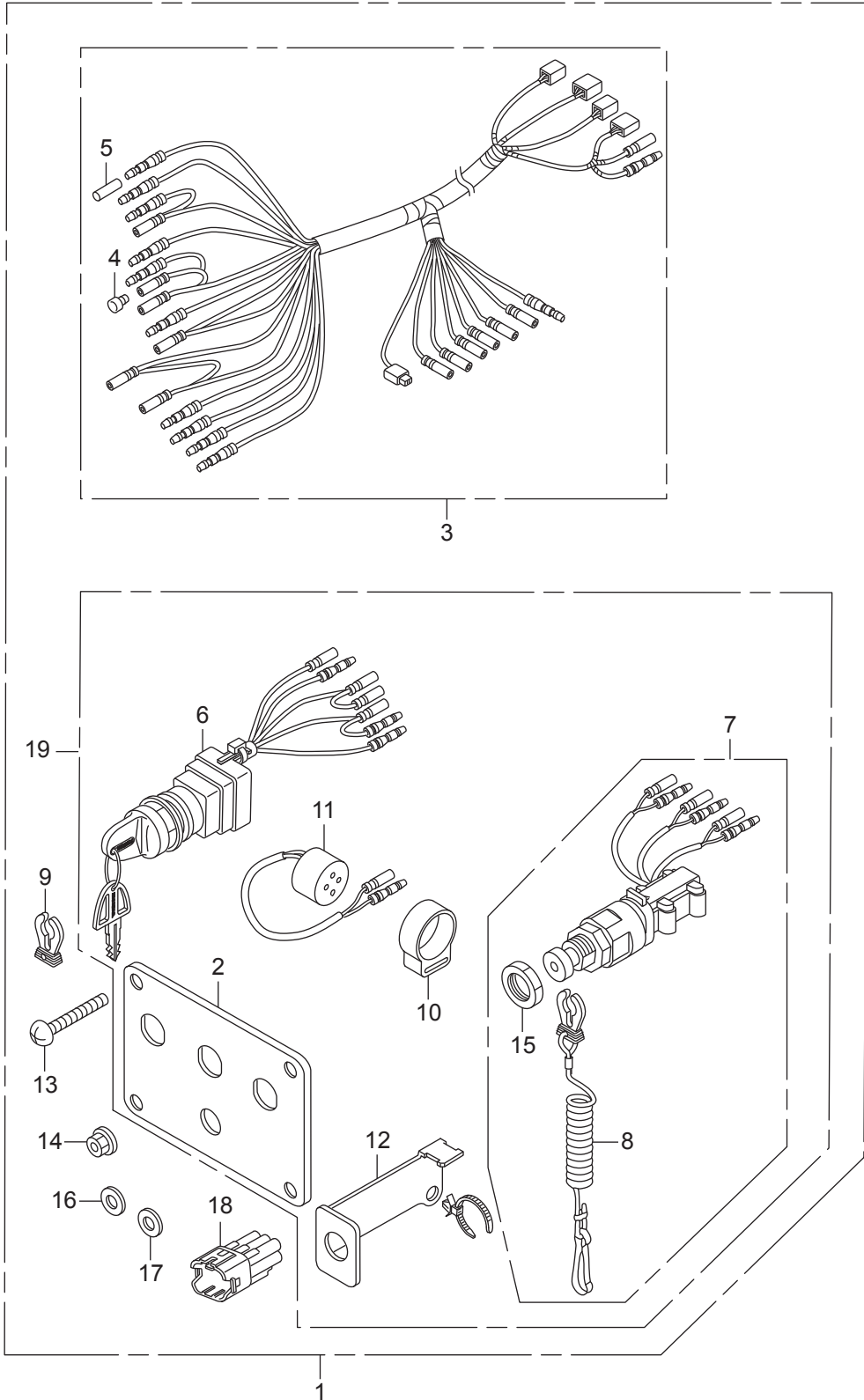


Ref.No.	Part No.	Description	Q' ty	Remarks	
			BFT115A		
FOP-6-1	1	HZZ3-06323-R30	PANEL KIT, SWITCH(4-LED)	1	
FOP-6-1	1	HZZ3-06323-R10	PANEL KIT, SWITCH(4-LED) (EU)	1	LU,XU
FOP-6-1	2	HMT8-18334-770	NUT, FLANGE, 5MM	4	
FOP-6-1	3	HZZ3-32346-R31	PANEL, CONTROL	1	
FOP-6-1	3	HZZ3-32346-R11	PANEL, CONTROL	1	LU,XU
FOP-6-1	4	HZZ5-32545-000	HARNESS ASSY., SWITCH PANEL	1	
FOP-6-1	5	HZV5-32823-003	PLUG, INNER CONNECTOR	8	
FOP-6-1	6	HZV5-32824-003	PLUG, OUTER CONNECTOR	3	
FOP-6-1	7	HZZ3-35100-R11	SWITCH ASSY., COMBINATION	1	
FOP-6-1	8	HZV5-36180-033	SWITCH ASSY., EMERGENCY STOP	1	
FOP-6-1	9	HZV4-36182-651	CORD COMP., EMERGENCY	1	
FOP-6-1	10	HZV4-36187-652	CLIP, EMERGENCY LOCK	1	
FOP-6-1	11	HZZ5-37210-712	LAMP ASSY., INDICATION(4-LED)	1	
FOP-6-1	12	H341-38403-672	PLATE, WINKER BUZZER	1	
FOP-6-1	13	HZV5-38410-003	BUZZER COMP., WARNING	1	
FOP-6-1	14	HZZ5-38414-003	BRACKET, BUZZER	1	
FOP-6-1	15	HZW5-90109-000	SCREW, PAN, 5X40	4	
FOP-6-1	16	H921-90302-000	NUT, HEX., 16MM	1	
FOP-6-1	17	HSC2-90649-003	BAND, WIRE HARNESS(NATURAL)	1	(150MM)
FOP-6-1	18	HCO-94103-05400	WASHER, PLAIN, 5MM	4	
FOP-6-1	19	HCO-94111-05400	WASHER, SPRING, 5MM	4	

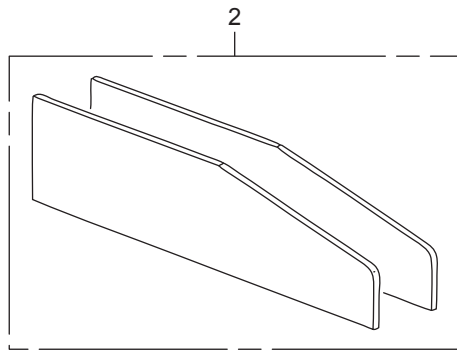
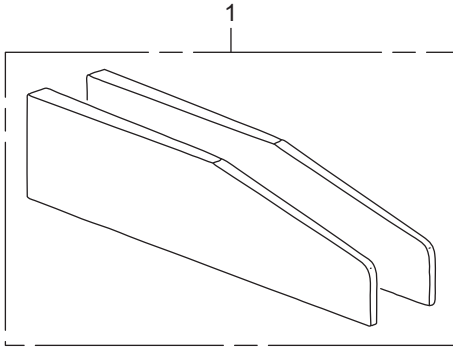


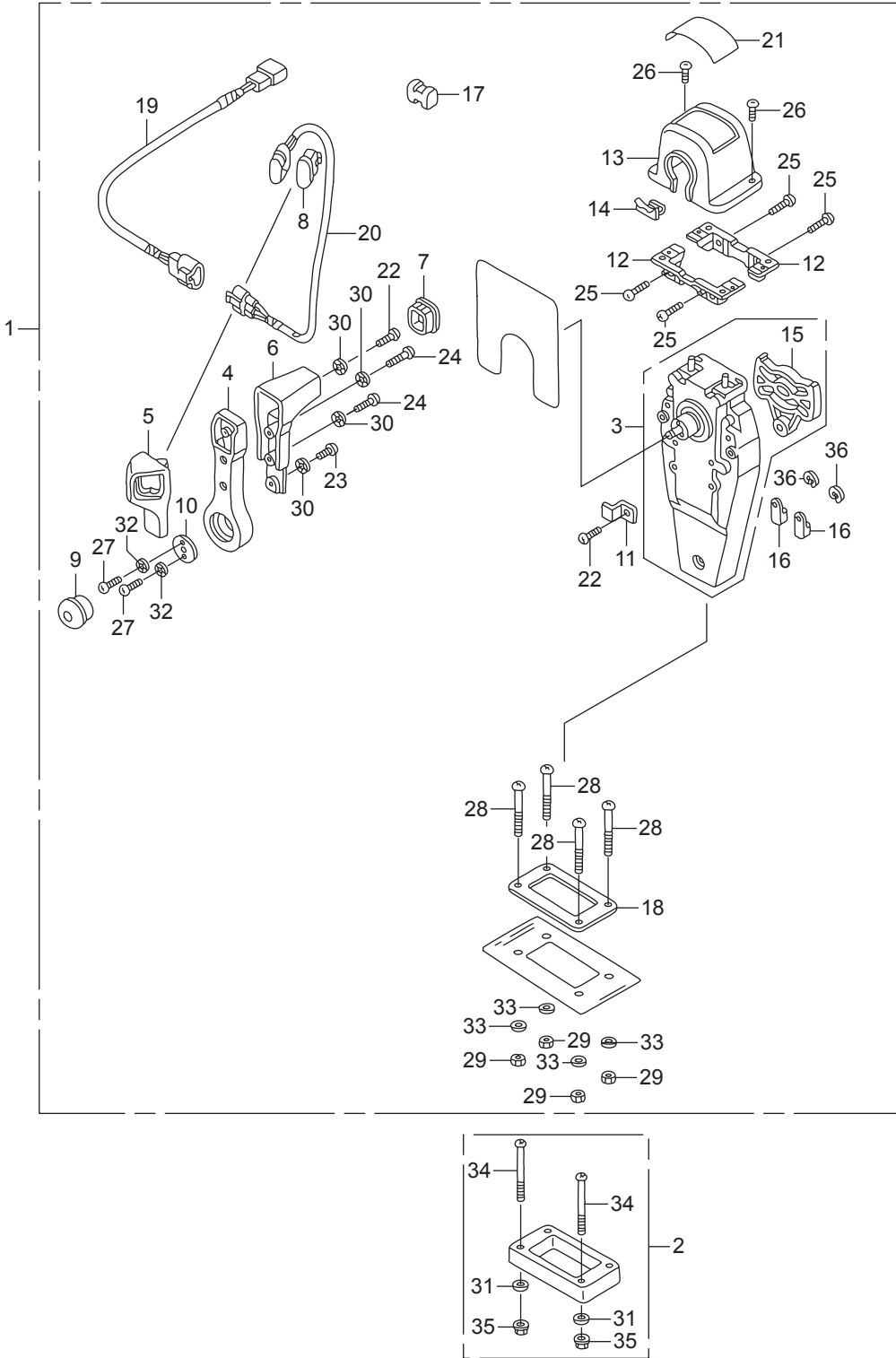
Ref.No.	Part No.	Description	Q' ty	Remarks	
			BFT115A		
FOP-6-2	1	HZY6-06323-R00	PANEL KIT, SWITCH(SINGLE)	1	
FOP-6-2	2	HZY6-32346-R01	PANEL, CONTROL(SINGLE)	1	
FOP-6-2	3	HZY6-32545-003	HARNESS ASSY., SWITCH PANEL	1	
FOP-6-2	4	HZV5-32823-003	PLUG, INNER CONNECTOR	9	
FOP-6-2	5	HZV5-32824-003	PLUG, OUTER CONNECTOR	7	
FOP-6-2	6	HZY6-35100-R01	SWITCH ASSY., COMBINATION	1	
FOP-6-2	7	HZY6-36180-003	SWITCH ASSY., EMERGENCY STOP(SINGLE)	1	
FOP-6-2	8	HZY6-36182-003	CORD COMP., EMERGENCY	1	
FOP-6-2	9	HZY6-36187-003	CLIP, EMERGENCY LOCK	1	
FOP-6-2	10	HGC1-38402-000	SUSPENSION, AUDIBLE PILOT	1	
FOP-6-2	11	HZY9-38410-A01	BUZZER COMP., WARNING	1	
FOP-6-2	12	HZY6-38414-003	BRACKET	1	
FOP-6-2	13	HZW5-90109-000	SCREW, PAN, 5X40	4	
FOP-6-2	14	HZZ5-90301-M00	NUT, FLANGE, 5MM	4	
FOP-6-2	15	HZY6-90302-003	NUT	1	
FOP-6-2	16	HZZ5-90501-M00	WASHER, PLAIN, 5MM	4	
FOP-6-2	17	HZZ5-90502-M00	WASHER, SPRING, 5MM	4	
FOP-6-2	18	HZY6-32606-000	DUMMY, WATER PROOF (GREEN)	1	
FOP-6-2	19	HZY6-32340-R01	PANEL ASSY., CONTROL(SINGLE)	1	



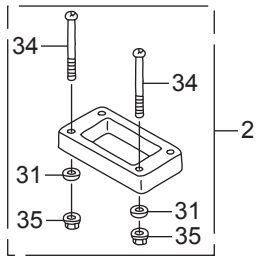
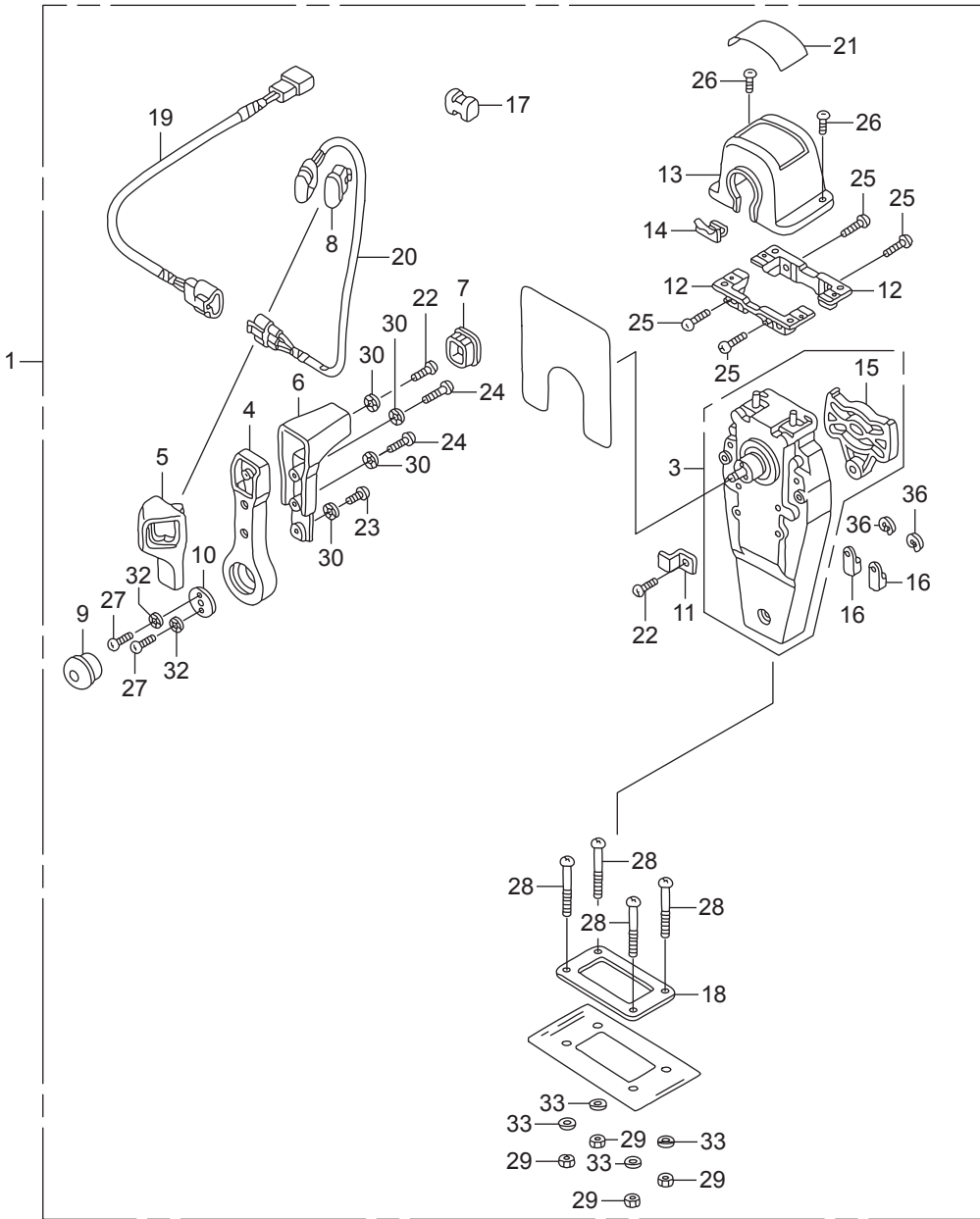


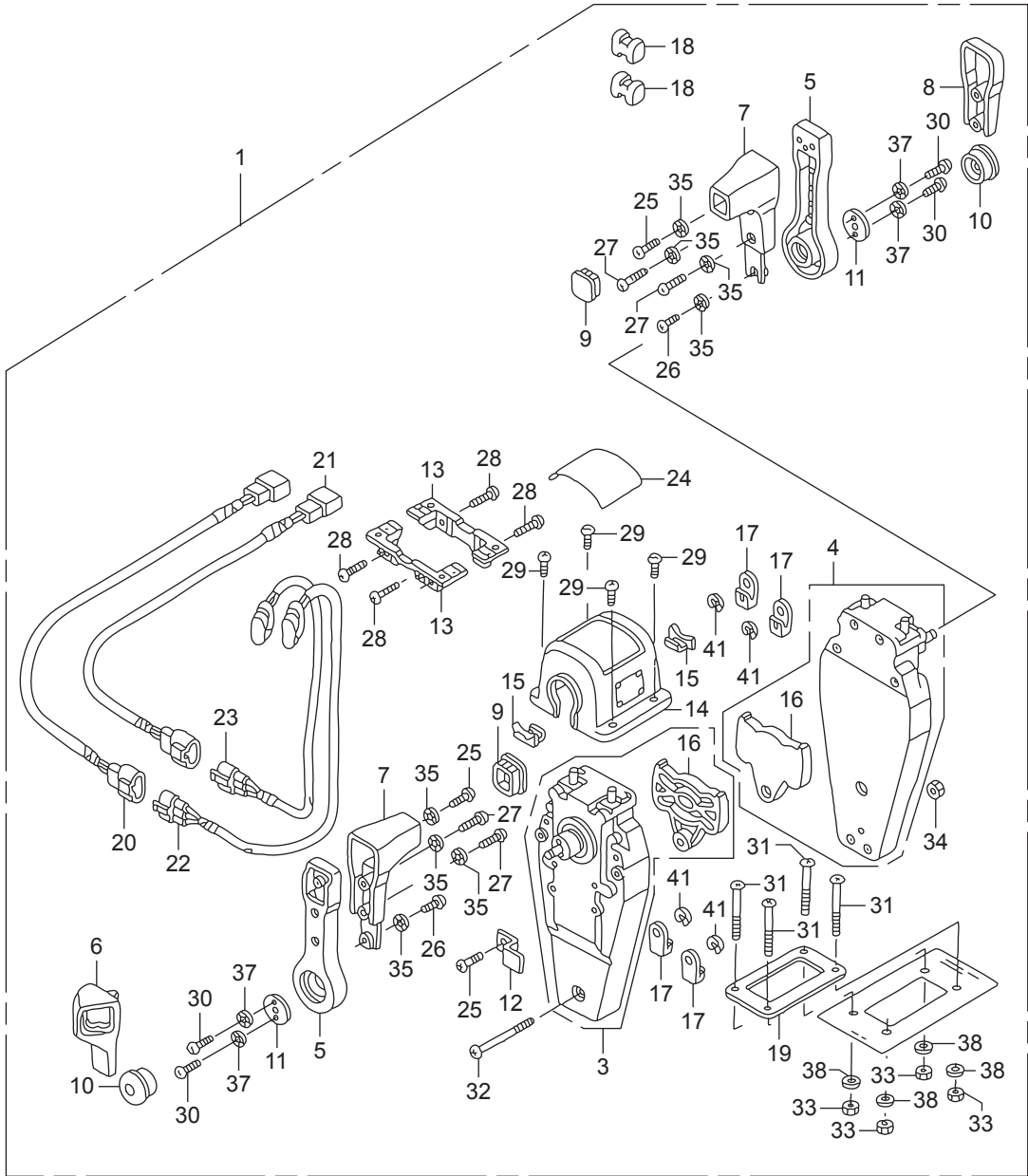
Ref.No.	Part No.	Description	Q' ty	Remarks	
			BFT115A		
FOP-6-4	1	HZY6-06323-R20	PANEL KIT, SWITCH(TRIPLE)	1	
FOP-6-4	2	HZY6-32346-R21	PANEL, CONTROL(TRIPLE)	1	
FOP-6-4	3	HZY6-32545-003	HARNESS ASSY., SWITCH PANEL	3	
FOP-6-4	4	HZV5-32823-003	PLUG, INNER CONNECTOR	27	
FOP-6-4	5	HZV5-32824-003	PLUG, OUTER CONNECTOR	21	
FOP-6-4	6	HZY6-35100-R01	SWITCH ASSY., COMBINATION	3	
FOP-6-4	7	HZY6-36180-612	SWITCH ASSY., EMERGENCY STOP (TRIPLE)	1	
FOP-6-4	8	HZY6-36182-003	CORD COMP., EMERGENCY	1	
FOP-6-4	9	HZY6-36187-003	CLIP, EMERGENCY LOCK	1	
FOP-6-4	10	HGC1-38402-000	SUSPENSION, AUDIBLE PILOT	3	
FOP-6-4	11	HZY9-38410-A01	BUZZER COMP., WARNING	3	
FOP-6-4	12	HZY6-38414-003	BRACKET	3	
FOP-6-4	13	HZW5-90109-000	SCREW, PAN, 5X40	4	
FOP-6-4	14	HZZ5-90301-M00	NUT, FLANGE, 5MM	4	
FOP-6-4	15	HZY6-90302-003	NUT	1	
FOP-6-4	16	HZZ5-90501-M00	WASHER, PLAIN, 5MM	4	
FOP-6-4	17	HZZ5-90502-M00	WASHER, SPRING, 5MM	4	
FOP-6-4	18	HZY6-32606-000	DUMMY, WATER PROOF (GREEN)	3	
FOP-6-4	19	HZY6-32340-R21	PANEL ASSY., CONTROL(TRIPLE)	1	



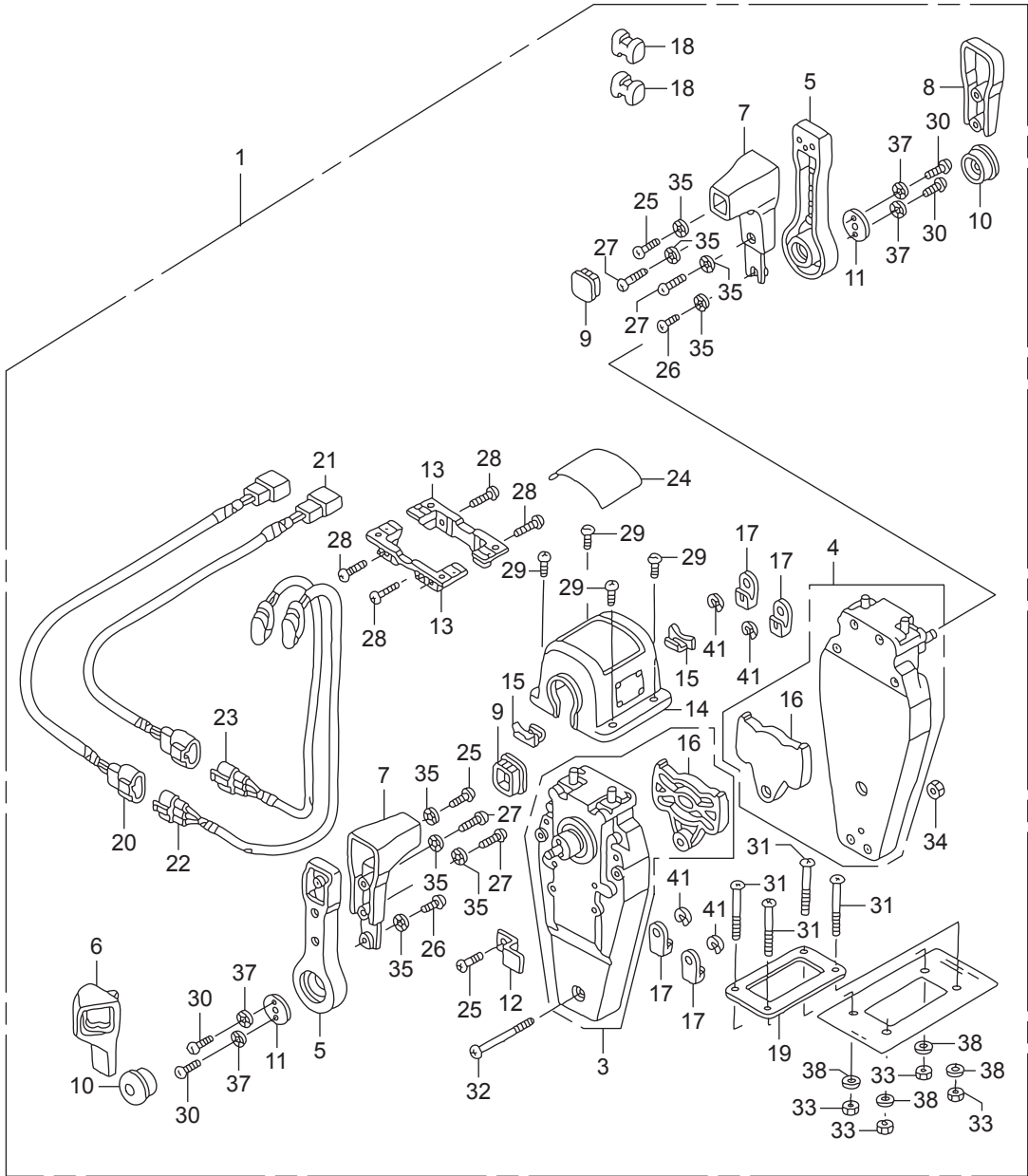


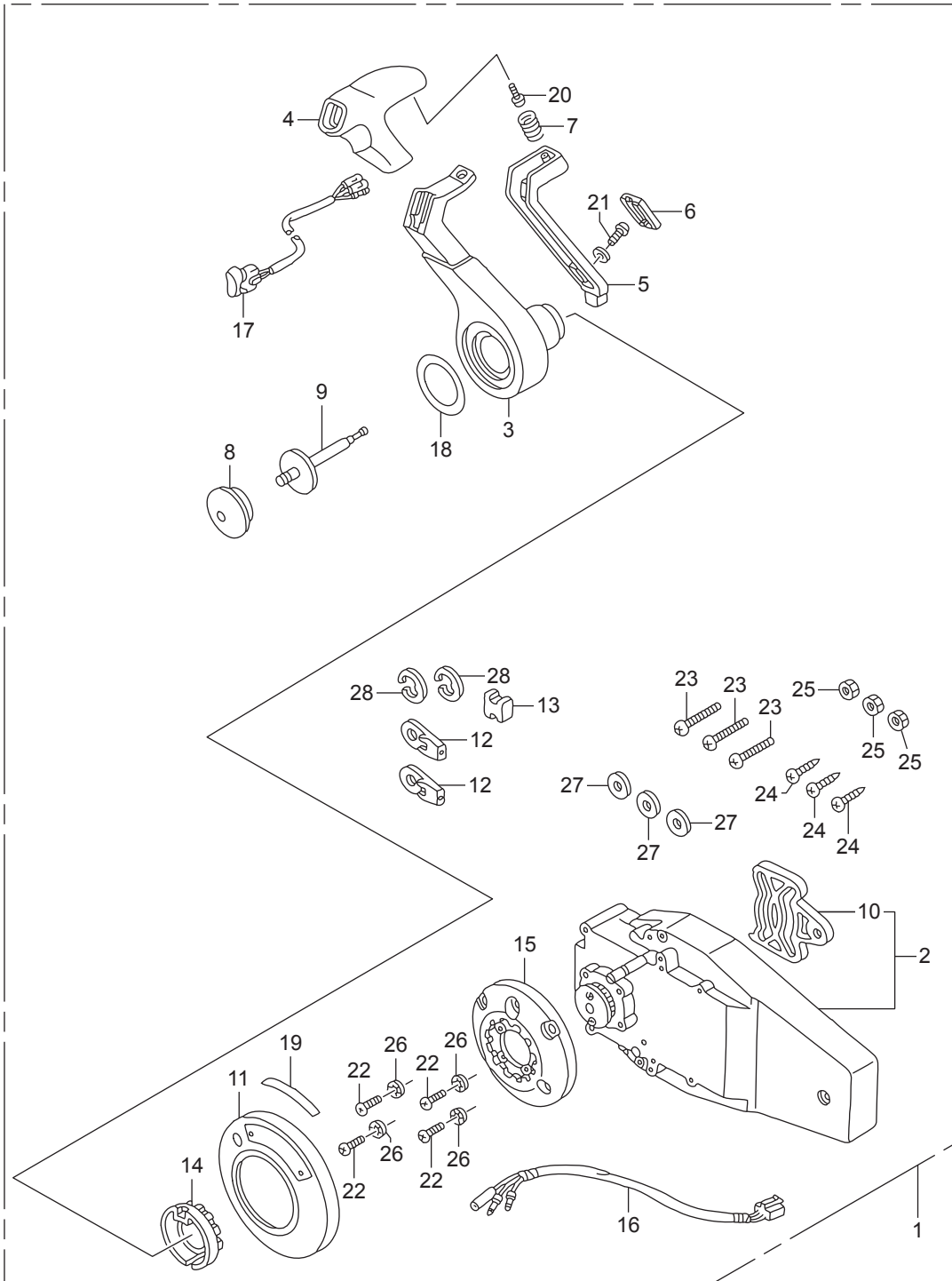
Ref.No.	Part No.	Description	Q' ty	Remarks	
			BFT115A		
FOP-8	1	HZZ3-06240-R30	BOX KIT, REMOTE CONTROL	1	(TOP MOUNT SINGLE)(R.)
FOP-8	2	HZW5-06241-U00	SPACER KIT, REMOTE CONTROL BOX	1	(TOP MOUNT SINGLE)
FOP-8	3	HZW5-24810-U01	HOUSING ASSY., L. INNER	1	(TOP MOUNT)
FOP-8	4	HZW5-24811-U01	HANDLE, REMOTE CONTROL	1	
FOP-8	5	HZW5-24812-U01	COVER, L. GRIP	1	
FOP-8	6	HZW5-24813-U01	GRIP, REMOTE CONTROL HANDLE	1	
FOP-8	7	HZW5-24814-U01	CAP, GRIP	1	
FOP-8	8	HZW5-24815-U01	CAP, SWITCH	1	
FOP-8	9	HZW5-24816-U01	BUTTON, THROTTLE	1	
FOP-8	10	HZW5-24817-U01	PLATE, HANDLE	1	
FOP-8	11	HZW5-24818-U01	PLATE, CABLE CLAMP	1	
FOP-8	12	HZW5-24819-U01	BRACKET, REMOTE CONTROL HOUSING	2	
FOP-8	13	HZW5-24820-U01	HOUSING COMP., REMOTE CONTROL BOX	1	
FOP-8	13	HZZ3-24820-R11	HOUSING COMP., REMOTE CONTROL BOX	1	
FOP-8	14	HZW5-24825-U01	HOUSING, LEAD	1	
FOP-8	15	HZW5-24826-U01	PLATE, DWELL	1	
FOP-8	16	HZW5-24831-U01	TERMINAL, CABLE	2	
FOP-8	17	HZW5-24832-U01	SPACER, CABLE CLAMP	1	
FOP-8	18	HZW5-24834-U01	PACKING, SINGLE	1	
FOP-8	19	HZW7-32530-U00	SUB HARNESS ASSY., POWER TRIM-TILT(A)	1	
FOP-8	20	HZW5-35370-U02	SWITCH ASSY., POWER TRIM-TILT (A)	1	
FOP-8	21	HZZ3-87703-R81	MARK, REMOTE CONTROL(SINGLE)	1	
FOP-8	22	HZW5-90101-U00	SCREW, PAN, 5X16	2	
FOP-8	23	HZW5-90102-U00	SCREW, PAN, 5X10	1	
FOP-8	24	HZW5-90103-U01	SCREW, PAN, 5X20	2	
FOP-8	25	HZW5-90104-U00	SCREW, PAN, 5X18	4	
FOP-8	26	HZW5-90105-U01	SCREW, PAN, 4X10	2	
FOP-8	27	HZW5-90106-U00	SCREW, PAN, 6X18	2	
FOP-8	28	HZW5-90107-U00	SCREW, PAN, 5X40	4	



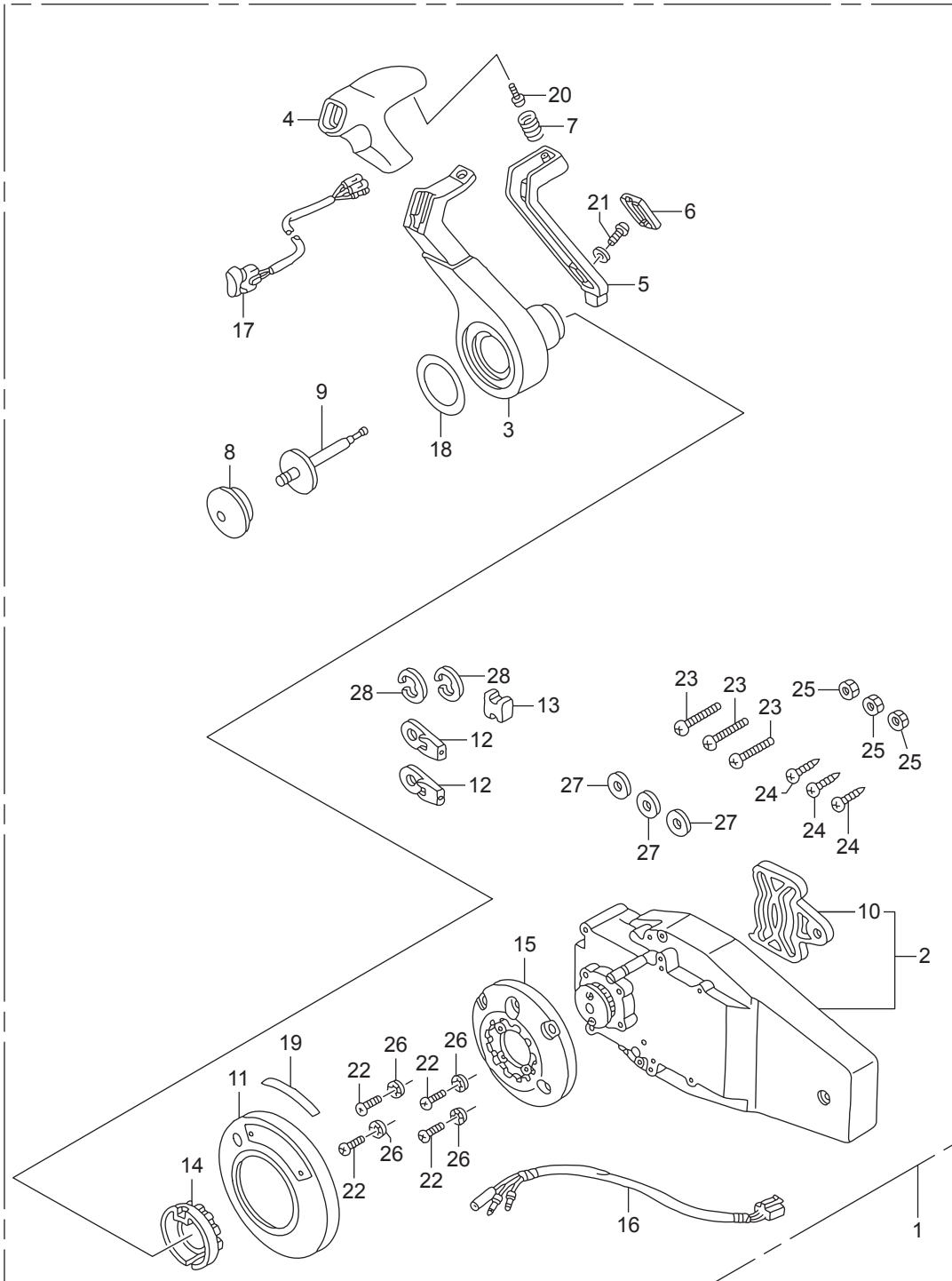


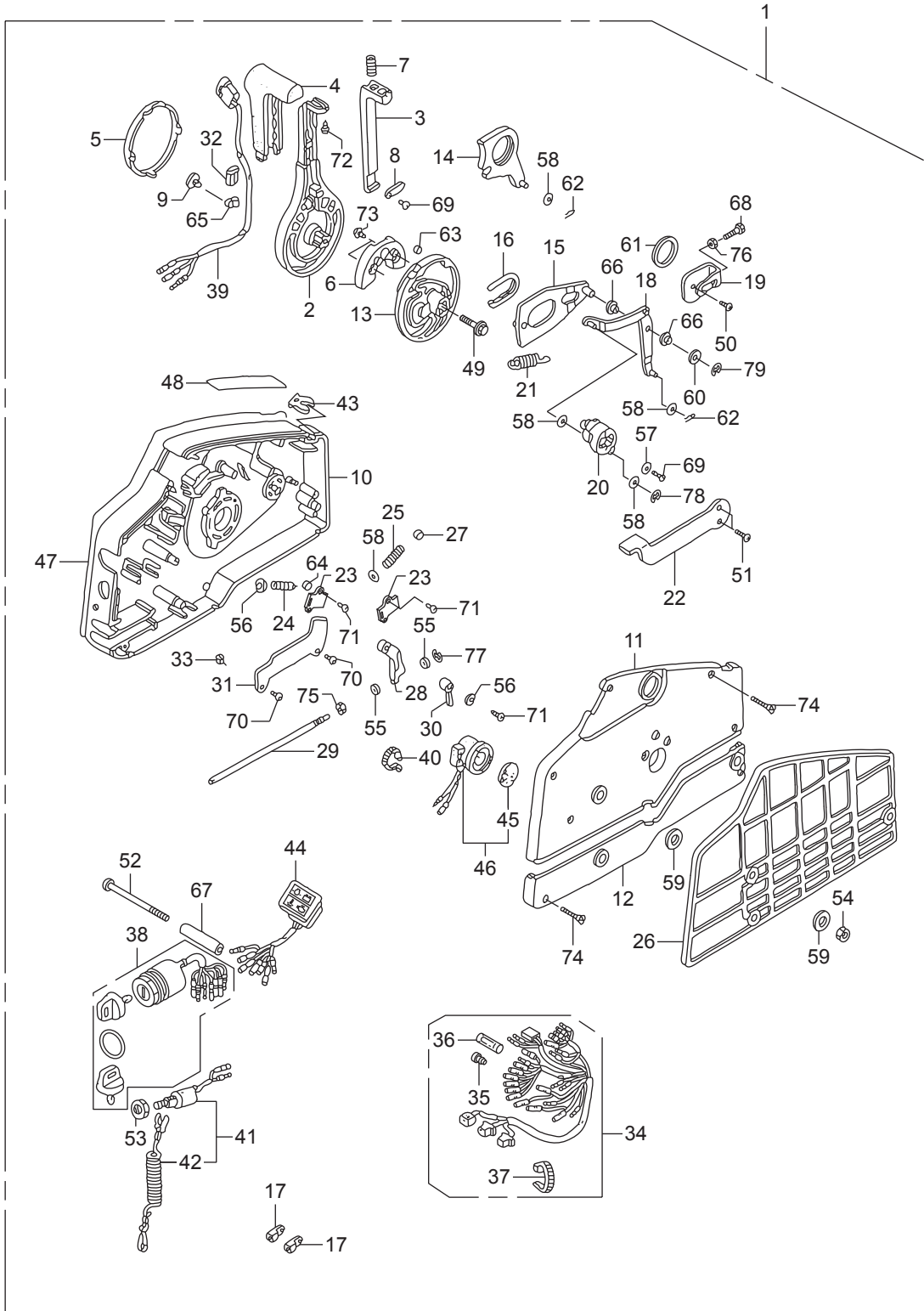
Ref.No.	Part No.	Description	Q' ty	Remarks	
			BFT115A		
FOP-8-2	1	HZZ3-06240-R60	BOX KIT, REMOTE CONTROL	1	(TOP MOUNT DUAL)(R.)
FOP-8-2	2	HZW5-06241-U10	SPACER KIT, REMOTE CONTROL BOX	1	(TOP MOUNT DUAL)
FOP-8-2	3	HZW5-24810-U01	HOUSING ASSY., L. INNER	1	(TOP MOUNT)
FOP-8-2	4	HZW5-24810-U11	HOUSING ASSY., R. INNER	1	(TOP MOUNT)
FOP-8-2	5	HZW5-24811-U01	HANDLE, REMOTE CONTROL	2	
FOP-8-2	6	HZW5-24812-U01	COVER, L. GRIP	1	
FOP-8-2	7	HZW5-24813-U01	GRIP, REMOTE CONTROL HANDLE	2	
FOP-8-2	8	HZW5-24813-U21	COVER, DUAL GRIP	1	
FOP-8-2	9	HZW5-24814-U01	CAP, GRIP	2	
FOP-8-2	10	HZW5-24816-U01	BUTTON, THROTTLE	2	
FOP-8-2	11	HZW5-24817-U01	PLATE, HANDLE	2	
FOP-8-2	12	HZW5-24818-U01	PLATE, CABLE CLAMP	1	
FOP-8-2	13	HZW5-24819-U01	BRACKET, REMOTE CONTROL HOUSING	2	
FOP-8-2	14	HZW5-24820-U21	HOUSING COMP., DUAL REMOTE CONTROL BOX	1	
FOP-8-2	14	HZZ3-24820-R21	HOUSING COMP., DUAL REMOTE CONTROL BOX	1	
FOP-8-2	15	HZW5-24825-U01	HOUSING, LEAD	2	
FOP-8-2	16	HZW5-24826-U01	PLATE, DWELL	2	
FOP-8-2	17	HZW5-24831-U01	TERMINAL, CABLE	4	
FOP-8-2	18	HZW5-24832-U01	SPACER, CABLE CLAMP	2	
FOP-8-2	19	HZW5-24834-U21	PACKING, DUAL	1	
FOP-8-2	20	HZW7-32530-U00	SUB HARNESS ASSY., POWER TRIM-TILT(A)	1	
FOP-8-2	21	HZW7-32530-U10	SUB HARNESS ASSY., POWER TRIM-TILT(B)	1	
FOP-8-2	22	HZW5-35370-U02	SWITCH ASSY., POWER TRIM-TILT (A)	1	
FOP-8-2	23	HZW5-35370-U12	SWITCH ASSY., POWER TRIM-TILT (B)	1	
FOP-8-2	24	HZZ3-87703-R01	MARK, REMOTE CONTROL(DUAL)	1	
FOP-8-2	25	HZW5-90101-U00	SCREW, PAN, 5X16	3	
FOP-8-2	26	HZW5-90102-U00	SCREW, PAN, 5X10	2	
FOP-8-2	27	HZW5-90103-U01	SCREW, PAN, 5X20	4	
FOP-8-2	28	HZW5-90104-U00	SCREW, PAN, 5X18	4	



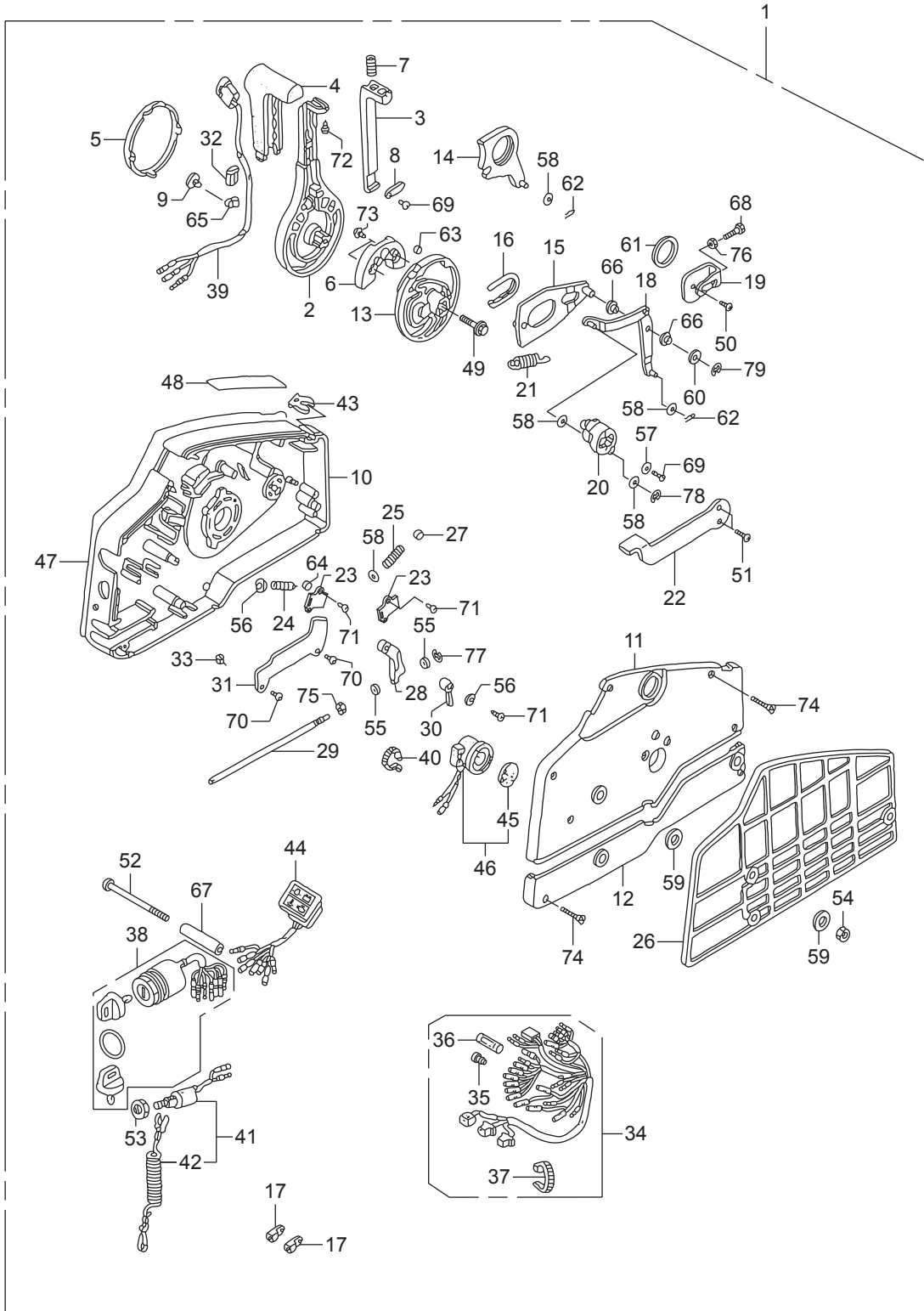


Ref.No.	Part No.	Description	Q' ty	Remarks	
			BFT115A		
FOP-8-4	1	HZZ3-06240-R40	BOX KIT, REMOTE CONTROL	1	(FLUSH MOUNT)(R.)
FOP-8-4	2	HZW7-24810-U01	HOUSING ASSY., R. INNER	1	(FLUSH MOUNT)
FOP-8-4	3	HZW7-24811-U01	HANDLE, REMOTE CONTROL	1	
FOP-8-4	4	HZW7-24812-U01	COVER, GRIP	1	
FOP-8-4	5	HZW7-24813-U01	ARM, NEUTRAL LOCK	1	
FOP-8-4	6	HZW7-24814-U01	COVER, LOCK ARM	1	
FOP-8-4	7	HZW7-24815-U01	SPRING, NEUTRAL LOCK ARM	1	
FOP-8-4	8	HZW5-24816-U01	BUTTON, THROTTLE	1	
FOP-8-4	9	HZW7-24817-U01	SHAFT, THROTTLE BUTTON	1	
FOP-8-4	10	HZW5-24826-U01	PLATE, DWELL	1	
FOP-8-4	11	HZW7-24830-U01	COVER ASSY.	1	
FOP-8-4	11	HZZ3-24830-R41	COVER ASSY.	1	
FOP-8-4	12	HZW5-24831-U01	TERMINAL, CABLE	2	
FOP-8-4	13	HZW5-24832-U01	SPACER, CABLE CLAMP	1	
FOP-8-4	14	HZW7-24832-U01	HOLDER, NEUTRAL LOCK	1	
FOP-8-4	15	HZW7-24833-U01	BASE	1	
FOP-8-4	16	HZW7-32530-U20	SUB HARNESS ASSY., POWER TRIM-TILT(C)	1	
FOP-8-4	17	HZW7-35370-U02	SWITCH ASSY., POWER TRIM-TILT (C)	1	
FOP-8-4	18	HZW7-87701-U01	MARK, HANDLE FLUSH MOUNT	1	
FOP-8-4	18	HZZ3-87701-R40	MARK, HANDLE FLUSH MOUNT	1	
FOP-8-4	19	HZW7-87703-U00	MARK, FLUSH MOUNT	1	
FOP-8-4	20	HZW5-90101-U00	SCREW, PAN, 5X16	1	
FOP-8-4	21	HZW7-90101-U01	SCREW, TRUSS, 4X12	1	
FOP-8-4	22	HZW7-90102-U01	SCREW, PAN, 5X30	4	
FOP-8-4	23	HZW7-90103-U01	SCREW, PAN, 6X35	3	
FOP-8-4	24	HZW7-90104-U01	SCREW, TAPPING, 6X30	3	
FOP-8-4	25	HZW7-90301-U01	NUT, HEX., 6MM	3	
FOP-8-4	26	HZW5-90501-U00	WASHER, LOCK, 5MM	4	
FOP-8-4	27	HZW7-90502-U00	WASHER, PLAIN, 6MM	3	

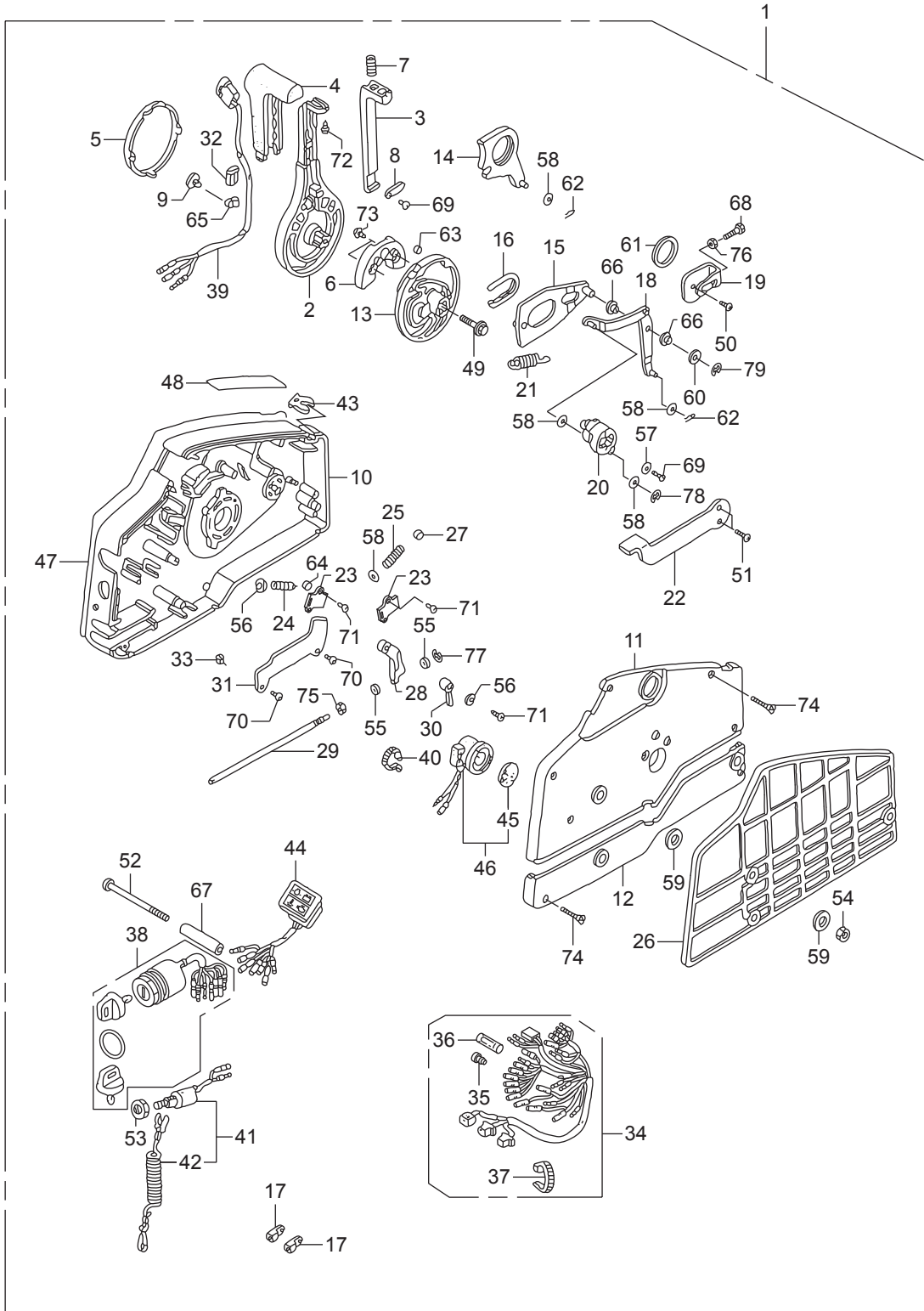




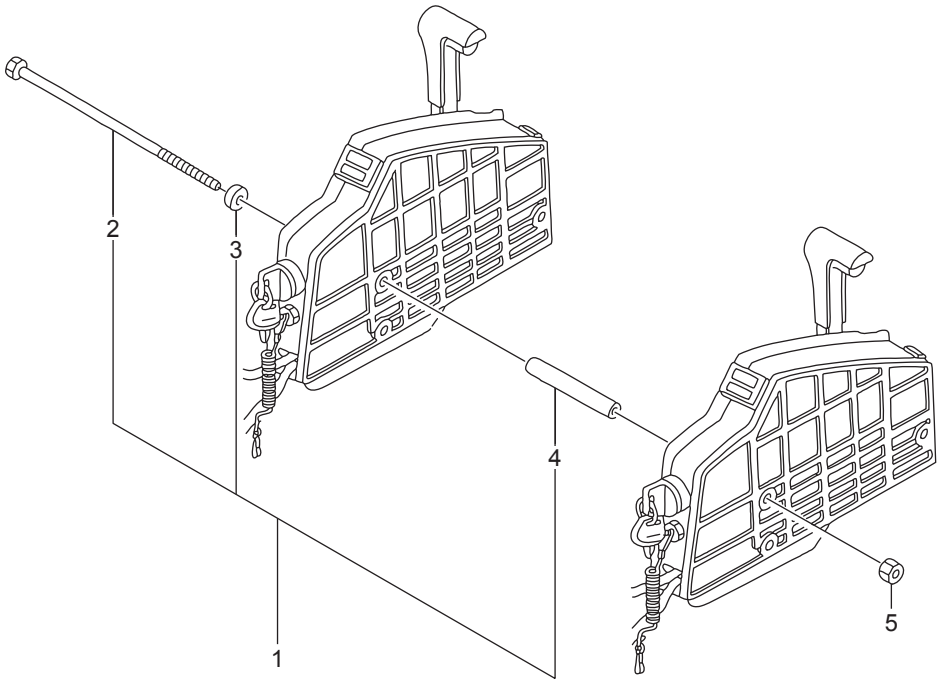
Ref.No.	Part No.	Description	Q' ty	Remarks	
			BFT115A		
FOP-8-6	1	HZZ3-06240-R30	BOX ASSY., REMOTE CONTROL	1	
FOP-8-6	2	HZV5-24811-010	HANDLE, REMOTE CONTROL	1	
FOP-8-6	3	HZV5-24812-000	LEVER, HANDLE LOCK	1	
FOP-8-6	4	HZV5-24813-000	GRIP, REMOTE CONTROL HANDLE	1	
FOP-8-6	5	HZV5-24814-010	CAP, HANDLE	1	
FOP-8-6	6	HZV5-24815-010	BLOCK, NEUTRAL LOCK	1	
FOP-8-6	7	HZV5-24816-000	SPRING, REMOTE CONTROL HANDLE	1	
FOP-8-6	8	HZV5-24817-000	PLATE, LEVER SETTING	1	
FOP-8-6	9	HZV5-24818-003	CLAMP, HARNESS	1	
FOP-8-6	10	HZV5-24820-010	HOUSING COMP., REMOTE CONTROL BOX(A)LA,XA	1	
FOP-8-6	11	HZV5-24830-010	HOUSING COMP., REMOTE CONTROL BOX(B)LA,XA	1	
FOP-8-6	12	HZV5-24836-000	HOUSING, REMOTE CONTROL BOX(C)	1	
FOP-8-6	13	HZV5-24841-000	WHEEL, CONTROL	1	
FOP-8-6	14	HZV5-24845-000	ARM COMP., SHIFT LINK	1	
FOP-8-6	15	HZV5-24850-000	PLATE COMP., SLIDING	1	
FOP-8-6	16	HZV5-24854-000	COLLAR, SLIDING PLATE	1	
FOP-8-6	17	HZV5-24855-000	PIVOT, SHIFT	2	
FOP-8-6	18	HZV5-24860-000	ARM COMP., LINK JOINT	1	
FOP-8-6	19	HZV5-24865-000	BRACKET, LINK JOINT	1	
FOP-8-6	20	HZV5-24875-000	WHEEL, ACCELERATOR	1	
FOP-8-6	21	HZV5-24876-000	SPRING, ACCELERATOR WHEEL	1	
FOP-8-6	22	HZV5-24878-000	LEVER, IDLE	1	
FOP-8-6	23	HZV5-24881-000	PLATE, SPRING SETTING	2	
FOP-8-6	24	HZV5-24883-000	SPRING, SHIFT CLICK	1	
FOP-8-6	25	HZV5-24884-000	SPRING, CHOKE RETURN	1	
FOP-8-6	26	HZV5-24885-000	SPACER, REMOTE CONTROL BOX	1	
FOP-8-6	27	HZV5-24887-000	SPACER, CLICK SPRING	1	
FOP-8-6	28	HZV5-24891-000	BLOCK, THROTTLE FRICTION	1	
FOP-8-6	29	HZV5-24892-000	BOLT, FRICTION	1	

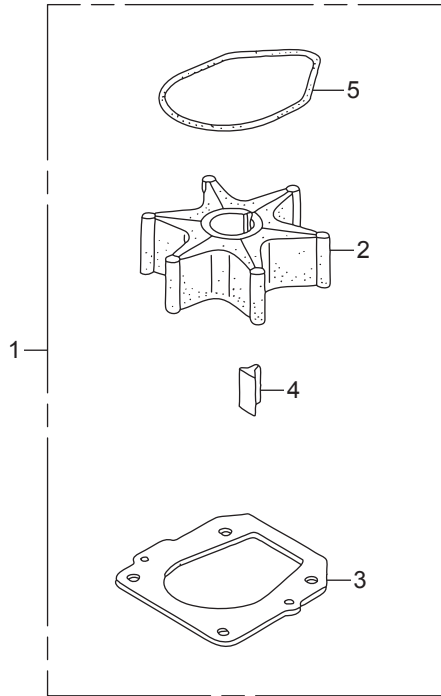


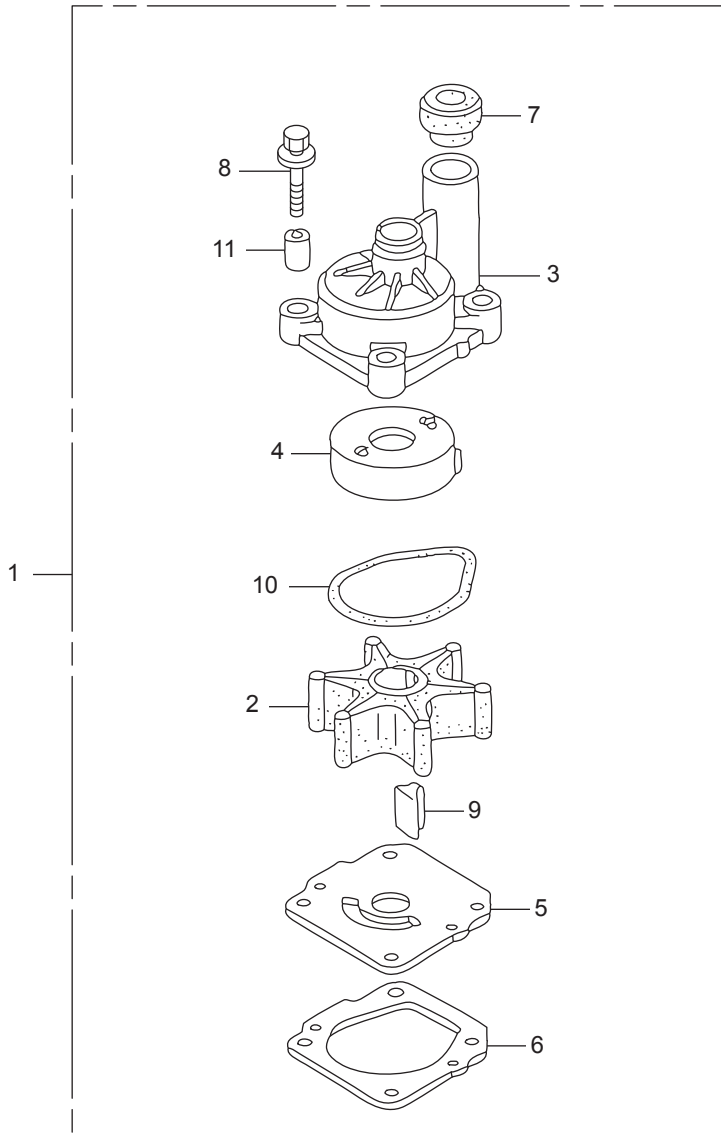
Ref.No.	Part No.	Description	Q' ty	Remarks	
			BFT115A		
FOP-8-6	30	HZV5-24894-000	SPACER, NEUTRAL SWITCH	1	
FOP-8-6	31	HZV5-24895-000	CLAMP, POWER TILT CORD	1	
FOP-8-6	32	HZV5-24897-000	PIPE, HARNESS GUIDE	1	
FOP-8-6	33	HZV5-24898-000	SPACER, CABLE CLAMP	1	
FOP-8-6	34	HZZ5-32530-000	CABLE ASSY., REMOTE CONTROL(B)	1	
FOP-8-6	35	HZV5-32823-003	PLUG, INNER CONNECTOR	7	
FOP-8-6	36	HZV5-32824-003	PLUG, OUTER CONNECTOR	1	
FOP-8-6	37	H952-32901-770	TIE, CABLE(NATURAL)(2.4X92)	1	
FOP-8-6	38	HZZ3-35100-R11	SWITCH ASSY., COMBINATION	1	
FOP-8-6	39	HZV5-35370-823	SWITCH ASSY., POWER TRIM-TILT	1	
FOP-8-6	40	HMG9-35701-950	BAND(BLACK 3.5X140)	1	
FOP-8-6	41	HZV5-36180-033	SWITCH ASSY., EMERGENCY STOP	1	
FOP-8-6	42	HZV4-36182-651	CORD COMP., EMERGENCY	1	
FOP-8-6	43	HZV4-36187-652	CLIP, EMERGENCY LOCK	1	
FOP-8-6	44	HZZ5-37210-013	LAMP ASSY., INDICATION	1	
FOP-8-6	45	H341-38403-672	PLATE, WINKER BUZZER	1	
FOP-8-6	46	HZV5-38410-003	BUZZER COMP., WARNING	1	
FOP-8-6	47	HZZ3-87701-R00	PLATE, REMOTE CONTROL	1	LA,XA
FOP-8-6	48	HZW9-87702-800	MARK, FAST IDLE	1	
FOP-8-6	49	HZW9-90008-000	BOLT, FLANGE, 8X35	1	
FOP-8-6	50	HMM4-90105-000	SCREW, PAN, 6X10	1	
FOP-8-6	51	HZW4-90108-000	SCREW, FLAT, 5X12	2	
FOP-8-6	52	HZV5-90125-000	SCREW, 6X95	3	
FOP-8-6	53	H921-90302-000	NUT, HEX., 16MM	1	
FOP-8-6	54	HZV4-90304-000	NUT, HEX., 6MM	3	
FOP-8-6	55	HZW4-90401-000	WASHER, PLAIN, 4MM	2	
FOP-8-6	56	HZW4-90402-000	WASHER, PLAIN, 5MM	2	
FOP-8-6	57	HZV4-90502-000	WASHER, PLAIN, 5MM	1	
FOP-8-6	58	H921-90504-010	WASHER, PLAIN, 6MM	5	

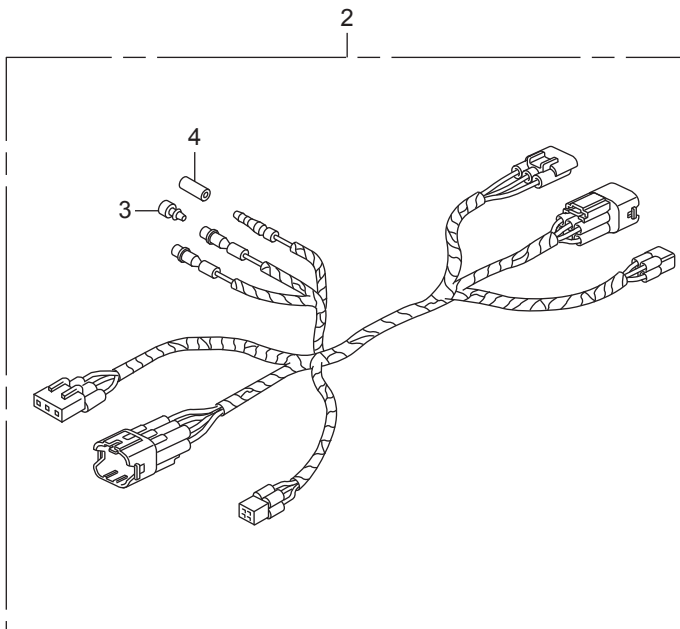
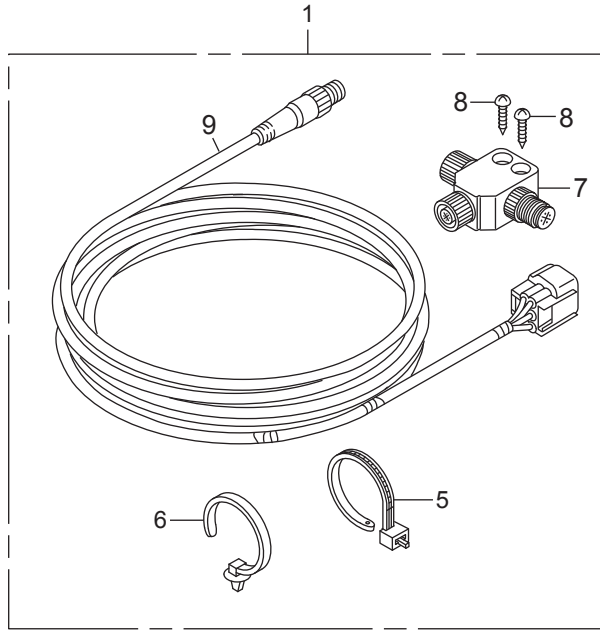


Ref.No.	Part No.	Description	Q' ty	Remarks	
			BFT115A		
FOP-8-6	59	H921-90512-010	WASHER, 6MM	6	
FOP-8-6	60	H921-90518-000	WASHER, PLAIN, 8MM	1	
FOP-8-6	61	HZV5-90557-000	WASHER, 28MM	1	
FOP-8-6	62	HZV5-90751-000	PIN, LOCK, 6MM	2	
FOP-8-6	63	HZV5-90772-000	PIN, 6X6	1	
FOP-8-6	64	HZV5-91151-000	ROLLER, CLICK	1	
FOP-8-6	65	HSB6-91475-000	CLIP, WIRE HARNESS(6.3MM)	1	
FOP-8-6	66	HZV5-91567-000	COLLAR, LINK JOINT	2	
FOP-8-6	67	HZV5-91570-000	COLLAR, DISTANCE, 6X10X43.5	3	
FOP-8-6	68	HCO-92101-05016-4J	BOLT, HEX., 5X16	1	
FOP-8-6	69	HCO-93500-05010-4J	SCREW, PAN, 5X10	2	
FOP-8-6	70	HCO-93901-250J0	SCREW, TAPPING, 5X8	2	
FOP-8-6	71	HCO-93901-251J0	SCREW, TAPPING, 5X10	3	
FOP-8-6	72	HCO-93901-252J0	SCREW, TAPPING, 5X12	1	
FOP-8-6	73	HCO-93903-262J0	SCREW, TAPPING, 6X16	2	
FOP-8-6	74	HCO-93905-255J0	SCREW, TAPPING, 5X25	7	
FOP-8-6	75	HCO-94001-06490-0S	NUT, HEX., 6MM	1	
FOP-8-6	76	HCO-94002-05490-0S	NUT, HEX., 5MM	1	
FOP-8-6	77	HCO-94540-03029	E-RING, 3MM	1	
FOP-8-6	78	HCO-94540-04029	E-RING, 4MM	1	
FOP-8-6	79	HCO-94540-07029	E-RING, 7MM	1	

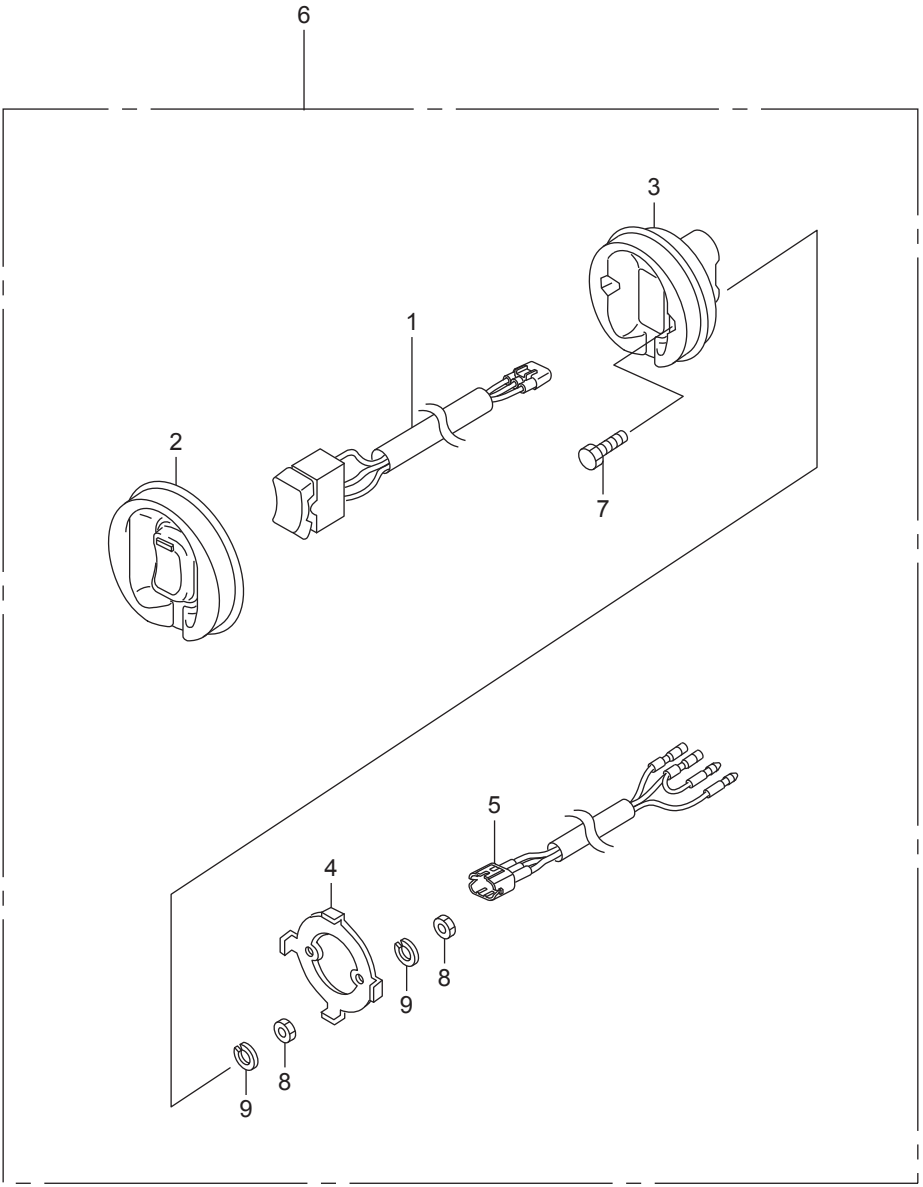


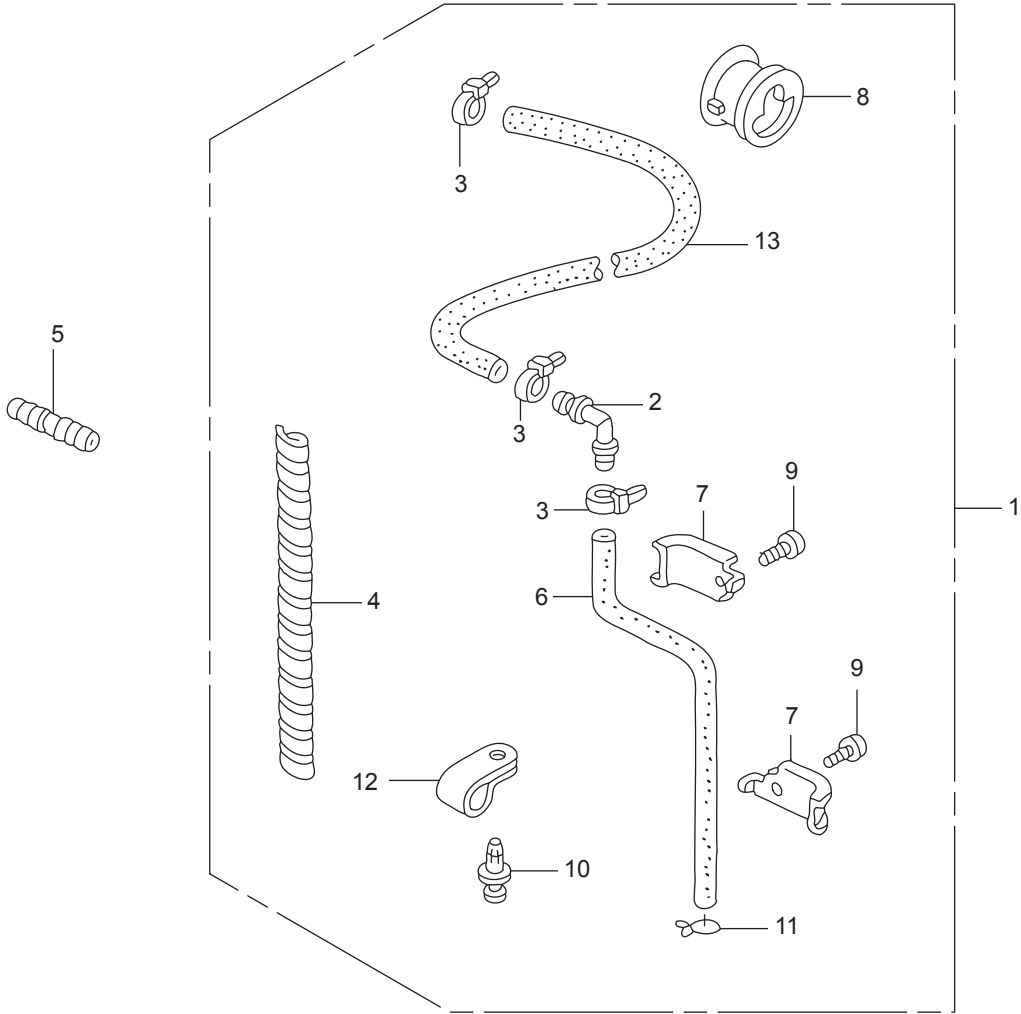






Ref.No.		Part No.	Description	Q' ty	Remarks
				BFT115A	
FOP-11	1	HZZ3-06328-764	KIT, CABLE(NMEA)(6FT)	1	
FOP-11	2	HZZ3-32186-000	HARNESS ASSY., REMOTE CONTROL SUB	1	
FOP-11	3	HZV5-32823-003	PLUG, INNER CONNECTOR	2	
FOP-11	4	HZV5-32824-003	PLUG, OUTER CONNECTOR	1	
FOP-11	5	HZY1-90650-003	TIE, CABLE	2	
FOP-11	6	HSTK-91540-003	CLIP, HARNESS BAND(BLACK)	2	(155.3MM)
FOP-11	7	32805-ZZ3-000	CONNECTOR(T)	1	
FOP-11	8	93901-446J0	SCREW, TAPPING, 4X25	2	
FOP-11	9	32800-ZZ3-000	CABLE ASSY, INTERFACE(6FT)	1	





INDEX

<A>		
ARM ASSY., EX. ROCKER	E-9-14	
ARM ASSY., ROCKER	E-9-13	
ARM COMP., CAM CHAIN TENSIONER	E-9-10	
ARM COMP., CLICK	F-2-8	
ARM COMP., LINK JOINT	FOP-8-6-18	
ARM COMP., SHIFT LINK	FOP-8-6-14	
ARM, NEUTRAL LOCK	FOP-8-4-5	
ARM, SHIFT	F-2-13	
ARM, THROTTLE	F-2-6	
ARMATURE COMP.	F-11-6	
		
BAG, TOOL, 230MM	F-13-12	
BALL, STEEL	E-21-6	
BALL, STEEL, #7(7/32)	F-5-29	
BALL, STEEL, #7(7/32)	F-5-1-31	
BALL, STEEL, #9(9/32)	F-5-30	
BALL, STEEL, #9(9/32)	F-5-1-32	
BAND	E-18-10-43	
BAND(BLACK 3.5X140)	F-8-10-1	
BAND(BLACK 3.5X140)	FOP-8-6-40	
BAND, AIR FLOW	E-15-4	
BAND, HARNESS	E-14-30	
BAND, HARNESS OFFSET(10)	F-7-30-2	
BAND, UNDER CASE GROMMET	F-8-10-4	
BAND, WIRE	F-3-2	
BAND, WIRE	FOP-13-3	
BAND, WIRE HARNESS	E-9-10-34	
BAND, WIRE HARNESS(NATURAL)	FOP-6-1-17	
BASE	FOP-8-4-15	
BASE, INJECTOR	E-14-10	
BEARING A, CONNECTING ROD (BLUE)	E-7-7	
BEARING A, MAIN LOWER(BLUE)	E-7-11	
BEARING A, MAIN UPPER(BLUE)	E-7-9	
BEARING B, CONNECTING ROD (BLACK)	E-7-7	
BEARING B, MAIN LOWER(BLACK)	E-7-11	
BEARING B, MAIN UPPER(BLACK)	E-7-9	
BEARING C, CONNECTING ROD (BROWN)	E-7-7	
BEARING C, MAIN LOWER(BROWN)	E-7-11	
BEARING C, MAIN UPPER(BROWN)	E-7-9	
BEARING D, CONNECTING ROD (GREEN)	E-7-7	
BEARING D, MAIN LOWER(GREEN)	E-7-11	
BEARING D, MAIN UPPER(GREEN)	E-7-9	
BEARING E, CONNECTING ROD (YELLOW)	E-7-7	
BEARING E, MAIN LOWER(YELLOW)	E-7-11	
BEARING E, MAIN UPPER(YELLOW)	E-7-9	
BEARING F, CONNECTING ROD (PINK)	E-7-7	
BEARING F, MAIN LOWER(PINK)	E-7-11	
BEARING F, MAIN UPPER(PINK)	E-7-9	
BEARING G, CONNECTING ROD(RED)	E-7-7	
BEARING, FR.	E-19-4	
BEARING, NEEDLE(25X32X26)	F-5-24	
BEARING, NEEDLE(25X32X26)	F-5-1-26	
BEARING, NEEDLE	F-4-26	
BEARING, NEEDLE, 20X28X13	F-2-42	
BEARING, NEEDLE, 30X37X26	F-5-20	
BEARING, NEEDLE, 30X37X26	F-5-1-22	
BEARING, RADIAL BALL, 50X90X20	F-5-23	
BEARING, RADIAL BALL, 50X90X20	F-5-1-25	
BEARING, RR.	E-19-3	
BEARING, TAPER ROLLER	F-4-27	
BEARING, TAPER, 50X90X28	F-5-22	
BEARING, TAPER, 50X90X28	F-5-1-24	
BEARING, THRUST(F)	F-5-21	
BEARING, THRUST(F)	F-5-1-23	
BELT, A.C. GENERATOR(4PK810)	E-13-3	
BLOCK ASSY., CYLINDER	E-3-6	
BLOCK, NEUTRAL LOCK	FOP-8-6-6	
BLOCK, THROTTLE FRICTION	FOP-8-6-28	
BODY COMP., CHAMBER	E-18-10-5	
BODY COMP., OIL JET	E-3-9	
BODY, TROLLING CONTROL SWITCH PANEL	FOP-12-3	
BOLT	E-19-14	
BOLT A, HEAD COVER	E-9-20-16	
BOLT A, THROUGH	E-21-18	
BOLT COMP., OIL JET	E-3-10	
BOLT KIT, SIDE REMOTE CONTROL	FOP-9-1	
BOLT, 1/4-28UNF	F-10-26	
BOLT, 3/8-24UNF	F-10-27	
BOLT, CHAIN GUIDE	E-10-9	
BOLT, CONNECTING ROD	E-7-5	
BOLT, CONNECTING ROD	E-7-5	
BOLT, COVER LOCK	F-8-8	
BOLT, DRAIN PLUG	E-6-15	
BOLT, DRAIN PLUG	F-3-14	
BOLT, FLANGE, 10X105	E-10-18	
BOLT, FLANGE, 10X110	E-6-23	
BOLT, FLANGE, 10X25	F-10-32	
BOLT, FLANGE, 10X32	E-9-29	
BOLT, FLANGE, 10X40	E-6-9	
BOLT, FLANGE, 10X40	F-3-20-8	
BOLT, FLANGE, 10X40	F-5-12	
BOLT, FLANGE, 10X40	F-5-1-13	
BOLT, FLANGE, 10X43	E-9-10-19	
BOLT, FLANGE, 10X45	E-4-11	
BOLT, FLANGE, 10X70	E-3-29	
BOLT, FLANGE, 10X70	E-9-10-21	
BOLT, FLANGE, 10X75	E-4-8	
BOLT, FLANGE, 10X80	E-6-10	
BOLT, FLANGE, 10X80	E-19-28	
BOLT, FLANGE, 10X90	E-21-21	
BOLT, FLANGE, 12MM	E-5-15	
BOLT, FLANGE, 12X47	E-9-28	
BOLT, FLANGE, 12X83	E-3-20	
BOLT, FLANGE, 6X10	E-14-22	
BOLT, FLANGE, 6X12	E-6-14	
BOLT, FLANGE, 6X12	E-15-19	
BOLT, FLANGE, 6X12	F-2-30	
BOLT, FLANGE, 6X12	F-3-20-9	
BOLT, FLANGE, 6X12	F-7-3	
BOLT, FLANGE, 6X12	F-7-10-10	
BOLT, FLANGE, 6X12	F-7-20-7	
BOLT, FLANGE, 6X12	F-9-28	
BOLT, FLANGE, 6X14	E-4-9	
BOLT, FLANGE, 6X14	E-9-10-17	
BOLT, FLANGE, 6X14	E-9-20-20	
BOLT, FLANGE, 6X14	E-10-15	
BOLT, FLANGE, 6X14	E-14-21	
BOLT, FLANGE, 6X14	E-18-1-19	
BOLT, FLANGE, 6X14	F-2-28	
BOLT, FLANGE, 6X14(CT200)	E-3-22	
BOLT, FLANGE, 6X14(CT200)	E-9-10-14	
BOLT, FLANGE, 6X14(CT200)	F-7-10-9	
BOLT, FLANGE, 6X16	E-9-10-16	
BOLT, FLANGE, 6X16	E-9-20-18	
BOLT, FLANGE, 6X16	E-18-10-47	
BOLT, FLANGE, 6X16	E-19-24	
BOLT, FLANGE, 6X16	F-2-27	
BOLT, FLANGE, 6X16	F-9-25	
BOLT, FLANGE, 6X18	E-6-22	
BOLT, FLANGE, 6X18	F-2-29	
BOLT, FLANGE, 6X20	E-5-18	
BOLT, FLANGE, 6X20	E-9-34	
BOLT, FLANGE, 6X20	E-9-20-19	
BOLT, FLANGE, 6X20	E-9-20-27	
BOLT, FLANGE, 6X20	E-20-10-5	
BOLT, FLANGE, 6X20	F-2-31	
BOLT, FLANGE, 6X20	F-4-18	
BOLT, FLANGE, 6X20	F-7-20-8	
BOLT, FLANGE, 6X20	F-10-28	
BOLT, FLANGE, 6X22	E-4-10	
BOLT, FLANGE, 6X22	F-7-10-11	
BOLT, FLANGE, 6X22	F-8-10-23	
BOLT, FLANGE, 6X22	F-9-26	
BOLT, FLANGE, 6X23	F-10-24	
BOLT, FLANGE, 6X25	E-3-23	
BOLT, FLANGE, 6X25	E-5-17	
BOLT, FLANGE, 6X25	E-10-19	
BOLT, FLANGE, 6X25	E-18-21	
BOLT, FLANGE, 6X25	E-18-10-46	
BOLT, FLANGE, 6X25	F-9-24	
BOLT, FLANGE, 6X27	E-18-19	
BOLT, FLANGE, 6X28	E-9-10-15	
BOLT, FLANGE, 6X30	E-9-35	
BOLT, FLANGE, 6X32	E-9-20-28	
BOLT, FLANGE, 6X32	E-10-20	
BOLT, FLANGE, 6X38	E-9-10-20	
BOLT, FLANGE, 6X52	E-9-20-17	
BOLT, FLANGE, 8X100	E-6-13	
BOLT, FLANGE, 8X110	E-9-20-30	
BOLT, FLANGE, 8X18	F-7-10-12	
BOLT, FLANGE, 8X20	E-3-24	
BOLT, FLANGE, 8X20	E-19-25	
BOLT, FLANGE, 8X25	E-14-27	
BOLT, FLANGE, 8X28	E-19-26	
BOLT, FLANGE, 8X30	E-18-10-48	
BOLT, FLANGE, 8X30	F-9-23	
BOLT, FLANGE, 8X32	E-5-27	
BOLT, FLANGE, 8X35	E-3-25	
BOLT, FLANGE, 8X35	E-14-25	
BOLT, FLANGE, 8X35	F-10-56	
BOLT, FLANGE, 8X35	FOP-8-6-49	
BOLT, FLANGE, 8X45	E-14-26	
BOLT, FLANGE, 8X50	E-3-28	
BOLT, FLANGE, 8X50	E-10-16	
BOLT, FLANGE, 8X55	E-3-19	
BOLT, FLANGE, 8X55	E-10-10	
BOLT, FLANGE, 8X55	F-8-10-22	
BOLT, FLANGE, 8X60	E-15-20	
BOLT, FLANGE, 8X75	E-10-17	
BOLT, FLANGE, 8X90	E-9-20-29	
BOLT, FRICTION	FOP-8-6-29	
BOLT, FUEL PIPE	E-14-1	
BOLT, HEX	F-11-32	
BOLT, HEX, 10X235	F-10-29	
BOLT, HEX, 12X119	F-10-31	
BOLT, HEX, 12X130	E-6-12	
BOLT, HEX, 12X130	F-10-31	
BOLT, HEX, 12X225	F-3-20-11	
BOLT, HEX, 12X70	E-6-11	
BOLT, HEX, 4X20	FOP-12-7	
BOLT, HEX, 5X16	FOP-8-6-68	
BOLT, HEX, 6X12	F-4-17	
BOLT, HEX, 6X14	F-10-30	
BOLT, HEX, 6X50	F-3-20	
BOLT, OIL CHECK	F-3-12	
BOLT, RECESSED	F-11-29	
BOLT, SEALING, 14MM	E-9-3	
BOLT, SEALING, 18MM	E-5-7	
BOLT, SEALING, 20MM	E-3-2	
BOLT, SEALING, 20MM	E-5-1	
BOLT, SEALING, 20MM	E-9-20-21	
BOLT, SEALING, 22MM	E-3-26	
BOLT, SEALING, 22MM	E-5-19	
BOLT, SEALING, 28MM	E-3-3	
BOLT, SEALING, 6MM	E-18-10-44	
BOLT, SOCKET(A)	F-11-30	
BOLT, SOCKET(B)	F-11-31	
BOLT, SOCKET, 6X16	F-8-9	
BOLT, SOCKET, 6X20	F-8-7	
BOLT, SOCKET, 6X25	E-1-5	
BOLT, SOCKET, 6X25	E-20-3	
BOLT, SPECIAL ADJUSTER	E-19-23	
BOLT, SPECIAL, 6X17	F-8-20-14	
BOLT, SPECIAL, 6X220	FOP-9-2	
BOLT, SPECIAL, 6X31	E-9-10-18	
BOLT, SPECIAL, 8MM	E-5-14	
BOLT, STUD	E-19-8	
BOLT, STUD 2, 8X25	E-14-23	
BOLT, STUD, 10X55	F-9-27	
BOLT, STUD, 12X150	F-10-25	
BOLT, STUD, 8X32	E-14-24	
BOLT, TENSIONER	E-19-27	
BOLT, TENSIONER PIVOT	E-9-27	
BOLT-WASHER	E-19-13	
BOLT-WASHER, 10X30	E-10-11	
BOLT-WASHER, 10X32	F-3-13	
BOLT-WASHER, 10X40	F-3-15	
BOLT-WASHER, 11X155	E-9-20-15	
BOLT-WASHER, 11X95	E-3-21	
BOLT-WASHER, 16X49	E-7-15	
BOLT-WASHER, 5X30	E-15-18	
BOLT-WASHER, 6X25	E-13-5	

BOLT-WASHER, 6X25	E-15-17	BUTTON, THROTTLE	FOP-8-2-10	CLIP, EMERGENCY LOCK	FOP-6-1-10
BOLT-WASHER, 6X27(CT200)	E-20-10-4	BUTTON, THROTTLE	FOP-8-4-8	CLIP, EMERGENCY LOCK	FOP-6-2-9
BOLT-WASHER, 8X10	E-3-11	BUZZER COMP., WARNING	FOP-6-1-13	CLIP, EMERGENCY LOCK	FOP-6-3-9
BOLT-WASHER, 8X30	F-3-20-10	BUZZER COMP., WARNING	FOP-6-2-11	CLIP, EMERGENCY LOCK	FOP-6-4-9
BOLT-WASHER, 8X30	F-8-10-24	BUZZER COMP., WARNING	FOP-6-3-11	CLIP, EMERGENCY LOCK	FOP-8-6-43
BOLT-WASHER, 8X35	E-14-20	BUZZER COMP., WARNING	FOP-6-4-11	CLIP, FUEL HOSE	E-18-25
BOLT-WASHER, 8X35	E-18-20	BUZZER COMP., WARNING	FOP-8-6-46	CLIP, FUEL TUBE, 14	E-14-31
BOLT-WASHER, 8X35	E-18-10-45	<C>		CLIP, FUEL TUBE, 14	F-7-10-15
BOLT-WASHER, 8X40	F-4-19	CABLE ASSY, INTERFACE(6FT)	FOP-11-9	CLIP, HARNESS	E-18-27
BOLT-WASHER, 8X40	FOP-10-1-8	CABLE ASSY., REMOTE CONTROL(B)	FOP-8-6-34	CLIP, HARNESS BAND(BLACK)	E-3-40
BOSS, FLYWHEEL	E-5-13	CABLE ASSY., STARTER	F-7-10-2	CLIP, HARNESS BAND(BLACK)	F-7-6
BOX ASSY., JUNCTION	F-7-20-1	CABLE ASSY., SWITCH PANEL	FOP-6-9	CLIP, HARNESS BAND(BLACK)	F-7-10-16
BOX ASSY., REMOTE CONTROL	FOP-8-6-1	CABLE ASSY., SWITCH PANEL	FOP-6-9	CLIP, HARNESS BAND(BLACK)	FOP-11-6
BOX KIT, REMOTE CONTROL	FOP-8-1	CABLE ASSY., SWITCH PANEL	FOP-6-9	CLIP, HARNESS BAND(BLACK)(145MM)	E-9-10-35
BOX KIT, REMOTE CONTROL	FOP-8-2-1	CABLE COMP. A, COVER LOCK	F-8-10-8	CLIP, HARNESS BAND(NATURAL)	E-4-17
BOX KIT, REMOTE CONTROL	FOP-8-4-1	CABLE COMP. B, COVER LOCK	F-8-10-9	CLIP, INJECTOR	E-14-3
BRACKET	FOP-6-2-12	CABLE SET, PANEL INDICATOR	FOP-6-2	CLIP, MUDGUARD	F-8-20-19
BRACKET	FOP-6-3-12	CABLE SET, PANEL INDICATOR	FOP-6-2	CLIP, PISTON PIN	E-7-4
BRACKET	FOP-6-4-12	CABLE SET, PANEL INDICATOR	FOP-6-2	CLIP, SENSOR HOSE	E-18-18
BRACKET A, CABLE	F-2-21	CAMSHAFT COMP., EX.	E-9-4	CLIP, TUBE	E-18-1
BRACKET A, COUPLER	F-7-10-1	CAMSHAFT COMP., IN.	E-9-1	CLIP, TUBE	E-18-1-1
BRACKET A, HARNESS CLIP	E-14-15	CAP COMP., OIL TANK	F-11-28	CLIP, TUBE	F-9-2
BRACKET ASSY.	F-11-5	CAP, BOLT, 8MM	E-3-27	CLIP, TUBE(B1 14.5)	E-18-23
BRACKET ASSY.	F-11-5	CAP, GRIP	FOP-8-7	CLIP, TUBE(B1 14.5)	E-18-1-20
BRACKET ASSY.	F-11-5	CAP, GRIP	FOP-8-2-9	CLIP, TUBE(B12)	E-18-24
BRACKET ASSY.	F-11-5	CAP, HANDLE	FOP-8-6-5	CLIP, TUBE(B12)	E-18-1-21
BRACKET B, CABLE	F-7-10-6	CAP, L. SIDE COVER	F-8-10-21	CLIP, TUBE(B12)	F-9-30
BRACKET B, HARNESS CLIP	E-9-10-9	CAP, OIL(YELLOW)	E-3-12	CLIP, TUBE(B8)	FOP-13-11
BRACKET C, HARNESS CLIP	E-9-10-10	CAP, REGULATOR	E-14-6	CLIP, TUBE(BLACK)(135MM)	E-18-29
BRACKET COMP., A.C. GENERATOR	E-19-17	CAP, SWITCH	FOP-8-8	CLIP, TUBE, 3.5	E-13-6
BRACKET D, HARNESS CLIP	E-3-15	CAP, WATER JOINT	F-8-20-1	CLIP, WIRE HARNESS	F-7-5
BRACKET E, HARNESS CLIP	E-15-9	CARTRIDGE, OIL FILTER	E-5-10	CLIP, WIRE HARNESS	F-8-20-20
BRACKET F, CLIP	E-9-20-12	CASE ASSY., BALANCER HOLDER	E-10-1	CLIP, WIRE HARNESS	F-10-49
BRACKET, BUZZER	FOP-6-1-14	CASE ASSY., CHAIN	E-9-10-1	CLIP, WIRE HARNESS(6.3MM)	FOP-8-6-65
BRACKET, CLIP B	E-3-14	CASE ASSY., ELECTRONIC PARTS	E-20-10-1	CLIP, WIRE HARNESS, 25MM	E-18-1-22
BRACKET, FR.	E-21-10	CASE ASSY., GEAR(L)	F-3-10-1	CLUTCH COMP., OVERRUNNING	E-21-2
BRACKET, FR. UNDER COVER	F-8-10-5	CASE ASSY., GEAR(L)	F-3-10-1	CLUTCH COMP., OVERRUNNING	E-21-2
BRACKET, HOOK	F-8-3	CASE ASSY., GEAR(XL)	F-3-10-1	COIL COMP., PLUG HOLE	E-20-1
BRACKET, HOOK	F-8-3	CASE ASSY., GEAR(XL)	F-3-10-1	COLLAR	E-18-10-23
BRACKET, HOOK	F-8-3	CASE ASSY., GEAR(XL)	F-3-10-1	COLLAR	E-18-10-26
BRACKET, HOOK	F-8-3	CASE COMP., MOUNT	F-9-21	COLLAR, 8.5X14.5	E-14-35
BRACKET, L. SIDE COVER	F-8-10-7	CASE COMP., PUMP	E-18-10-27	COLLAR, 8.5X14.5	E-18-28
BRACKET, L. STERN	F-10-13	CASE COMP., SILENCER	E-15-5	COLLAR, 8.5X14.5	E-18-10-52
BRACKET, LINK JOINT	FOP-8-6-19	CASE KIT, CHAIN	E-9-10-30	COLLAR, C.D.I. UNIT CASE	E-13-8
BRACKET, NEUTRAL SWITCH	F-2-23	CASE, EXTENSION	F-3-20-1	COLLAR, C.D.I. UNIT CASE	E-15-22
BRACKET, R. SIDE COVER	F-8-10-6	CASE, EXTENSION(L)	F-3-20-1	COLLAR, C.D.I. UNIT CASE	E-20-10-6
BRACKET, R. STERN	F-10-12	CASE, GEAR	F-3-3	COLLAR, C.D.I. UNIT CASE	F-7-10-17
BRACKET, RELAY	E-3-18	CASE, OIL	E-6-1	COLLAR, CAMSHAFT	E-9-33
BRACKET, REMOTE CONTROL HOUSING	FOP-8-12	CASE, SWIVEL	F-10-9	COLLAR, DISTANCE	F-4-34
BRACKET, REMOTE CONTROL HOUSING	FOP-8-2-13	CHAIN(176L)(BORG WARNER)	E-9-7	COLLAR, DISTANCE	FOP-10-1-11
BRACKET, RR.	E-21-11	CHAIN(62L)	E-10-5	COLLAR, DISTANCE(A)	FOP-9-3
BRACKET, SENSOR CORD	E-15-10	CIRCLIP, EXTERNAL, 14MM	F-5-28	COLLAR, DISTANCE(B)	FOP-9-4
BRACKET, SHIFT LINK	F-2-19	CIRCLIP, EXTERNAL, 14MM	F-5-1-30	COLLAR, DISTANCE, 6.5X11X7.5	F-9-4
BRACKET, SUB HARNESS CLIP	E-9-10-33	CIRCLIP, EXTERNAL, 39MM	F-10-48	COLLAR, DISTANCE, 6.5X9X3	F-8-12
BRACKET, TILTING	F-10-17	CIRCLIP, INTERNAL	F-11-34	COLLAR, DISTANCE, 6.5X9X5	F-8-20-21
BRACKET, TROLLING CONTROL SWITCH PANEL	FOP-12-4	CIRCLIP, INTERNAL, 40	F-3-20-16	COLLAR, DISTANCE, 6X10X43.5	FOP-8-6-67
BRACKET, WATER TUBE CLAMP	E-4-5	CLAMP	F-6-5	COLLAR, LINK JOINT	FOP-8-6-66
BREAKER ASSY.	F-11-1	CLAMP	F-6-8	COLLAR, LOWER CYLINDER	F-10-23
BREAKER ASSY.	F-11-1	CLAMP	FOP-1-2	COLLAR, LOWER MOUNTING	F-3-20-6
BREAKER ASSY.	F-11-1	CLAMP B, WATER TUBE	E-4-12	COLLAR, ORIFICE	F-11-46
BREAKER ASSY.	F-11-1	CLAMP, 18.5MM	E-9-10-28	COLLAR, SLIDING PLATE	FOP-8-6-16
BREAKER ASSY.	F-11-1	CLAMP, 18.5MM	E-13-7	COLLAR, STEERING ROD	F-10-53
BRUSH ASSY.	F-11-2	CLAMP, ENGINE SUB CORD	F-7-30-3	CONNECTOR(T)	FOP-11-7
BRUSH ASSY.	F-11-2	CLAMP, FUEL HOSE	E-15-23	CONTROL UNIT, ELECTRONIC	E-20-10-3
BRUSH ASSY.	F-11-2	CLAMP, HARNESS	FOP-8-6-9	CORD ASSY., INDICATOR(20FT)	FOP-6-4
BRUSH ASSY.	F-11-2	CLAMP, HOSE	E-18-12	CORD ASSY., INDICATOR(25FT)	FOP-6-4
BRUSH SET	E-21-7	CLAMP, HOSE	F-7-30-1	CORD ASSY., INDICATOR(30FT)	FOP-6-4
BRUSH SET	E-21-7	CLAMP, PIPE	E-18-13	CORD COMP., EMERGENCY	FOP-6-1-9
BUFFER, PLATE	E-18-1-4	CLAMP, POWER TILT CORD	FOP-8-6-31	CORD COMP., EMERGENCY	FOP-6-2-8
BUSH A, COVER LOCK	F-2-25	CLAMP, PURGE HOSE	E-18-30	CORD COMP., EMERGENCY	FOP-6-3-8
BUSH A, COVER LOCK	F-8-10-11	CLAMP, TUBE(8.0)	E-18-10-50	CORD COMP., EMERGENCY	FOP-6-4-8
BUSH A, COVER LOCK	F-8-10-12	CLAMP, TUBE(D10.5)	E-4-10-8	CORD COMP., EMERGENCY	FOP-8-6-42
BUSH B, COVER LOCK	F-8-10-13	CLAMP, TUBE(D10.5)	F-9-29	COTTER, VALVE(FUJI VALVE)	E-9-26
BUSH COMP., VERTICAL SHAFT	F-3-20-2	CLAMP, TUBE(D10.5)	F-9-31	COVER ASSY.	FOP-8-4-11
BUSH, BLADE BRAKE	F-2-26	CLAMP, TUBE(D10.7)	E-18-22	COVER ASSY.	FOP-8-4-11
BUSH, INSULATION	E-19-20	CLAMP, TUBE(D17)	E-15-21	COVER ASSY., ENGINE T107BAY BLUE	F-8-1
BUSH, LOWER CYLINDER	F-11-25	CLAMP, TUBE(D25.0)	E-4-10-10	COVER ASSY., ENGINE T107BAY BLUE	F-8-1
BUSH, MOTOR CODE	F-11-19	CLAMP, TUBE(D32.5)	E-4-10-9	COVER ASSY., ENGINE T107BAY BLUE	F-8-1
BUSH, MOTOR CODE	FOP-13-8	CLAMP, WATER TUBE	E-4-10-11	COVER ASSY., ENGINE T107BAY BLUE	F-8-1
BUSH, SWIVEL CASE	F-10-11	CLIP B1, TUBE	F-9-32	COVER ASSY., ENGINE T107BAY BLUE	F-8-1
BUSH, SWIVEL CASE	F-11-10	CLIP(10.7MM)	F-8-20-18	COVER ASSY., OIL PATH	E-9-20-8
BUSH, TILT ARM	F-10-16	CLIP(14MM)	FOP-13-12	COVER B, TERMINAL	F-7-10-5
BUTTON, THROTTLE	FOP-8-9	CLIP, BRAKE PIPE(A)	F-2-24	COVER B, TERMINAL(L)	F-7-2

COVER B, TERMINAL(L).....	F-7-10-4	FLYWHEEL COMP.	E-5-12	HOLDER COMP., BRUSH.....	E-21-9
COVER COMP.	E-18-10-6	FRAME COMP., MOUNTING.....	F-10-5	HOLDER COMP., BRUSH.....	E-21-9
COVER COMP., CYLINDER HEAD.....	E-1-1	FUSE, BLOCK 100A(L TYPE).....	F-7-20-3	HOLDER, BEARING.....	F-5-1-11
COVER COMP., FUSE.....	F-7-20-2	FUSE, MINI(10A).....	F-7-20-10	HOLDER, DRAIN TUBE.....	F-2-47
COVER COMP., PLUG HOLE COIL.....	E-1-4	FUSE, MINI(15A).....	F-7-20-11	HOLDER, NEUTRAL LOCK.....	FOP-8-4-14
COVER, BEARING.....	E-19-5	FUSE, MINI(30A).....	F-7-20-12	HOLDER, OIL FILTER.....	E-5-16
COVER, CHAIN CASE.....	E-9-10-2	<G>		HOLDER, PROPELLER SHAFT.....	F-5-10
COVER, DRAIN PLUG.....	F-8-20-8	GASKET A, INJECTOR BASE.....	E-14-11	HOLDER, PROPELLER SHAFT.....	F-5-1-10
COVER, DUAL GRIP.....	FOP-8-2-8	GASKET B, IMPELLER.....	F-4-6	HOLDER, SEAL.....	F-2-20
COVER, EX. MANIFOLD.....	E-4-3	GASKET B, IMPELLER.....	FOP-10-3	HOLDER, SHIFT ROD.....	F-4-11
COVER, FLUSH VALVE.....	F-9-14	GASKET B, IMPELLER.....	FOP-10-1-6	HOLDER, SHIFT ROD.....	F-4-11
COVER, FR. SEPARATE.....	F-8-20-6	GASKET COMP., CYLINDER HEAD.....	E-9-20-6	HOLDER, SHIFT ROD.....	F-4-11
COVER, GEAR CASE.....	F-3-5	GASKET COMP., EX. MANIFOLD.....	E-4-4	HOLDER, SHIFT ROD.....	F-4-11
COVER, GRIP.....	FOP-8-4-4	GASKET, EX. GUIDE.....	F-9-6	HOLDER, SHIFT ROD.....	F-4-11
COVER, IMPELLER.....	F-4-5	GASKET, IDLE EX. PORT.....	F-9-8	HOLDER, UPPER MOUNTING.....	F-10-7
COVER, IMPELLER.....	FOP-10-1-5	GASKET, MOUNT CASE.....	E-6-8	HOSE COMP., FUEL.....	E-18-6
COVER, L. ENGINE UNDER.....	F-8-20-10	GASKET, UPPER MOUNTING HOLDER.....	F-10-8	HOSE KIT, RIGGING.....	FOP-1-1
COVER, L. GRIP.....	FOP-8-5	GAUGE COMP., OIL LEVEL.....	E-6-5	HOSE, PRESSURE REGULATOR RETURN.....	E-18-14
COVER, L. GRIP.....	FOP-8-2-6	GEAR ASSY., PLANETARY.....	E-21-3	HOUSING ASSY., L. INNER.....	FOP-8-3
COVER, LOCK ARM.....	FOP-8-4-6	GEAR ASSY., INTERNAL.....	E-21-15	HOUSING ASSY., L. INNER.....	FOP-8-2-3
COVER, OIL PUMP.....	E-5-4	GEAR ASSY., INTERNAL.....	E-21-23	HOUSING ASSY., R. INNER.....	FOP-8-2-4
COVER, PUMP(A).....	E-18-10-29	GEAR COMP., BEVEL(FORWARD 30T).....	F-5-7	HOUSING ASSY., R. INNER.....	FOP-8-4-2
COVER, PUMP(B).....	E-18-10-28	GEAR COMP., BEVEL(RVS. 30T).....	F-5-1-8	HOUSING COMP., DUAL REMOTE CONTROL BOX.....	FOP-8-2-14
COVER, R. ENGINE UNDER.....	F-8-20-9	GEAR, BEVEL(FORWARD 30T).....	F-5-1-7	HOUSING COMP., DUAL REMOTE CONTROL BOX.....	FOP-8-2-14
COVER, RELIEF VALVE.....	F-9-18	GEAR, BEVEL(RVS. 30T).....	F-5-8	HOUSING COMP., REMOTE CONTROL BOX.....	FOP-8-2-14
COVER, STARTER TERMINAL.....	F-7-10-3	GEAR, PINION.....	F-4-16	HOUSING COMP., REMOTE CONTROL BOX.....	FOP-8-13
COVER, THERMOSTAT.....	E-9-10-6	GENERATOR ASSY., A.C.....	E-19-15	HOUSING COMP., REMOTE CONTROL BOX.....	FOP-8-13
COVER, WATER JACKET.....	E-18-10-12	GENERATOR ASSY., A.C.....	E-19-15	HOUSING COMP., REMOTE CONTROL BOX.....	FOP-8-13
CRANKCASE COMP.....	E-3-1	GRIP.....	F-13-2	HOUSING COMP., REMOTE CONTROL BOX(A).....	FOP-8-13
CRANKSHAFT COMP.....	E-7-8	GRIP, REMOTE CONTROL HANDLE.....	FOP-8-6	HOUSING COMP., REMOTE CONTROL BOX(A)LA,XA.....	FOP-8-6-10
CRANKSHAFT COMP.....	E-7-8	GRIP, REMOTE CONTROL HANDLE.....	FOP-8-2-7	HOUSING COMP., REMOTE CONTROL BOX(B)LA,XA.....	FOP-8-6-11
CRANKSHAFT COMP.....	E-7-8	GRIP, REMOTE CONTROL HANDLE.....	FOP-8-6-4	HOUSING, IMPELLER.....	F-4-3
CUP SET, WATER SEPARATOR.....	E-18-1-3	GROMMET, ELECTRONIC PARTS CASE.....	E-20-10-2	HOUSING, IMPELLER.....	FOP-10-1-3
CUP, FUEL STRAINER.....	E-18-1-13	GROMMET, EXTENSION CASE.....	F-4-12	HOUSING, LEAD.....	FOP-8-14
<D>		GROMMET, GEAR CASE.....	F-3-4	HOUSING, LEAD.....	FOP-8-2-15
DAMPER, HOOK.....	F-8-4	GROMMET, POWER TILT SWITCH.....	F-8-20-4	HOUSING, LOWER CENTER MOUNTING.....	F-3-20-7
DOWEL PIN, 10X12.....	E-7-17	GROMMET, RELAY.....	F-7-10-8	HOUSING, LOWER MOUNTING.....	F-3-20-4
DOWEL PIN, 10X16.....	E-5-25	GROMMET, REMOTE CONTROL CABLE.....	F-8-10-2	HOUSING, REMOTE CONTROL BOX(C).....	FOP-8-6-12
DOWEL PIN, 10X16.....	E-6-20	GROMMET, SILENCER.....	E-15-6	HOUSING, WATER SEAL.....	F-4-15
DOWEL PIN, 10X16.....	E-9-20-25	GROMMET, SILENCER DUCT.....	E-15-7	IMPELLER, PUMP.....	F-4-2
DOWEL PIN, 13X14.....	E-3-34	GROMMET, TA SENSOR.....	E-15-14	IMPELLER, PUMP.....	FOP-10-2
DOWEL PIN, 13X20.....	E-3-33	GROMMET, UNDER CASE.....	E-13-4	IMPELLER, PUMP.....	FOP-10-1-2
DOWEL PIN, 14X20.....	E-5-26	GROMMET, UNDER CASE.....	E-15-15	INJECTOR ASSY., FUEL.....	E-14-2
DOWEL PIN, 14X20.....	E-6-21	GROMMET, UNDER CASE(C).....	F-8-10-3	INSULATOR.....	E-18-10-31
DOWEL PIN, 14X20.....	E-9-20-26	GROMMET, UNDER COVER.....	F-8-20-5	INSULATOR COMP.....	E-18-10-30
DOWEL PIN, 18X13.....	E-10-12	GROMMET, VAPOR SEPARATOR.....	E-18-10-34	<J>	
DOWEL PIN, 18X22.....	E-3-32	GROMMET, VAPOR SEPARATOR.....	E-18-10-35	JOINT A, BREATHER.....	FOP-13-2
DOWEL PIN, 4.2X10.3.....	E-9-32	GROMMET, WATER CHECK.....	F-8-20-13	JOINT ASSY (INLET).....	F-6-2
DOWEL PIN, 6X10.....	E-6-19	GROMMET, WATER TUBE.....	E-6-6	JOINT ASSY (OUTLET).....	F-6-3
DOWEL PIN, 6X10.....	F-3-18	GUIDE COMP. B, CAM CHAIN.....	E-9-12	JOINT SET.....	E-18-10-8
DOWEL PIN, 6X10.....	F-3-20-17	GUIDE COMP., BALANCER SHAFT CHAIN.....		JOINT, DRIVE.....	F-11-14
DOWEL PIN, 6X10.....	F-4-25	GUIDE COMP., CAM CHAIN.....	E-10-7	JOINT, FOUR-WAY.....	E-4-10-6
DOWEL PIN, 8X10.....	E-10-13	GUIDE COMP., CAM CHAIN.....	E-9-11	JOINT, FUEL PIPE.....	E-14-8
DRIVER, SCREW(NO.2 + -).....	F-13-1	GUIDE COMP., EX.....	F-9-5	JOINT, FUEL PIPE.....	E-14-9
DUCT A, SILENCER.....	E-13-1	GUIDE COMP., ROD.....	F-11-15	JOINT, FUEL PIPE.....	E-18-10-38
DUCT B, SILENCER.....	E-13-2	GUIDE COMP., ROD.....	F-11-15	JOINT, FUEL TUBE.....	E-4-10-2
DUMMY, WATER PROOF (GREEN).....	FOP-6-2-18	GUIDE COMP., ROD.....	F-11-15	JOINT, FUEL TUBE.....	E-18-1-18
DUMMY, WATER PROOF (GREEN).....	FOP-6-3-18	GUIDE, ENGINE COVER AIR.....	F-8-6	JOINT, WATER HOSE.....	F-9-12
DUMMY, WATER PROOF (GREEN).....	FOP-6-4-18	GUIDE, EX. VALVE(OS).....	E-9-20-3	<K>	
<E>		GUIDE, IN. VALVE(OS).....	E-9-20-2	KEY, 4.5X21.....	E-7-16
END COVER, RR.....	E-19-19	<H>		KEY, WOODRUFF.....	F-4-24
END, NIPPLE.....	F-3-10	HANDLE, REMOTE CONTROL.....	FOP-8-4	KEY, WOODRUFF.....	FOP-10-4
END, NIPPLE.....	FOP-13-5	HANDLE, REMOTE CONTROL.....	FOP-8-2-5	KEY, WOODRUFF.....	FOP-10-1-9
E-RING, 10MM.....	F-4-35	HANDLE, REMOTE CONTROL.....	FOP-8-4-3	KIT, CABLE(NMEA)(6FT).....	FOP-11-1
E-RING, 12MM.....	F-2-51	HANDLE, REMOTE CONTROL.....	FOP-8-6-2	KIT, COVER HOOK.....	F-8-15
E-RING, 15MM.....	F-11-47	HANGER B, ENGINE.....	E-19-1	<L>	
E-RING, 3MM.....	FOP-8-6-77	HANGER, ENGINE.....	E-3-5	LABEL, FUSE.....	F-12-1
E-RING, 4MM.....	F-2-49	HARNESS ASSY., MAIN WIRE.....	F-7-1	LABEL, OIL CAUTION(E).....	F-12-7
E-RING, 4MM.....	FOP-8-6-78	HARNESS ASSY., REMOTE CONTROL SUB.....		LABEL, OIL CAUTION(EF).....	F-12-7
E-RING, 6MM.....	F-2-50	HARNESS ASSY., SUB WIRE(A).....	FOP-11-2	LABEL, WARNING OPERATOR.....	F-12-8
E-RING, 6MM.....	F-8-10-29	HARNESS ASSY., SUB WIRE(B).....	E-9-10-31	LABEL, WARNING OPERATOR(EC).....	F-12-8
E-RING, 6MM.....	FOP-8-36	HARNESS ASSY., SWITCH PANEL.....	FOP-6-1-4	LAMP ASSY., INDICATION.....	FOP-8-6-44
E-RING, 6MM.....	FOP-8-2-41	HARNESS ASSY., SWITCH PANEL.....	FOP-6-2-3	LAMP ASSY., INDICATION(4-LED).....	FOP-6-1-11
E-RING, 6MM.....	FOP-8-4-28	HARNESS ASSY., SWITCH PANEL.....	FOP-6-3-3	LEVER SET.....	E-21-17
E-RING, 7MM.....	FOP-8-6-79	HARNESS ASSY., SWITCH PANEL.....	FOP-6-4-3	LEVER, COVER LOCK.....	F-8-10-10
<F>		HARNESS COMP.....	E-18-10-42	LEVER, HANDLE LOCK.....	FOP-8-6-3
FILTER ASSY., SPOOL VALVE.....	E-9-20-7	HARNESS, TROLLING CONTROL SWITCH PANEL.....	FOP-12-5	LEVER, IDLE.....	FOP-8-6-22
FILTER ASSY., VTC.....	E-9-20-11	HEAD KIT, CYLINDER.....	E-9-20-1	LINE, FUEL.....	E-14-4
FILTER B.....	F-11-17	HOLDER.....	E-18-10-11	LINER, PUMP.....	F-4-4
FILTER COMP., ELECTRONIC AIR CONTROL VALVE.....	E-14-16	HOLDER ASSY., BRUSH.....	E-19-2		
FLANGE COMP., OIL FILTER.....	E-5-11				
FLOAT SET.....	E-18-10-2				

LINER, PUMP	FOP-10-1-4	NUT, HEX., 6MM	FOP-9-5	PACKING, ELECTRONIC AIR CONTROL VALVE	E-14-18
LINER, SWIVEL CASE	F-10-10	NUT, LOCK, 64MM	F-4-20	PACKING, FLASH VALVE	F-9-19
LINK, THROTTLE	F-2-3	NUT, PULLEY LOCK	E-19-7	PACKING, INTAKE MANIFOLD	E-14-12
LINKAGE, PIVOT	F-2-1	NUT, SELF-LOCK(25X2.0)	F-10-35	PACKING, OIL PAN	E-6-2
LOCK COMP., FR.	F-8-10-19	NUT, SELF-LOCK(3/8-24UNF)	F-10-38	PACKING, OIL PUMP BODY	E-5-3
LOCK COMP., FR.	F-8-10-19	NUT, SELF-LOCK(7/8-14UNF)	F-10-34	PACKING, SINGLE	FOP-8-18
LOCK COMP., FR.	F-8-10-19	NUT, SELF-LOCK, 5MM	F-3-17	PACKING, THERMOSTAT COVER	E-9-10-7
LOCK COMP., SIDE	F-8-10-20	NUT, SELF-LOCK, 6MM	F-3-16	PACKING, THROTTLE BODY	E-14-13
LOCK COMP., SIDE	F-8-10-20	NUT, TAPPET ADJUSTING	E-9-30	PANEL ASSY., CONTROL(SINGLE)	FOP-6-2-19
LOCK COMP., SIDE	F-8-10-20	NUT, TAPPET ADJUSTING	E-9-31	PANEL ASSY., CONTROL(TRIPLE)	FOP-6-4-19
LOCK COMP., SIDE	F-8-10-20	NUT, WATER MOUTH	F-9-11	PANEL ASSY., CONTROL(TWIN)	FOP-6-3-19
LOW PERMEATION HOSE L=1600	F-6-7	NUT-WASHER, 5MM	E-19-30	PANEL ASSY., TROLLING CONTROL	FOP-12-6
LOW PERMEATION HOSE L=700	F-6-6	NUT-WASHER, 6MM	F-7-4	PANEL KIT, SWITCH(4-LED)	FOP-6-1-1
<M>		NUT-WASHER, 8MM	F-7-10-13	PANEL KIT, SWITCH(4-LED) (EU)	FOP-6-1-1
MANIFOLD COMP., EX	E-4-2	<O>		PANEL KIT, SWITCH(SINGLE)	FOP-6-2-1
MANIFOLD COMP., INLET	E-14-14	OIL SEAL	F-11-35	PANEL KIT, SWITCH(TRIPLE)	FOP-6-4-1
MARK, FAST IDLE	FOP-8-6-48	OIL SEAL, 14X26X6	F-2-44	PANEL KIT, SWITCH(TWIN)	FOP-6-3-1
MARK, FLUSH MOUNT	FOP-8-4-19	OIL SEAL, 31X46X7(NOK)	E-5-21	PANEL, CONTROL	FOP-6-1-3
MARK, FR. EMBLEM(115)	F-12-4	OIL SEAL, 39.5X52X6(ARAI)	F-10-51	PANEL, CONTROL	FOP-6-1-3
MARK, FR.(BFT115)	F-12-4	OIL SEAL, 43X58X7(ARAI)	E-9-10-22	PANEL, CONTROL(SINGLE)	FOP-6-2-2
MARK, HANDLE FLUSH MOUNT	FOP-8-4-18	OIL SEAL, 46X60X9	E-5-20	PANEL, CONTROL(TRIPLE)	FOP-6-4-2
MARK, HANDLE FLUSH MOUNT	FOP-8-4-18	OIL SEAL, 80X98X10(ARAI)	E-3-35	PANEL, CONTROL(TWIN)	FOP-6-3-2
MARK, REMOTE CONTROL(DUAL)	FOP-8-2-24	ORIFICE, LOWER BLOCK	E-3-4	PIN A, DOWEL, 12X16	E-10-14
MARK, REMOTE CONTROL(SINGLE)	FOP-8-21	ORIFICE, OIL JET	E-3-8	PIN, 6X6	FOP-8-6-63
MARK, RR.(115)	F-12-2	O-RING	E-15-12	PIN, LINK	F-2-38
MARK, RR.(115)	F-12-2	O-RING	E-18-1-5	PIN, LINK	F-2-40
MARK, SIDE STRIPE	F-12-3	O-RING	E-18-1-16	PIN, LOCK, 6MM	FOP-8-6-62
MARK, SIDE STRIPE	F-12-3	O-RING	E-18-10-13	PIN, PISTON	E-7-3
MARK, SIDE STRIPE	F-12-10	O-RING	E-18-10-14	PIN, SHIFT LINK	F-2-39
METAL COMP., ANODE	F-3-9	O-RING	E-18-10-15	PIN, SHIFTER, 8X47	F-5-2
METAL KIT, ANODE	F-10-1	O-RING	E-18-10-16	PIN, SHIFTER, 8X47	F-5-1-2
METAL, ANODE	E-4-1	O-RING	E-18-10-17	PIN, SNAP, 12MM	F-2-41
METAL, BALANCER SHAFT(DAIDO)	E-10-8	O-RING	E-18-10-18	PIN, SPLIT, 4.0	F-5-19
METER LEAD WIRE	FOP-2-3	O-RING	E-18-10-19	PIN, SPLIT, 4.0	F-5-1-21
MOTOR ASSY., POWER TILT	F-11-4	O-RING SET, 3.5X31.7	F-11-43	PIN, SPRING, 2.5X20	F-10-55
MOTOR ASSY., POWER TILT	F-11-4	O-RING, 1.8X69.6	F-11-37	PIN, UPPER CYLINDER	F-11-26
MOTOR ASSY., POWER TILT	F-11-4	O-RING, 1.8X7.7	F-11-39	PIN, UPPER CYLINDER	F-11-26
MOTOR ASSY., POWER TILT	F-11-4	O-RING, 1.9X11	F-11-40	PIN, UPPER CYLINDER	F-11-26
MOTOR ASSY., POWER TILT	F-11-4	O-RING, 105X3.1	F-5-27	PIN, UPPER CYLINDER	F-11-26
MOTOR ASSY., POWER TILT	F-11-4	O-RING, 105X3.1	F-5-1-29	PIPE COMP., OIL LEVEL	F-9-1
MOTOR ASSY., STARTER	E-21-1	O-RING, 11.5X3.5	F-9-35	PIPE, HARNESS GUIDE	FOP-8-6-32
MOUNT COMP., UPPER RUBBER	F-10-6	O-RING, 13X1.5(ARAI)	E-3-39	PISTON A	E-7-2
<N>		O-RING, 15.54X2.26	F-10-52	PISTON B	E-7-2
NIPPLE, GREASE	F-10-50	O-RING, 15X1.9	E-9-10-27	PISTON COMP., FREE	F-11-22
NIPPLE, SENSOR	F-3-11	O-RING, 15X1.9	E-9-20-22	PIVOT, SHIFT	F-2-15
NUT	FOP-6-2-15	O-RING, 16MM	F-9-34	PIVOT, SHIFT	FOP-8-6-17
NUT	FOP-6-3-15	O-RING, 2.0X70.5	F-11-36	PIVOT, SHIFT SLIDE	F-2-16
NUT	FOP-6-4-15	O-RING, 20.6X2.6	E-6-18	PLATE	E-18-1-17
NUT, ADJUSTER ROD	F-10-36	O-RING, 22.5X2.4	E-5-22	PLATE	E-18-10-10
NUT, CASTLE, 18MM	F-5-13	O-RING, 25X2.4(NOK)	F-2-46	PLATE COMP., SLIDING	FOP-8-6-15
NUT, CASTLE, 18MM	F-5-1-14	O-RING, 26X2.7	E-3-36	PLATE COMP., THROTTLE	F-2-4
NUT, CLIP	F-8-20-16	O-RING, 3.5X35.7	F-11-41	PLATE SET, TRANSOM(5.5MM FLAT)	FOP-7-2
NUT, FLANGE CAP, 10MM	E-3-30	O-RING, 3.5X38.7	F-11-38	PLATE SET, TRIM ADJUST	FOP-7-1
NUT, FLANGE CAP, 6MM	E-1-6	O-RING, 3.5X41.7	F-11-42	PLATE, CABLE CLAMP	FOP-8-11
NUT, FLANGE, 10MM	F-10-37	O-RING, 33.2X2.4(NOK)	E-18-26	PLATE, CABLE CLAMP	FOP-8-2-12
NUT, FLANGE, 12MM	F-3-20-13	O-RING, 37X2.4	E-4-15	PLATE, CRANK PULSER	E-7-13
NUT, FLANGE, 12MM	F-10-33	O-RING, 55.6X3.5	F-4-31	PLATE, DWELL	FOP-8-15
NUT, FLANGE, 5MM	FOP-6-1-2	O-RING, 58.5X3.5	F-4-33	PLATE, DWELL	FOP-8-2-16
NUT, FLANGE, 5MM	FOP-6-2-14	O-RING, 59.4X3.1	E-21-22	PLATE, DWELL	FOP-8-4-10
NUT, FLANGE, 5MM	FOP-6-3-14	O-RING, 6.5X1.5	E-3-37	PLATE, HANDLE	FOP-8-10
NUT, FLANGE, 5MM	FOP-6-4-14	O-RING, 6.9X1.45	F-3-19	PLATE, HANDLE	FOP-8-2-11
NUT, FLANGE, 6MM	E-14-29	O-RING, 7.45X3.61(NOK)	E-14-34	PLATE, LEVER SETTING	FOP-8-6-8
NUT, FLANGE, 8MM	E-14-28	O-RING, 7.47X3.6	E-14-33	PLATE, LOCK	F-2-17
NUT, FLANGE, 8MM	E-19-29	O-RING, 7.8X1.9(ARAI)	E-14-32	PLATE, REMOTE CONTROL	FOP-8-6-47
NUT, HEX., 12MM	F-10-54	O-RING, 7.8X1.9(ARAI)	E-18-10-51	PLATE, REMOTE CONTROL CABLE	F-2-5
NUT, HEX., 16MM	F-8-20-17	O-RING, 76.4X3.1	E-4-13	PLATE, RUBBER SETTING	F-3-1
NUT, HEX., 16MM	FOP-6-1-16	O-RING, 79.8X3.1	E-4-14	PLATE, SHIFT	F-5-6
NUT, HEX., 16MM	FOP-8-6-53	O-RING, 9.5X1.5(HONDA KIKAKI)	E-9-10-25	PLATE, SHIFT	F-5-1-6
NUT, HEX., 18MM	F-4-21	O-RING, 9.5X1.9	E-3-38	PLATE, SHIFT PIVOT	F-2-14
NUT, HEX., 20MM	F-2-32	O-RING, 9.5X1.9	E-4-16	PLATE, SPEED SENSOR TUBE	FOP-13-7
NUT, HEX., 4MM	FOP-12-8	O-RING, 9.5X1.9	E-9-10-26	PLATE, SPRING SETTING	FOP-8-6-23
NUT, HEX., 5MM	F-2-48	O-RING, CHAIN CASE	E-9-10-23	PLATE, STEERING	F-10-19
NUT, HEX., 5MM	FOP-8-29	O-RING, THERMOSTAT COVER	F-9-20	PLATE, STEERING	F-10-20
NUT, HEX., 5MM	FOP-8-35	O-RING, WATER PUMP	F-4-32	PLATE, TDC PULSE	E-9-2
NUT, HEX., 5MM	FOP-8-2-33	O-RING, WATER PUMP	FOP-10-5	PLATE, WATER TUBE	E-6-7
NUT, HEX., 5MM	FOP-8-2-34	O-RING, WATER PUMP	FOP-10-1-10	PLATE, WINKER BUZZER	FOP-6-1-12
NUT, HEX., 5MM	FOP-8-2-40	<P>		PLATE, WINKER BUZZER	FOP-8-6-45
NUT, HEX., 5MM	FOP-8-6-76	PACKING	E-21-16	PLUG, INNER CONNECTOR	FOP-6-1-5
NUT, HEX., 6MM	E-19-31	PACKING	F-11-45	PLUG, INNER CONNECTOR	FOP-6-2-4
NUT, HEX., 6MM	F-8-14	PACKING, CHAIN CASE	E-9-10-24	PLUG, INNER CONNECTOR	FOP-6-3-4
NUT, HEX., 6MM	FOP-8-4-25	PACKING, CYLINDER HEAD COVER	E-1-2	PLUG, INNER CONNECTOR	FOP-6-4-4
NUT, HEX., 6MM	FOP-8-6-54	PACKING, DUAL	FOP-8-2-19	PLUG, INNER CONNECTOR	FOP-8-6-35
NUT, HEX., 6MM	FOP-8-6-75				

PLUG, INNER CONNECTOR	FOP-11-3	RUBBER COMP., LOWER MOUNT.....	F-3-20-5	SEAL, FR. SEPARATE COVER	F-8-20-7
PLUG, OUTER CONNECTOR.....	FOP-6-1-6	RUBBER, FR. CARRIER CUSHION	E-14-19	SEAL, PLUG HOLE.....	E-20-2
PLUG, OUTER CONNECTOR.....	FOP-6-2-5	RUBBER, MOUNT CASE SEAL	F-9-22	SEAL, SPARK PLUG TUBE(NOK)	E-1-3
PLUG, OUTER CONNECTOR.....	FOP-6-3-5	RUBBER, OIL PUMP	E-6-3	SEAL, WATER	F-11-44
PLUG, OUTER CONNECTOR.....	FOP-6-4-5	RUBBER, RING	E-9-10-29	SEAL, WATER(14X26X8).....	F-2-45
PLUG, OUTER CONNECTOR.....	FOP-8-6-36	RUBBER, TROLLING CONTROL SWITCH PANEL		SEAL, WATER, 12X21X6	F-4-30
PLUG, OUTER CONNECTOR.....	FOP-11-4	<S>		SEAL, WATER, 22X35X7	F-9-33
PLUG, SPARK(IZFR6K-11)	E-20-4	SCREEN COMP., FUEL STRAINER	E-18-10-40	SEAL, WATER, 23X36X6	F-4-29
PLUG, SPARK(KJ20DR-M11)	E-20-4	SCREEN, L. WATER	F-3-7	SEAL, WATER, 23X36X8	F-4-28
PLUG, SPARK(SKJ20DR-M11)	E-20-4	SCREEN, R. WATER	F-3-6	SEAL, WATER, 30X45X7	F-5-26
PLUG, SPARK(ZFR6K-11)	E-20-4	SCREW,	E-19-9	SEAL, WATER, 30X45X7	F-5-1-28
PLUG, TDC HOLE	E-9-20-14	SCREW,	E-19-12	SEAT, SPRING(150).....	E-7-19
PLUG, VTC HOLE	E-9-20-9	SCREW,	E-19-12	SEAT, VALVE SPRING	E-9-25
PORT, IDLE EXHAUST	F-9-7	SCREW SET	E-15-1	SEAT, WATER MOUTH	F-9-13
PRIMER BULB	F-6-4	SCREW SET, DRAIN.....	E-18-10-7	SENSOR ASSY., AIR TEMP.....	E-15-13
PRIMER BULB ASSY	F-6-1	SCREW, 6X95	FOP-8-6-52	SENSOR ASSY., CRANK	E-9-10-13
PROPELLER COMP., THREE BLADES	F-5-11	SCREW, FLAT, 5X12	FOP-8-6-51	SENSOR ASSY., KNOCK	E-3-13
PROPELLER COMP., THREE BLADES	F-5-11	SCREW, FLAT, 6X16	E-5-23	SENSOR ASSY., MAP	E-15-11
PROPELLER COMP., THREE BLADES	F-5-11	SCREW, OVAL, 5X50	F-3-21	SENSOR ASSY., TDC	E-9-20-13
PROPELLER COMP., THREE BLADES	F-5-11	SCREW, PAN	E-18-10-21	SENSOR ASSY., TRIM ANGLE.....	F-10-4
PROPELLER COMP., THREE BLADES	F-5-11	SCREW, PAN, 4X10	FOP-8-26	SENSOR ASSY., WATER TEMPERATURE	E-3-16
PROPELLER COMP., THREE BLADES	F-5-11	SCREW, PAN, 4X10.....	FOP-8-2-29	SENSOR ASSY., WATER TEMPERATURE	E-4-7
PROPELLER COMP., THREE BLADES	F-5-11	SCREW, PAN, 5X10.....	FOP-8-23	SENSOR ASSY., WATER TEMPERATURE	E-9-10-11
PROPELLER COMP., THREE BLADES	F-5-11	SCREW, PAN, 5X10.....	FOP-8-2-26	SENSOR ASSY., WATER TEMPERATURE	E-9-10-12
PROPELLER COMP., THREE BLADES	F-5-11	SCREW, PAN, 5X10.....	FOP-8-6-69	SENSOR, LAF	E-4-6
PROPELLER COMP., THREE BLADES	F-5-11	SCREW, PAN, 5X12	E-18-1-12	SENSOR, OIL PRESSURE	E-3-17
PROPELLER COMP., THREE BLADES	F-5-11	SCREW, PAN, 5X16	FOP-8-22	SEPARATOR ASSY., VAPOR	E-18-10-33
PROPELLER COMP., THREE BLADES	F-5-11	SCREW, PAN, 5X16	FOP-8-2-25	SEPARATOR ASSY., WATER	E-18-1-2
PROPELLER COMP., THREE BLADES	F-5-1-12	SCREW, PAN, 5X16	FOP-8-4-20	SHAFT ASSY., CLUTCH	E-21-13
PROPELLER COMP., THREE BLADES	F-5-1-12	SCREW, PAN, 5X18	E-15-16	SHAFT ASSY., CLUTCH	E-21-13
PROPELLER COMP., THREE BLADES	F-5-1-12	SCREW, PAN, 5X18	FOP-8-2-25	SHAFT ASSY., GEAR	E-21-14
PROPELLER COMP., THREE BLADES	F-5-1-12	SCREW, PAN, 5X18	FOP-8-2-28	SHAFT ASSY., GEAR	E-21-14
PROPELLER COMP., THREE BLADES	F-5-1-12	SCREW, PAN, 5X20	FOP-8-24	SHAFT COMP. A, SHIFT	F-2-12
PULLER, MINI FUSE	F-7-20-4	SCREW, PAN, 5X20.....	FOP-8-2-27	SHAFT COMP. B, SHIFT	F-2-18
PULLEY	E-19-6	SCREW, PAN, 5X30.....	FOP-8-4-22	SHAFT COMP., FR. BALANCER	E-10-2
PULLEY, CRANKSHAFT	E-7-14	SCREW, PAN, 5X40	FOP-6-1-15	SHAFT COMP., RR. BALANCER	E-10-3
PUMP ASSY.	F-11-12	SCREW, PAN, 5X40.....	FOP-6-2-13	SHAFT, COVER OPEN	F-8-10-17
PUMP ASSY., FUEL	E-18-5	SCREW, PAN, 5X40	FOP-6-3-13	SHAFT, EX. ROCKER	E-9-16
PUMP ASSY., OIL.....	E-5-2	SCREW, PAN, 5X40	FOP-6-4-13	SHAFT, FR. LOCK	F-8-10-18
PUMP KIT, IMPELLER	FOP-10-1	SCREW, PAN, 5X40.....	FOP-8-28	SHAFT, IN. ROCKER	E-9-15
PUMP KIT, IMPELLER	FOP-10-1-1	SCREW, PAN, 5X40.....	FOP-8-2-31	SHAFT, PROPELLER	F-5-9
PUMP UNIT, FUEL	E-18-10-4	SCREW, PAN, 5X55	FOP-8-2-32	SHAFT, PROPELLER	F-5-1-9
PUMP UNIT, FUEL(B)	E-18-10-9	SCREW, PAN, 5X65	FOP-8-34	SHAFT, THROTTLE BUTTON	FOP-8-4-9
<R>		SCREW, PAN, 5X65	FOP-8-2-39	SHAFT, TILTING	F-10-15
RECEIVER, THRUST	F-10-22	SCREW, PAN, 5X8	E-21-20	SHAFT, VERTICAL(L).....	F-4-13
RECTIFIER ASSY.	E-19-21	SCREW, PAN, 6X10	FOP-8-6-50	SHAFT, VERTICAL(XL).....	F-4-13
REGULATOR ASSY.	E-19-22	SCREW, PAN, 6X18	E-4-18	SHIFTER, CLUTCH.....	F-5-1
REGULATOR ASSY., PRESSURE	E-14-5	SCREW, PAN, 6X18	FOP-8-27	SHIFTER, CLUTCH	F-5-1-1
RELAY ASSY., FUEL PUMP(DENSO)	F-7-20-5	SCREW, PAN, 6X18	FOP-8-2-30	SHIM A, BEVEL(0.10)	F-5-17
RELAY ASSY., POWER TILT	F-7-10-7	SCREW, PAN, 6X22	E-21-19	SHIM A, BEVEL(0.10)	F-5-1-18
RELAY ASSY., POWER(12V-20A)	F-7-20-6	SCREW, PAN, 6X22(SPECIAL)	E-21-19	SHIM A, GEAR(0.10)	F-4-23
RETAINER, SPRING	E-7-18	SCREW, PAN, 6X25	F-8-20-22	SHIM A, THRUST(0.10)	F-5-1-19
RETAINER, SPRING	E-7-18	SCREW, PAN, 6X35	FOP-8-4-23	SHIM B, BEVEL(0.15)	F-5-17
RETAINER, VALVE SPRING	E-9-24	SCREW, PAN, 6X8	F-3-20-12	SHIM B, BEVEL(0.15)	F-5-1-18
RING	E-18-10-32	SCREW, PAN, 6X8	F-11-33	SHIM B, GEAR(0.15)	F-4-23
RING SET, PISTON(STD.)	E-7-1	SCREW, PAN, 6X8	FOP-13-9	SHIM B, THRUST(0.15)	F-5-1-19
RING, BACK UP	F-11-18	SCREW, RIVET, 5X10	F-8-20-15	SHIM C, BEVEL(0.30)	F-5-17
RING, CROSS PIN	F-5-3	SCREW, RIVET, 5X10	FOP-13-10	SHIM C, BEVEL(0.30)	F-5-1-18
RING, CROSS PIN	F-5-1-3	SCREW, TAPPET ADJUSTING	E-9-20	SHIM C, GEAR(0.30)	F-4-23
RING, INNER(15X20X23).....	F-2-43	SCREW, TAPPET ADJUSTING	E-9-21	SHIM C, THRUST(0.30)	F-5-1-19
RING, STOPPER	F-2-11	SCREW, TAPPING	FOP-1-3	SHIM D, BEVEL(0.50)	F-5-17
RING, WATER TUBE SEAL	F-4-8	SCREW, TAPPING, 4X12	F-8-13	SHIM D, BEVEL(0.50)	F-5-1-18
RING, WATER TUBE SEAL	FOP-10-1-7	SCREW, TAPPING, 4X25	FOP-11-8	SHIM D, GEAR(0.50)	F-4-23
ROD COMP. A, SHIFT(L)	F-2-10	SCREW, TAPPING, 5X10	FOP-8-6-71	SHIM D, THRUST(0.50)	F-5-1-19
ROD COMP. A, SHIFT(XL)	F-2-10	SCREW, TAPPING, 5X12	FOP-8-6-72	SLIDER, SHIFT	F-5-4
ROD COMP., CONNECTING	E-7-6	SCREW, TAPPING, 5X20	E-13-9	SLIDER, SHIFT	F-5-1-4
ROD COMP., CONNECTING	E-7-6	SCREW, TAPPING, 5X25	FOP-8-6-74	SLINGER, OIL	F-4-14
ROD COMP., PISTON	F-11-20	SCREW, TAPPING, 5X8	FOP-8-6-70	SPACER KIT, REMOTE CONTROL BOX	FOP-8-2
ROD COMP., PISTON(B)	F-11-13	SCREW, TAPPING, 6X16	FOP-8-6-73	SPACER KIT, REMOTE CONTROL BOX	FOP-8-2-2
ROD COMP., SHIFT	F-4-9	SCREW, TAPPING, 6X30	FOP-8-4-24	SPACER KIT, THERMOSTAT COVER	E-9-10-5
ROD COMP., SHIFT	F-4-9	SCREW, TRUSS, 4X12.....	FOP-8-4-21	SPACER, CABLE CLAMP	FOP-8-17
ROD COMP., THROTTLE	F-2-2	SCREW, WASHER	E-18-10-22	SPACER, CABLE CLAMP	FOP-8-2-18
ROD, ADJUSTING	F-10-14	SCREW-WASHER	E-18-10-20	SPACER, CABLE CLAMP	FOP-8-4-13
ROD, STEERING	F-10-21	SCREW-WASHER	E-19-10	SPACER, CABLE CLAMP	FOP-8-6-33
ROLLER, 3X12.8	F-5-25	SCREW-WASHER, 4X25	E-19-11	SPACER, CLICK SPRING	FOP-8-6-27
ROLLER, 3X12.8	F-5-1-27	SCREW-WASHER, 5X15	F-7-20-9	SPACER, NEUTRAL SWITCH	FOP-8-6-30
ROLLER, 5X8	E-5-28	SEAL A, COVER UNDER	F-8-20-11	SPACER, REMOTE CONTROL BOX	FOP-8-6-26
ROLLER, CLICK	FOP-8-6-64	SEAL A, VALVE STEM(ARAI)	E-9-20-4	SPRING COMP., CLICK	F-10-2
ROTOR ASSY.	E-19-16	SEAL A, VALVE STEM(NOK)	E-9-20-4	SPRING, ACCELERATOR WHEEL	FOP-8-6-21
ROTOR COMP.	E-21-5	SEAL B, COVER UNDER	F-8-20-12	SPRING, AIR FLOW TUBE	E-15-3
ROTOR, INNER OIL PUMP	E-5-8	SEAL B, VALVE STEM(ARAI)	E-9-20-5	SPRING, CHOKE RETURN	FOP-8-6-25
ROTOR, OUTER OIL PUMP	E-5-9	SEAL B, VALVE STEM(NOK)	E-9-20-5	SPRING, CLICK	F-2-9
RUBBER B, STAND STOPPER	F-8-20-23	SEAL, ENGINE COVER	F-8-2	SPRING, CLICK ASSIST	F-10-3

SPRING, COVER LOCK HOOK	F-8-10-14	TERMINAL, CABLE	FOP-8-4-12	WASHER, PIVOT	F-2-7
SPRING, COVER LOCK HOOK	F-8-10-15	THERMOSTAT ASSY.	E-9-10-3	WASHER, PIVOT	F-4-1
SPRING, EX. VALVE(GRAY)	E-9-23	THERMOSTAT ASSY.	E-9-10-4	WASHER, PLAIN	E-18-10-24
SPRING, FLUSH VALVE	F-9-15	THROTTLE BODY ASSY.	E-15-2	WASHER, PLAIN	E-18-10-25
SPRING, IN. VALVE(PINK)	E-9-22	TIE, CABLE	FOP-11-5	WASHER, PLAIN, 10MM	F-5-18
SPRING, LOCK ADJUSTER	F-8-5	TIE, CABLE(NATURAL)(2.4X92)	FOP-6-12	WASHER, PLAIN, 10MM	F-5-1-20
SPRING, LOCK LEVER RETURN	F-8-10-16	TIE, CABLE(NATURAL)(2.4X92)	FOP-8-6-37	WASHER, PLAIN, 10MM	F-8-10-26
SPRING, MOTOR	F-11-8	T-JOINT	E-18-15	WASHER, PLAIN, 10MM	F-10-43
SPRING, NEUTRAL LOCK ARM	FOP-8-4-7	T-JOINT	F-9-3	WASHER, PLAIN, 10MM	F-10-47
SPRING, RELIEF VALVE	E-5-6	TRIM METER ASSY	FOP-2-1	WASHER, PLAIN, 12MM	E-6-16
SPRING, REMOTE CONTROL HANDLE	FOP-8-6-7	TRIM METER ASSY	FOP-2-1	WASHER, PLAIN, 12MM	F-2-34
SPRING, SET	E-18-10-41	TRIM-TILT ASSY., POWER	F-11-11	WASHER, PLAIN, 12MM	F-3-20-15
SPRING, SHIFT	F-5-5	TRIM-TILT ASSY., POWER	F-11-11	WASHER, PLAIN, 12MM	F-4-22
SPRING, SHIFT	F-5-1-5	TRIM-TILT ASSY., POWER	F-11-11	WASHER, PLAIN, 12MM	F-8-11
SPRING, SHIFT CLICK	FOP-8-6-24	TRIM-TILT ASSY., POWER	F-11-11	WASHER, PLAIN, 12MM	F-10-44
SPRING, SHIFT ROD	F-4-10	TUBE A, WATER RELIEF	E-4-10-4	WASHER, PLAIN, 12MM	F-10-45
SPRING, SILENCER DUCT GROMMET	E-15-8	TUBE B, AIR VENT	E-18-3	WASHER, PLAIN, 12MM	F-10-46
SPRING, SUPPORT	E-7-20	TUBE B, FUEL	E-18-11	WASHER, PLAIN, 4MM	FOP-8-6-55
SPROCKET COMP., CHAIN DRIVE	E-7-12	TUBE B, WATER RELIEF	E-4-10-5	WASHER, PLAIN, 5MM	FOP-6-1-18
SPROCKET, CAM CHAIN DRIVEN	E-9-5	TUBE COMP. A, FUEL(FKM)	E-18-1-6	WASHER, PLAIN, 5MM	FOP-6-2-16
SPROCKET, CAM CHAIN DRIVEN IN	E-9-6	TUBE COMP. B, FUEL	E-18-7	WASHER, PLAIN, 5MM	FOP-6-3-16
SPROCKET, DRIVEN(17T)	E-10-4	TUBE COMP. C, AIR VENT	E-18-2	WASHER, PLAIN, 5MM	FOP-6-4-16
STAY A, PLATE	E-18-10-3	TUBE COMP. C, FUEL	E-18-1-7	WASHER, PLAIN, 5MM	FOP-8-31
STAY, A.C. GENERATOR	E-19-18	TUBE COMP. E, FUEL	E-18-1-9	WASHER, PLAIN, 5MM	FOP-8-33
STAY, FUEL STRAINER	E-18-1-14	TUBE COMP. E, WATER	E-4-10-7	WASHER, PLAIN, 5MM	FOP-8-2-36
STAY, PLATE	E-18-10-36	TUBE COMP, AIR VENT	E-18-4	WASHER, PLAIN, 5MM	FOP-8-2-38
STAY, POWER TILT SWITCH	F-8-20-3	TUBE COMP, WATER RELIEF	E-4-10-3	WASHER, PLAIN, 5MM	FOP-8-6-56
STAY, VAPOR SEPARATOR	E-18-10-37	TUBE D, FUEL	E-18-8	WASHER, PLAIN, 5MM	FOP-8-6-57
STOPPER SET, SLEEVE	E-21-8	TUBE D, FUEL	E-18-1-8	WASHER, PLAIN, 6MM	F-2-36
STOPPER SET, SLEEVE	E-21-8	TUBE F, FUEL	E-18-10-39	WASHER, PLAIN, 6MM	F-8-10
STOPPER(TOOL)	E-9-9	TUBE F, WATER	F-9-10	WASHER, PLAIN, 6MM	FOP-8-4-27
STOPPER, TILT	F-10-18	TUBE G, WATER	E-18-16	WASHER, PLAIN, 6MM	FOP-8-6-58
STRAINER ASSY., VTC	E-9-20-10	TUBE KIT, SPEED SENSOR	FOP-13-1	WASHER, PLAIN, 8MM	F-2-37
STRAINER COMP., FUEL	E-18-1-10	TUBE, 12X740	E-15-25	WASHER, PLAIN, 8MM	F-7-10-14
STRAINER COMP., OIL	E-6-4	TUBE, 5X140	F-3-22	WASHER, PLAIN, 8MM	F-8-10-25
STRAINER, FUEL	E-18-1-11	TUBE, 5X270	F-3-22	WASHER, PLAIN, 8MM	F-8-10-28
STRAINER, FUEL PUMP	E-18-9	TUBE, 5X950	FOP-13-13	WASHER, PLAIN, 8MM	FOP-8-6-60
SUB HARNESS ASSY., POWER TRIM-TILT(A)	FOP-8-19	TUBE, 7X120	E-4-10-14	WASHER, PROPELLER	F-5-16
SUB HARNESS ASSY., POWER TRIM-TILT(A)	FOP-8-2-20	TUBE, 7X160	F-9-38	WASHER, PROPELLER	F-5-1-17
SUB HARNESS ASSY., POWER TRIM-TILT(B)	FOP-8-2-21	TUBE, 7X200	F-9-39	WASHER, PROPELLER THRUST	F-5-14
SUB HARNESS ASSY., POWER TRIM-TILT(C)	FOP-8-4-16	TUBE, 7X40	F-9-37	WASHER, PROPELLER THRUST	F-5-1-15
SUSPENSION, AUDIBLE PILOT	FOP-6-2-10	TUBE, 7X75	E-4-10-12	WASHER, SEALING(22MM)	E-3-7
SUSPENSION, AUDIBLE PILOT	FOP-6-3-10	TUBE, 7X90	E-4-10-13	WASHER, SEALING, 28MM	E-3-31
SUSPENSION, AUDIBLE PILOT	FOP-6-4-10	TUBE, FUEL, 3.5X430	E-18-31	WASHER, SEALING, 6MM	E-18-10-49
SUSPENSION, STRAINER	E-18-10	TUBE, FUEL, 8X300	F-9-36	WASHER, SHIFT SHAFT	F-2-33
SUSPENSION, STRAINER	E-18-1-15	TUBE, OIL	E-4-10-1	WASHER, SPRING, 4MM	FOP-12-9
SWITCH ASSY., COMBINATION	FOP-6-1-7	TUBE, PRESSURE REGULATOR CONTROL	E-14-7	WASHER, SPRING, 5MM	FOP-6-1-19
SWITCH ASSY., COMBINATION	FOP-6-2-6	TUBE, SPEED SENSOR	FOP-13-6	WASHER, SPRING, 5MM	FOP-6-2-17
SWITCH ASSY., COMBINATION	FOP-6-3-6	TUBE, SPIRAL	F-11-3	WASHER, SPRING, 5MM	FOP-6-3-17
SWITCH ASSY., COMBINATION	FOP-6-4-6	TUBE, SPIRAL	FOP-13-4	WASHER, SPRING, 5MM	FOP-6-4-17
SWITCH ASSY., COMBINATION	FOP-8-6-38	TUBE, VINYL, 4X7X160	E-15-24	WASHER, THRUST	E-7-10
SWITCH ASSY., EMERGENCY STOP	FOP-6-1-8	TUBE, WATER RELIEF	F-9-9	WASHER, THRUST	E-9-17
SWITCH ASSY., EMERGENCY STOP	FOP-8-6-41	TUBE, WATER(L)	F-4-7	WASHER, THRUST BEARING	F-5-15
SWITCH ASSY., EMERGENCY STOP (TRIPLE)	FOP-6-4-7	TUBE, WATER(XL)	F-4-7	WASHER, THRUST BEARING	F-5-1-16
SWITCH ASSY., EMERGENCY STOP(SINGLE)	FOP-6-2-7	<V>		WASHER, THRUST, 34MM	F-10-41
SWITCH ASSY., EMERGENCY STOP(TWIN)	FOP-6-3-7	VALVE ASSY., ELECTRONIC AIR CONTROL	E-14-17	WASHER, WAVE, 10MM	F-8-10-27
SWITCH ASSY., MAGNET	E-21-12	VALVE ASSY., RELIEF	F-9-16	WASHER, WAVE, 26MM	F-10-40
SWITCH ASSY., MAGNET	E-21-12	VALVE COMP., MANUAL	F-11-23	WASHER, WAVE, 40MM	F-10-39
SWITCH ASSY., NEUTRAL	F-2-22	VALVE COMP., RESERVOIR	F-11-24	WASHER, WAVE, 8MM	F-8-10-30
SWITCH ASSY., POWER TILT	F-8-20-2	VALVE SET, FLOAT	E-18-10-1	WHEEL, ACCELERATOR	FOP-8-6-20
SWITCH ASSY., POWER TRIM-TILT	FOP-8-6-39	VALVE, CHECK	E-18-17	WHEEL, CONTROL	FOP-8-6-13
SWITCH ASSY., POWER TRIM-TILT (A)	FOP-8-20	VALVE, EX	E-9-19	WIRE, LEAD(1.5X116MM)	F-11-9
SWITCH ASSY., POWER TRIM-TILT (A)	FOP-8-2-22	VALVE, FLASH	F-9-17	WIRE, LEAD(1.5X137MM)	F-3-20-3
SWITCH ASSY., POWER TRIM-TILT (B)	FOP-8-2-23	VALVE, IN	E-9-18	WRENCH, EYE, 19MM	F-13-11
SWITCH ASSY., POWER TRIM-TILT (C)	FOP-8-4-17	VALVE, RELIEF	E-5-5	WRENCH, HEX., 6MM	F-13-6
SWITCH ASSY., TROLLING CONTROL	FOP-12-1	<W>		WRENCH, PLUG	F-13-5
<T>		WASHER	F-2-35	<Y>	
TAB, TRIM	F-3-8	WASHER KIT, THRUST(150)	E-7-21	YOKE ASSY.	F-11-7
TACHOMETER HOUR METER	FOP-2-2	WASHER, 10MM	F-10-42	YOKE COMP.	E-21-4
TACHOMETER HOUR METER	FOP-2-2	WASHER, 26MM	F-3-20-14		
TANK, OIL	F-11-27	WASHER, 28MM	FOP-8-6-61		
TENSIONER ASSY., CAM CHAIN	E-9-8	WASHER, 6MM	FOP-8-6-59		
TENSIONER COMP., BALANCER SHAFT CHAIN	E-10-6	WASHER, DRAIN PLUG, 12MM	E-6-17		
TERMINAL, CABLE	FOP-8-16	WASHER, DRAIN PLUG, 20MM	E-5-24		
TERMINAL, CABLE	FOP-8-2-17	WASHER, DRAIN PLUG, 20MM	E-9-20-24		
		WASHER, HEAD COVER	E-1-7		
		WASHER, LOCK, 5MM	FOP-8-30		
		WASHER, LOCK, 5MM	FOP-8-2-35		
		WASHER, LOCK, 5MM	FOP-8-4-26		
		WASHER, LOCK, 6MM	FOP-8-32		
		WASHER, LOCK, 6MM	FOP-8-2-37		

HZV1-87538-C23F-12-8	HZV5-90304-013F-10-34	HZW1-90102-000F-10-26	HZW5-24818-U01FOP-8-11
HZV1-90127-010E-15-20	HZV5-90307-003F-10-38	HZW1-90105-000F-10-27	HZW5-24818-U01FOP-8-2-12
HZV3-90601-030E-15-21	HZV5-90501-000F-10-39	HZW1-90106-004E-21-19	HZW5-24819-U01FOP-8-12
HZV4-24221-010F-10-3	HZV5-90502-000F-10-40	HZW1-90107-004E-21-20	HZW5-24819-U01FOP-8-2-13
HZV4-36182-651FOP-6-1-9	HZV5-90504-000F-10-41	HZW1-90108-000F-10-29	HZW5-24820-U01FOP-8-13
HZV4-36182-651FOP-8-6-42	HZV5-90552-000F-10-44	HZW1-90113-702F-11-29	HZW5-24820-U21FOP-8-2-14
HZV4-36187-652FOP-6-1-10	HZV5-90557-000FOP-8-6-61	HZW1-90114-702F-11-30	HZW5-24825-U01FOP-8-14
HZV4-36187-652FOP-8-6-43	HZV5-90559-000E-6-16	HZW1-90115-702F-11-31	HZW5-24825-U01FOP-8-2-15
HZV4-90302-000F-3-17	HZV5-90559-000F-10-45	HZW1-90116-702F-11-32	HZW5-24826-U01FOP-8-15
HZV4-90304-000FOP-8-6-54	HZV5-90559-000F-10-46	HZW1-90203-000F-7-10-13	HZW5-24826-U01FOP-8-2-16
HZV4-90502-000FOP-8-31	HZV5-90563-000F-5-18	HZW1-90242-000F-4-20	HZW5-24826-U01FOP-8-4-10
HZV4-90502-000FOP-8-2-36	HZV5-90563-000F-5-1-20	HZW1-90301-800F-5-13	HZW5-24831-U01FOP-8-16
HZV4-90502-000FOP-8-6-57	HZV5-90563-000F-10-47	HZW1-90301-800F-5-1-14	HZW5-24831-U01FOP-8-2-17
HZV4-90512-000F-2-36	HZV5-90651-000F-10-48	HZW1-90304-013F-10-35	HZW5-24831-U01FOP-8-4-12
HZV4-90514-000F-10-42	HZV5-90751-000FOP-8-6-62	HZW1-90501-710F-3-20-14	HZW5-24832-U01FOP-8-17
HZV5-12155-000E-4-1	HZV5-90756-000F-3-18	HZW1-90518-800F-4-23	HZW5-24832-U01FOP-8-2-18
HZV5-12214-000E-3-7	HZV5-90756-000F-3-20-17	HZW1-90519-800F-4-23	HZW5-24832-U01FOP-8-4-13
HZV5-16881-000E-18-8	HZV5-90756-000F-4-25	HZW1-90520-800F-4-23	HZW5-24834-U01FOP-8-18
HZV5-17202-310F-9-4	HZV5-90772-000FOP-8-6-63	HZW1-90521-800F-4-23	HZW5-24834-U21FOP-8-2-19
HZV5-17838-000F-2-1	HZV5-91151-000FOP-8-6-64	HZW1-90559-000F-3-20-15	HZW5-31217-003E-21-5
HZV5-24811-010FOP-8-6-2	HZV5-91203-821F-11-35	HZW1-90651-710F-3-20-16	HZW5-31631-003E-19-16
HZV5-24812-000FOP-8-6-3	HZV5-91256-003F-10-51	HZW1-90652-702F-11-34	HZW5-31639-003E-19-19
HZV5-24813-000FOP-8-6-4	HZV5-91302-821F-11-37	HZW1-90752-802F-4-24	HZW5-31644-003E-19-20
HZV5-24814-010FOP-8-6-5	HZV5-91316-821F-11-38	HZW1-90752-802FOP-10-4	HZW5-31710-003E-19-21
HZV5-24815-010FOP-8-6-6	HZV5-91352-000F-10-52	HZW1-90752-802FOP-10-1-9	HZW5-32168-003E-18-10-43
HZV5-24816-000FOP-8-6-7	HZV5-91553-010E-13-8	HZW1-90758-800F-5-19	HZW5-35370-U02FOP-8-20
HZV5-24817-000FOP-8-6-8	HZV5-91553-010E-15-22	HZW1-90758-800F-5-1-21	HZW5-35370-U02FOP-8-2-22
HZV5-24818-003FOP-8-6-9	HZV5-91553-010E-20-10-6	HZW1-91054-831F-4-27	HZW5-35370-U12FOP-8-2-23
HZV5-24820-000FOP-8-6-10	HZV5-91553-010F-7-10-17	HZW1-91101-003E-5-25	HZW5-35673-003E-9-10-11
HZV5-24830-010FOP-8-6-11	HZV5-91560-000F-10-53	HZW1-91101-003F-5-1-27	HZW5-50151-000F-10-6
HZV5-24836-000FOP-8-6-12	HZV5-91567-000FOP-8-6-66	HZW1-91207-013F-11-36	HZW5-50155-000F-3-20-5
HZV5-24841-000FOP-8-6-13	HZV5-91570-000FOP-8-6-67	HZW1-91352-702F-11-39	HZW5-50341-010F-10-14
HZV5-24845-000FOP-8-6-14	HZV7-90508-000F-2-35	HZW1-91353-703F-11-40	HZW5-53234-010F-10-20
HZV5-24850-000FOP-8-6-15	HZV7-90951-010F-10-50	HZW1-91354-701F-11-41	HZW5-90002-013E-5-14
HZV5-24854-000FOP-8-6-16	HZW1-06411-020F-10-1	HZW1-91355-701F-11-42	HZW5-90011-010E-19-23
HZV5-24855-000FOP-8-6-17	HZW1-12217-010E-5-1	HZW1-91356-800F-4-32	HZW5-90018-000E-5-18
HZV5-24860-000FOP-8-6-18	HZW1-15665-020F-9-1	HZW1-91356-800FOP-10-5	HZW5-90018-000E-9-20-19
HZV5-24865-000FOP-8-6-19	HZW1-19210-804F-4-2	HZW1-91356-800FOP-10-11-10	HZW5-90018-000E-20-10-5
HZV5-24875-000FOP-8-6-20	HZW1-19210-804FOP-10-2	HZW1-91357-701F-11-43	HZW5-90018-000F-7-20-8
HZV5-24876-000FOP-8-6-21	HZW1-19210-804FOP-10-1-2	HZW1-91358-701F-11-44	HZW5-90021-U00FOP-9-2
HZV5-24878-000FOP-8-6-22	HZW1-19223-800F-4-4	HZW1-91361-701F-11-45	HZW5-90101-000F-10-25
HZV5-24881-000FOP-8-6-23	HZW1-19223-800FOP-10-1-4	HZW1-91554-000E-14-35	HZW5-90101-U00FOP-8-22
HZV5-24883-000FOP-8-6-24	HZW1-19252-000E-6-6	HZW1-91554-000E-18-28	HZW5-90101-U00FOP-8-2-25
HZV5-24884-000FOP-8-6-25	HZW1-19253-B01F-4-8	HZW1-91554-000E-18-10-52	HZW5-90101-U00FOP-8-4-20
HZV5-24885-000FOP-8-6-26	HZW1-19253-B01FOP-10-1-7	HZW1-91557-701F-11-46	HZW5-90102-U00FOP-8-23
HZV5-24887-000FOP-8-6-27	HZW1-19286-800F-3-1	HZW2-90003-000E-20-10-4	HZW5-90102-U00FOP-8-2-26
HZV5-24891-000FOP-8-6-28	HZW1-24102-800F-5-2	HZW2-90301-F00E-14-29	HZW5-90103-U01FOP-8-24
HZV5-24892-000FOP-8-6-29	HZW1-24102-800F-5-1-2	HZW4-90108-000FOP-8-6-51	HZW5-90103-U01FOP-8-2-27
HZV5-24894-000FOP-8-6-30	HZW1-24103-800F-5-3	HZW4-90126-000E-14-26	HZW5-90104-U00FOP-8-25
HZV5-24895-000FOP-8-6-31	HZW1-24103-800F-5-1-3	HZW4-90151-000E-14-27	HZW5-90104-U00FOP-8-2-28
HZV5-24897-000FOP-8-6-32	HZW1-24327-000F-2-11	HZW4-90156-000E-3-28	HZW5-90105-U01FOP-8-26
HZV5-24898-000FOP-8-6-33	HZW1-31229-004E-21-8	HZW4-90162-000E-3-29	HZW5-90105-U01FOP-8-2-29
HZV5-32823-003FOP-6-1-5	HZW1-31247-004E-21-15	HZW4-90162-000E-9-10-21	HZW5-90106-U00FOP-8-27
HZV5-32823-003FOP-6-2-4	HZW1-31249-004E-21-16	HZW4-90163-000E-19-28	HZW5-90106-U00FOP-8-2-30
HZV5-32823-003FOP-6-3-4	HZW1-31250-004E-21-17	HZW4-90164-000E-21-21	HZW5-90107-U00FOP-8-28
HZV5-32823-003FOP-6-4-4	HZW1-31261-004E-21-18	HZW4-90170-000E-4-11	HZW5-90107-U00FOP-8-2-31
HZV5-32823-003FOP-8-6-35	HZW1-38551-000F-7-10-8	HZW4-90306-003F-10-37	HZW5-90108-U00FOP-8-2-32
HZV5-32823-003FOP-11-3	HZW1-40107-700F-8-10-3	HZW4-90401-000FOP-8-6-55	HZW5-90109-000FOP-6-1-15
HZV5-32824-003FOP-6-1-6	HZW1-40204-000F-4-12	HZW4-90402-000FOP-8-6-56	HZW5-90109-000FOP-6-2-13
HZV5-32824-003FOP-6-2-5	HZW1-40210-710F-3-20-2	HZW4-91301-003F-3-19	HZW5-90109-000FOP-6-3-13
HZV5-32824-003FOP-6-3-5	HZW1-41102-800F-3-4	HZW5-06241-U00FOP-8-2	HZW5-90109-000FOP-6-4-13
HZV5-32824-003FOP-6-4-5	HZW1-41109-800F-3-9	HZW5-06241-U10FOP-8-2-2	HZW5-90203-010E-19-29
HZV5-32824-003FOP-8-6-36	HZW1-41116-800F-4-14	HZW5-06900-U00FOP-9-1	HZW5-90301-U00FOP-8-29
HZV5-32824-003FOP-11-4	HZW1-50111-010ZCF-3-20-4	HZW5-15113-000E-6-3	HZW5-90301-U00FOP-8-2-33
HZV5-35370-823FOP-8-6-39	HZW1-50156-010F-3-20-6	HZW5-15331-003E-5-8	HZW5-90302-003F-3-20-13
HZV5-36104-821F-11-3	HZW1-50161-020ZCF-3-20-7	HZW5-15341-003E-5-9	HZW5-90302-003F-10-33
HZV5-36136-821F-11-8	HZW1-50201-040ZCF-10-9	HZW5-16081-010E-18-10-20	HZW5-90302-U21FOP-8-2-34
HZV5-36180-033FOP-6-1-8	HZW1-50214-000F-10-11	HZW5-16086-000E-18-10-23	HZW5-90303-000F-4-21
HZV5-36180-033FOP-8-6-41	HZW1-50301-070ZCF-10-12	HZW5-16087-000E-18-10-24	HZW5-90304-000F-10-36
HZV5-38410-003FOP-6-1-13	HZW1-50311-070ZCF-10-13	HZW5-16708-003E-18-10-28	HZW5-90501-000F-2-33
HZV5-38410-003FOP-8-6-46	HZW1-50527-000F-10-17	HZW5-16715-023E-18-10-29	HZW5-90501-U00FOP-8-30
HZV5-40102-000E-13-4	HZW1-50529-000F-10-18	HZW5-16733-000E-18-10-34	HZW5-90501-U00FOP-8-2-35
HZV5-40102-000E-15-15	HZW1-53234-010F-10-19	HZW5-16915-000E-18-10	HZW5-90501-U00FOP-8-4-26
HZV5-41171-000F-3-10	HZW1-53238-010F-10-21	HZW5-24810-U01FOP-8-3	HZW5-90502-U00FOP-8-32
HZV5-41171-000FOP-13-5	HZW1-56110-701F-11-13	HZW5-24810-U01FOP-8-2-3	HZW5-90502-U00FOP-8-2-37
HZV5-41172-000F-3-11	HZW1-56113-701F-11-14	HZW5-24810-U11FOP-8-2-4	HZW5-90503-U00FOP-8-33
HZV5-50214-003F-11-10	HZW1-56116-701F-11-17	HZW5-24811-U01FOP-8-4	HZW5-90503-U00FOP-8-2-38
HZV5-50522-000F-10-16	HZW1-56130-702F-11-22	HZW5-24811-U01FOP-8-2-5	HZW5-90509-711F-5-15
HZV5-56117-821F-11-18	HZW1-56180-701F-11-24	HZW5-24812-U01FOP-8-5	HZW5-90509-711F-5-1-16
HZV5-56118-820F-11-19	HZW1-56516-000F-10-22	HZW5-24812-U01FOP-8-2-6	HZW5-90511-U00FOP-9-3
HZV5-56513-000F-11-25	HZW1-56532-000F-11-26	HZW5-24813-U01FOP-8-6	HZW5-90512-U00FOP-9-4
HZV5-90081-010E-3-26	HZW1-56532-000F-11-26	HZW5-24813-U01FOP-8-2-7	HZW5-90548-710F-5-1-19
HZV5-90081-010E-5-19	HZW1-56539-000F-10-23	HZW5-24813-U21FOP-8-2-8	HZW5-90549-710F-5-1-19
HZV5-90119-000F-3-20-12	HZW1-56851-703F-11-27	HZW5-24814-U01FOP-8-7	HZW5-90550-710F-5-1-19
HZV5-90119-000F-11-33	HZW1-56860-701F-11-28	HZW5-24814-U01FOP-8-2-9	HZW5-90551-710F-5-1-19
HZV5-90119-000FOP-13-9	HZW1-87538-721F-12-8	HZW5-24815-U01FOP-8-8	HZW5-90601-030E-18-22
HZV5-90125-000FOP-8-6-52	HZW1-90013-000E-13-5	HZW5-24816-U01FOP-8-9	HZW5-91056-003F-5-24
HZV5-90127-003F-8-20-15	HZW1-90013-000E-15-17	HZW5-24816-U01FOP-8-2-10	HZW5-91056-003F-5-1-26
HZV5-90127-003FOP-13-10	HZW1-90014-000E-14-20	HZW5-24816-U01FOP-8-4-8	HZW5-91201-003E-5-20
HZV5-90131-000E-6-15	HZW1-90014-000E-18-20	HZW5-24817-U01FOP-8-10	HZW5-91202-003F-9-33
HZV5-90302-003F-2-32	HZW1-90014-000E-18-10-45	HZW5-24817-U01FOP-8-2-11	HZW5-91251-003F-2-44

HZW7-24810-U01 FOP-8-4-2
HZW7-24811-U01 FOP-8-4-3
HZW7-24812-U01 FOP-8-4-4
HZW7-24813-U01 FOP-8-4-5
HZW7-24814-U01 FOP-8-4-6
HZW7-24815-U01 FOP-8-4-7
HZW7-24817-U01 FOP-8-4-9
HZW7-24830-U01 FOP-8-4-11
HZW7-24832-U01 FOP-8-4-14
HZW7-24833-U01 FOP-8-4-15
HZW7-32530-U00 FOP-8-19
HZW7-32530-U00 FOP-8-2-20
HZW7-32530-U10 FOP-8-2-21
HZW7-32530-U20 FOP-8-4-16
HZW7-35370-U02 FOP-8-4-17
HZW7-87701-U01 FOP-8-4-18
HZW7-87703-U01 FOP-8-4-19
HZW7-90101-U01 FOP-8-4-21
HZW7-90102-U01 FOP-8-4-22
HZW7-90103-U01 FOP-8-4-23
HZW7-90104-U01 FOP-8-4-24
HZW7-90301-U01 FOP-8-4-25
HZW7-90502-U00 FOP-8-4-27
HZW9-19279-000 F-9-15
HZW9-19291-000 F-9-17
HZW9-19297-000 F-9-19
HZW9-19303-003 E-9-10-29
HZW9-19317-000 F-9-20
HZW9-32114-730 E-3-14
HZW9-87702-800 FOP-8-6-48
HZW9-90008-000 FOP-8-6-49
HZW9-90009-000 F-10-24
HZW9-90011-000 E-3-22
HZW9-90011-000 E-9-10-14
HZW9-90011-000 F-7-10-9
HZW9-90013-000 F-7-3
HZW9-90013-000 F-7-10-10
HZW9-90013-000 F-7-20-7
HZW9-90016-000 E-3-23
HZW9-90016-000 E-5-17
HZW9-90016-000 E-18-21
HZW9-90016-000 E-18-10-46
HZW9-90016-000 F-9-24
HZW9-90101-003 F-3-12
HZW9-90102-000 E-6-14
HZW9-90102-000 F-2-30
HZW9-90103-010 F-3-20-9
HZW9-90105-000 F-2-31
HZW9-90105-000 F-4-18
HZW9-90105-000 F-10-28
HZW9-90154-000 F-10-32
HZW9-90506-000 F-8-10-27
HZX1-17110-003 E-14-14
HZX1-32100-020 F-7-1
HZX1-34750-023 E-20-10-3
HZX1-50100-000 F-10-5
HZX1-63100-R00ZA F-8-1
HZX1-63100-R00ZA F-8-1
HZX1-63100-R01ZA F-8-1
HZX1-63100-R02ZA F-8-1
HZX1-63100-R02ZA F-8-1
HZX1-87121-R00 F-12-2
HZX1-87121-R01 F-12-2
HZX1-87132-R00 F-12-3
HZX1-87133-R00 F-12-10
HZX1-87301-R00 F-12-4
HZX1-90101-R00 F-8-7
HZX2-30280-003 F-11-1
HZX2-30280-003 F-11-1
HZX2-31106-003 F-11-2
HZX2-31106-003 F-11-2
HZX2-36122-003 F-11-5
HZX2-36122-003 F-11-5
HZX2-41102-E00ZC F-3-5
HZX2-41107-C00ZC F-3-8
HZX2-63260-C00 F-8-10-20
HZX2-63260-C00 F-8-10-20
HZX2-90129-000 F-10-31
HZX2-90502-003 F-8-10-30
HZX2-90506-C00 F-5-14
HZX2-90512-C00 F-5-16
HZY1-90205-000 F-3-16
HZY1-90650-003 FOP-11-5
HZY3-06177-U02 FOP-1-1
HZY3-13391-000 E-7-18
HZY3-13391-010 E-7-18
HZY3-13398-003 E-7-20
HZY3-16011-000 E-18-10-1
HZY3-16013-000 E-18-10-2
HZY3-16024-000 E-18-10-7
HZY3-16026-000 E-18-10-8
HZY3-16041-000 E-18-10-10
HZY3-16042-000 E-18-10-11
HZY3-16061-000 E-18-10-12
HZY3-16072-000 E-18-10-13
HZY3-16073-000 E-18-10-14
HZY3-16074-000 E-18-10-15
HZY3-16075-000 E-18-10-16
HZY3-16076-000 E-18-10-17
HZY3-16077-000 E-18-10-18
HZY3-16078-000 E-18-10-19
HZY3-16082-000 E-18-10-21
HZY3-16083-000 E-18-10-22
HZY3-16087-000 E-18-10-25
HZY3-16088-000 E-18-10-26
HZY3-16721-000 E-18-10-31
HZY3-16733-000 E-18-10-35
HZY3-16752-000 E-14-8
HZY3-16752-000 E-18-10-38
HZY3-16807-003 E-18-1-4
HZY3-16818-003 E-18-1-5
HZY3-16900-003 E-18-1-10
HZY3-16901-003 E-18-1-11
HZY3-16904-003 E-18-1-12
HZY3-16911-010 E-18-10-79
HZY3-16912-003 E-18-1-13
HZY3-16913-003 E-18-10-41
HZY3-16915-010 E-18-1-15
HZY3-16918-003 E-18-1-16
HZY3-16919-003 E-18-1-17
HZY3-17748-U01 FOP-1-2
HZY3-17749-U01 FOP-1-3
HZY3-19270-000 F-9-11
HZY3-19271-000 F-9-12
HZY3-19272-000 F-9-13
HZY3-19300-023 E-9-10-3
HZY3-23173-010 F-9-22
HZY3-24318-000 F-4-10
HZY3-24618-000 F-2-15
HZY3-24619-000 F-2-17
HZY3-30280-003 F-11-1
HZY3-30280-003 F-11-1
HZY3-31106-003 F-11-2
HZY3-31106-003 F-11-2
HZY3-31116-000 E-5-13
HZY3-31207-003 E-21-2
HZY3-31246-003 E-21-14
HZY3-32128-000 E-15-10
HZY3-32411-003 F-7-10-3
HZY3-35470-023 F-2-22
HZY3-35645-000 F-8-20-3
HZY3-35673-003 E-3-16
HZY3-35673-003 E-4-7
HZY3-35673-003 E-9-10-12
HZY3-36122-013 F-11-5
HZY3-36122-013 F-11-5
HZY3-36123-013 F-11-6
HZY3-40119-003 F-8-10-4
HZY3-40219-023 F-11-9
HZY3-50388-U00 FOP-7-1
HZY3-50388-U10 FOP-7-2
HZY3-56170-013 F-11-23
HZY3-58130-T00 F-5-11
HZY3-58130-T10 F-5-11
HZY3-58130-T20 F-5-11
HZY3-58130-T30 F-5-11
HZY3-58130-T40 F-5-11
HZY3-58130-T50 F-5-11
HZY3-58130-V01ZA F-5-11
HZY3-58130-V11ZA F-5-11
HZY3-58130-V21ZA F-5-11
HZY3-58130-V31ZA F-5-11
HZY3-58130-V41ZA F-5-11
HZY3-58130-V51ZA F-5-11
HZY3-58180-T00 F-5-1-12
HZY3-58180-T10 F-5-1-12
HZY3-58180-T20 F-5-1-12
HZY3-58180-T30 F-5-1-12
HZY3-58180-T40 F-5-1-12
HZY3-63107-000 F-8-3
HZY3-63107-000 F-8-3
HZY3-63107-010 F-8-3
HZY3-63107-010 F-8-3
HZY3-63108-000 F-8-4
HZY3-63119-000 F-8-5
HZY3-63201-000ZC F-8-10-10
HZY3-63205-000 F-2-25
HZY3-63205-000 F-8-10-11
HZY3-63208-000 F-8-10-13
HZY3-63212-000 F-8-10-14
HZY3-63224-000 F-8-10-17
HZY3-63260-000 F-8-10-20
HZY3-63260-000 F-8-10-20
HZY3-63260-000 F-8-10-20
HZY3-90016-000 E-9-10-15
HZY3-90017-000 E-9-10-16
HZY3-90017-000 E-9-20-18
HZY3-90017-000 E-18-10-47
HZY3-90017-000 E-19-24
HZY3-90017-000 F-2-27
HZY3-90017-000 F-9-25
HZY3-90021-000 E-4-9
HZY3-90021-000 E-9-10-17
HZY3-90021-000 E-9-20-20
HZY3-90021-000 E-14-21
HZY3-90021-000 E-18-1-19
HZY3-90021-000 F-2-28
HZY3-90026-000 E-3-24
HZY3-90026-000 E-19-25
HZY3-90028-000 F-2-29
HZY3-90030-000 E-4-10
HZY3-90030-000 F-7-10-11
HZY3-90030-000 F-8-10-23
HZY3-90030-000 F-9-26
HZY3-90035-000 E-19-26
HZY3-90040-000 E-9-10-19
HZY3-90042-000 E-14-22
HZY3-90046-000 E-6-13
HZY3-90049-000 E-18-10-48
HZY3-90054-000 E-3-25
HZY3-90054-000 E-14-25
HZY3-90055-000 E-19-27
HZY3-90056-000 E-15-19
HZY3-90056-000 F-9-28
HZY3-90084-000 E-1-5
HZY3-90084-000 E-20-3
HZY3-90107-000 F-7-10-12
HZY3-90109-010 F-8-8
HZY3-90111-000 F-8-20-14
HZY3-90200-000 F-3-14
HZY3-90133-000 F-8-9
HZY3-90204-000 E-3-30
HZY3-90205-000 E-14-28
HZY3-90304-000 F-7-4
HZY3-90405-000 F-7-10-14
HZY3-90506-000 F-5-1-15
HZY3-90507-000 F-2-34
HZY3-90507-000 F-8-11
HZY3-90512-000 F-5-1-17
HZY3-90528-000 F-5-17
HZY3-90528-000 F-5-1-18
HZY3-90529-000 F-5-17
HZY3-90529-000 F-5-1-18
HZY3-90530-000 F-5-17
HZY3-90530-000 F-5-1-18
HZY3-90531-000 F-5-17
HZY3-90531-000 F-5-1-18
HZY3-90601-030 E-4-10-8
HZY3-90601-030 F-9-29
HZY3-90602-020 E-4-10-9
HZY3-90653-003 F-7-5
HZY3-90751-000 F-2-38
HZY3-91001-003 F-2-42
HZY3-91152-003 F-2-43
HZY3-91254-003 F-4-30
HZY3-91255-003 F-2-45
HZY3-91303-000 E-21-22
HZY3-91351-003 F-5-27
HZY3-91351-003 F-5-1-29
HZY3-91556-000 F-8-12
HZY5-14110-000 E-9-1
HZY6-04104-010 E-9-10-30
HZY6-04105-000 E-7-21
HZY6-06122-010ZA E-9-20-1
HZY6-06191-010 E-9-10-5
HZY6-06192-000 FOP-10-1
HZY6-06193-A01 FOP-10-1-1
HZY6-06323-R00 FOP-6-2-1
HZY6-06323-R10 FOP-6-3-1
HZY6-06323-R20 FOP-6-4-1
HZY6-06411-000 FOP-13-1
HZY6-06631-000 F-8-15
HZY6-11100-405 E-3-1
HZY6-11321-010ZB E-6-1
HZY6-11381-010 E-6-2
HZY6-11410-445ZA E-9-10-1
HZY6-11412-000 E-9-10-2
HZY6-11911-000 E-3-5
HZY6-11912-000 E-19-1
HZY6-12000-415ZA E-3-6
HZY6-12251-003 E-9-20-6
HZY6-12310-010ZA E-1-1
HZY6-12500-000 E-1-4
HZY6-13010-000 E-7-1
HZY6-13101-000 E-7-2
HZY6-13102-000 E-7-2
HZY6-13211-004 E-7-7
HZY6-13212-004 E-7-7
HZY6-13213-004 E-7-7
HZY6-13214-004 E-7-7
HZY6-13215-004 E-7-7
HZY6-13216-004 E-7-7
HZY6-13217-004 E-7-7
HZY6-13310-010 E-7-8
HZY6-13331-023 E-7-10
HZY6-13392-000 E-7-19
HZY6-13400-000 E-10-1
HZY6-13811-000 E-7-14
HZY6-14120-000 E-9-4
HZY6-14311-000 E-9-6
HZY6-14510-003 E-9-8
HZY6-14751-003 E-9-22
HZY6-15100-000ZA E-5-2
HZY6-15112-000 E-5-3
HZY6-15121-000 E-5-4
HZY6-15152-000 E-3-8
HZY6-15220-010 E-6-4
HZY6-15299-000 E-3-11
HZY6-15410-010ZA E-5-11
HZY6-15425-010 E-4-10-1
HZY6-15655-000 E-6-5
HZY6-15834-000 E-9-20-9
HZY6-15840-000ZA E-9-20-10
HZY6-16014-003 E-18-10-3
HZY6-16016-003 E-15-1
HZY6-16017-043 E-18-10-4
HZY6-16019-003 E-18-10-5
HZY6-16020-023 E-18-10-6
HZY6-16036-003 E-18-10-9
HZY6-16089-000 E-14-1
HZY6-16196-000 E-18-2
HZY6-16198-000 E-18-3
HZY6-16199-000 E-18-4
HZY6-16400-013 E-15-2
HZY6-16450-003 E-14-2
HZY6-16451-000 E-14-3
HZY6-16621-000 E-14-4
HZY6-16700-013 E-18-5
HZY6-16701-003 E-18-10-27
HZY6-16718-013 E-18-10-30
HZY6-16723-003 E-18-10-32
HZY6-16730-063 E-18-10-33
HZY6-16734-003 E-18-10-36
HZY6-16736-003 E-18-10-37
HZY6-16740-003 E-14-5
HZY6-16744-010 E-14-6
HZY6-16748-000 E-14-7
HZY6-16752-000 E-14-9
HZY6-16755-003 E-18-6
HZY6-16800-003 E-18-1-2
HZY6-16805-003 E-18-1-3
HZY6-16840-A00 E-18-10-39
HZY6-16850-A01 E-18-1-6
HZY6-16860-A00 E-18-7
HZY6-16871-A00 E-18-1-7
HZY6-16881-A00 E-18-1-8
HZY6-16890-A00 E-18-1-9
HZY6-16914-010 E-18-1-14
HZY6-17051-000ZA E-14-10
HZY6-17105-000 E-14-12
HZY6-17109-000 E-14-13
HZY6-17371-020 E-15-5
HZY6-17374-000 E-15-6
HZY6-17397-013 E-15-7
HZY6-17398-000 E-15-8
HZY6-17431-000 E-13-1
HZY6-17432-000 E-13-2
HZY6-17723-020 E-18-14
HZY6-17840-000 F-2-2
HZY6-17845-000 F-2-3
HZY6-17860-000 F-2-4
HZY6-17877-010 F-2-5
HZY6-17931-000 F-2-6
HZY6-18110-415ZA E-4-2
HZY6-18112-030ZA E-4-3
HZY6-18115-000 E-4-4
HZY6-18130-000ZA F-9-5
HZY6-18135-003 F-9-6
HZY6-18211-000 F-9-7
HZY6-18212-000 F-9-8
HZY6-19221-A00 F-4-3
HZY6-19221-A00 FOP-10-1-3
HZY6-19231-000 F-4-5
HZY6-19231-000 FOP-10-1-5
HZY6-19234-000 F-4-6

HZY6-19234-000. FOP-10-3
HZY6-19234-000. FOP-10-1-6
HZY6-19251-000. F-4-7
HZY6-19251-611. F-4-7
HZY6-19254-000. E-6-7
HZY6-19256-000. F-9-9
HZY6-19260-020. E-4-10-3
HZY6-19261-010. E-4-10-4
HZY6-19262-010. E-4-10-5
HZY6-19263-000. E-4-10-6
HZY6-19266-000. E-4-10-7
HZY6-19267-010. F-9-10
HZY6-19268-000. E-4-5
HZY6-19269-000. E-18-15
HZY6-19273-000. E-18-16
HZY6-19289-000. F-8-20-1
HZY6-19290-003. F-9-16
HZY6-19295-000. F-9-18
HZY6-19300-003. E-9-10-4
HZY6-19315-010. E-9-10-6
HZY6-19318-010. E-9-10-7
HZY6-23170-000ZA. F-9-21
HZY6-23172-000. E-6-8
HZY6-24101-000. F-5-1
HZY6-24101-000. F-5-1-1
HZY6-24122-000. F-5-4
HZY6-24122-000. F-5-1-4
HZY6-24123-000. F-5-5
HZY6-24123-000. F-5-1-5
HZY6-24124-000. F-5-6
HZY6-24124-000. F-5-1-6
HZY6-24166-000. F-2-8
HZY6-24218-000. F-2-9
HZY6-24310-000. F-4-9
HZY6-24310-710. F-4-9
HZY6-24320-000. F-2-10
HZY6-24320-610. F-2-10
HZY6-24343-000. F-4-11
HZY6-24343-000. F-4-11
HZY6-24343-010. F-4-11
HZY6-24343-010. F-4-11
HZY6-24610-000. F-2-12
HZY6-24612-020. F-2-13
HZY6-24614-000. F-2-14
HZY6-24618-000. F-2-16
HZY6-24620-000. F-2-18
HZY6-24628-000. F-2-19
HZY6-24629-000ZA. F-2-20
HZY6-30410-000. E-20-10-1
HZY6-30530-003. E-3-13
HZY6-31110-000ZA. E-5-12
HZY6-31200-003. E-21-1
HZY6-31216-003. E-21-4
HZY6-31226-003. E-21-7
HZY6-31227-003. E-21-7
HZY6-31231-003. E-21-9
HZY6-31232-003. E-21-9
HZY6-31235-003. E-21-10
HZY6-31236-003. E-21-11
HZY6-31240-003. E-21-12
HZY6-31242-003. E-21-13
HZY6-31630-003. E-19-15
HZY6-31630-013. E-19-15
HZY6-31636-010. E-19-17
HZY6-31637-000. E-19-18
HZY6-31638-003. E-13-3
HZY6-31750-003. E-19-22
HZY6-32101-000. F-7-10-1
HZY6-32105-305. E-9-10-31
HZY6-32106-305. E-9-10-32
HZY6-32107-305. E-9-10-33
HZY6-32111-000. E-14-15
HZY6-32112-000. E-9-10-9
HZY6-32113-000. E-9-10-10
HZY6-32114-010. E-3-15
HZY6-32115-000. E-15-9
HZY6-32116-000. E-9-20-12
HZY6-32166-003. E-18-10-42
HZY6-32340-R01. FOP-6-2-19
HZY6-32340-R11. FOP-6-3-19
HZY6-32340-R21. FOP-6-4-19
HZY6-32346-R01. FOP-6-2-2
HZY6-32346-R11. FOP-6-3-2
HZY6-32346-R21. FOP-6-4-2
HZY6-32370-004. F-7-20-1
HZY6-32371-004. F-7-20-2
HZY6-32410-020. F-7-10-2
HZY6-32414-300. F-7-2
HZY6-32414-300. F-7-10-4
HZY6-32414-640. F-7-10-5
HZY6-32418-000. F-2-21
HZY6-32419-000. F-7-10-6
HZY6-32545-003. FOP-6-2-3
HZY6-32545-003. FOP-6-3-3
HZY6-32545-003. FOP-6-4-3
HZY6-32606-000. FOP-6-2-18
HZY6-32606-000. FOP-6-3-18
HZY6-32606-000. FOP-6-4-18
HZY6-35100-R01. FOP-6-2-6
HZY6-35100-R01. FOP-6-3-6
HZY6-35100-R01. FOP-6-4-6
HZY6-35475-000. F-2-23
HZY6-35640-003. F-8-20-2
HZY6-35660-013. F-10-4
HZY6-35668-003. E-4-6
HZY6-36104-003. FOP-13-4
HZY6-36120-013. F-11-4
HZY6-36120-013. F-11-4
HZY6-36120-023. F-11-4
HZY6-36120-023. F-11-4
HZY6-36129-013. F-11-7
HZY6-36135-003. E-18-17
HZY6-36180-003. FOP-6-2-7
HZY6-36180-612. FOP-6-4-7
HZY6-36180-712. FOP-6-3-7
HZY6-36182-003. FOP-6-2-8
HZY6-36182-003. FOP-6-3-8
HZY6-36182-003. FOP-6-4-8
HZY6-36187-003. FOP-6-2-9
HZY6-36187-003. FOP-6-3-9
HZY6-36187-003. FOP-6-4-9
HZY6-36550-003. E-14-17
HZY6-36551-003. E-14-18
HZY6-37521-000. E-9-20-14
HZY6-38228-003. F-7-20-3
HZY6-38235-004. F-7-20-4
HZY6-38414-003. FOP-6-2-12
HZY6-38414-003. FOP-6-3-12
HZY6-38414-003. FOP-6-4-12
HZY6-38550-003. F-7-10-7
HZY6-38552-000. E-3-18
HZY6-39794-003. F-7-20-6
HZY6-40105-020. F-8-10-2
HZY6-40114-010. F-8-20-4
HZY6-40116-000. F-8-20-5
HZY6-40151-010ZD. F-8-20-6
HZY6-40152-300. F-8-20-7
HZY6-40154-000ZC. F-8-10-5
HZY6-40155-000. F-8-10-6
HZY6-40157-000. F-8-10-7
HZY6-40201-000ZC. F-3-20-1
HZY6-40201-611ZC. F-3-20-1
HZY6-40212-020ZC. F-8-20-8
HZY6-40219-033. F-3-20-3
HZY6-41100-040ZC. F-3-10-1
HZY6-41100-050ZC. F-3-10-1
HZY6-41100-614ZC. F-3-10-1
HZY6-41100-615ZC. F-3-10-1
HZY6-41100-714ZC. F-3-10-1
HZY6-41101-020ZC. F-3-3
HZY6-41104-010. F-3-6
HZY6-41105-010. F-3-7
HZY6-41112-010. F-4-13
HZY6-41112-611. F-4-13
HZY6-41131-000. F-4-16
HZY6-41140-000. F-5-7
HZY6-41141-710. F-5-1-7
HZY6-41150-710. F-5-1-8
HZY6-41151-000. F-5-8
HZY6-41161-000. F-5-9
HZY6-41161-710. F-5-1-9
HZY6-41173-000. FOP-13-6
HZY6-41201-000ZC. F-5-10
HZY6-41201-710ZC. F-5-1-10
HZY6-41202-710. F-5-1-11
HZY6-50167-000. F-10-7
HZY6-50168-003. F-10-8
HZY6-50209-000. FOP-13-7
HZY6-56000-043. F-11-11
HZY6-56000-043. F-11-11
HZY6-56000-053. F-11-11
HZY6-56000-053. F-11-11
HZY6-56100-013. F-11-12
HZY6-56118-000. FOP-13-8
HZY6-60180-003. F-8-10-8
HZY6-60185-003. F-8-10-9
HZY6-63102-010. F-8-2
HZY6-63144-000. F-8-6
HZY6-63205-000. F-8-10-12
HZY6-63212-000. F-8-10-15
HZY6-63223-000. F-8-10-16
HZY6-63225-000. F-8-10-18
HZY6-63240-000. F-8-10-19
HZY6-63240-000. F-8-10-19
HZY6-63240-010. F-8-10-19
HZY6-63240-010. F-8-10-19
HZY6-63711-010ZC. F-8-20-9
HZY6-63716-010ZC. F-8-20-10
HZY6-63718-000. F-8-20-11
HZY6-63719-000. F-8-20-12
HZY6-82873-000. F-8-20-13
HZY6-87117-640. F-12-1
HZY6-87132-R00. F-12-3
HZY6-87132-R00. F-12-10
HZY6-87531-000. F-12-7
HZY6-87531-620. F-12-7
HZY6-89216-000. F-13-5
HZY6-90001-000. E-3-19
HZY6-90001-000. F-8-10-22
HZY6-90002-000. E-6-9
HZY6-90002-000. F-3-20-8
HZY6-90005-000. E-3-20
HZY6-90006-000. E-15-16
HZY6-90010-000. E-18-19
HZY6-90011-000. E-9-20-17
HZY6-90013-000. E-4-8
HZY6-90014-000. F-9-23
HZY6-90017-000. E-6-10
HZY6-90018-000. E-6-11
HZY6-90019-000. E-6-12
HZY6-90020-000. E-10-10
HZY6-90023-000. E-9-10-18
HZY6-90043-000. E-14-23
HZY6-90045-000. F-9-27
HZY6-90047-000. E-14-24
HZY6-90048-010. E-9-20-21
HZY6-90059-000. E-9-10-20
HZY6-90082-003. E-3-27
HZY6-90103-000. F-3-13
HZY6-90104-000. F-5-12
HZY6-90104-000. F-5-1-13
HZY6-90105-000. F-3-10-2
HZY6-90105-000. F-8-10-24
HZY6-90116-000. F-4-19
HZY6-90116-000. FOP-10-1-8
HZY6-90118-000. F-3-20-11
HZY6-90123-000. F-3-15
HZY6-90135-004. F-7-20-9
HZY6-90201-000. E-1-6
HZY6-90301-000. F-8-20-16
HZY6-90302-003. FOP-6-2-15
HZY6-90302-003. FOP-6-3-15
HZY6-90302-003. FOP-6-4-15
HZY6-90401-000. E-1-7
HZY6-90601-000. E-18-23
HZY6-90601-000. E-18-1-20
HZY6-90602-020. E-4-10-10
HZY6-90603-003. E-4-10-11
HZY6-90604-003. E-4-12
HZY6-90605-003. E-18-25
HZY6-90606-003. F-9-31
HZY6-90607-000. E-18-10-50
HZY6-90651-000. F-9-32
HZY6-90701-000. E-10-12
HZY6-90752-000. F-2-39
HZY6-90753-000. F-2-40
HZY6-90755-003. F-2-41
HZY6-91051-003. F-5-22
HZY6-91051-003. F-5-1-24
HZY6-91052-003. F-4-26
HZY6-91055-004. F-5-23
HZY6-91055-004. F-5-1-25
HZY6-91055-004. F-4-28
HZY6-91301-003. E-4-13
HZY6-91302-003. E-4-14
HZY6-91303-003. E-9-20-22
HZY6-91304-010. E-9-10-24
HZY6-91305-003. E-3-37
HZY6-91351-003. F-4-31
HZY6-91502-003. E-9-33
HZY6-91552-000. F-4-34
HZY6-91552-000. FOP-10-1-11
HZY6-91553-000. F-8-20-21
HZY9-15815-000. E-9-20-8
HZY9-17315-000. E-15-4
HZY9-30419-003. E-20-10-2
HZY9-31207-H01. E-21-2
HZY9-31226-H01. E-21-19
HZY9-31229-H01. E-21-8
HZY9-31240-003. E-21-12
HZY9-31242-H01. E-21-13
HZY9-31246-H01. E-21-14
HZY9-31251-H01. E-21-23
HZY9-38410-A01. FOP-6-2-11
HZY9-38410-A01. FOP-6-3-11
HZY9-38410-A01. FOP-6-4-11
HZY9-50381-000. F-10-15
HZY9-56115-003. F-11-15
HZY9-56115-003. F-11-15
HZY9-56115-013. F-11-15
HZY9-56115-013. F-11-15
HZY9-56120-003. F-11-20
HZY9-90017-000. E-15-18
HZY9-90652-003. E-9-10-34
HZZ0-56532-C00. F-11-26
HZZ0-56532-C00. F-11-26
HZZ3-06240-R30. FOP-8-1
HZZ3-06240-R30. FOP-8-6-1
HZZ3-06240-R40. FOP-8-4-1
HZZ3-06240-R60. FOP-8-2-1
HZZ3-06323-R10. FOP-6-1-1
HZZ3-06323-R30. FOP-6-1-1
HZZ3-06328-764. FOP-11-1
HZZ3-19277-000. F-9-14
HZZ3-24820-R11. FOP-8-13
HZZ3-24820-R21. FOP-8-2-14
HZZ3-24830-R41. FOP-8-4-11
HZZ3-32186-000. FOP-11-2
HZZ3-32346-R11. FOP-6-1-3
HZZ3-32346-R31. FOP-6-1-3
HZZ3-35100-R11. FOP-6-1-7
HZZ3-35100-R11. FOP-8-6-38
HZZ3-35340-741. FOP-12-1
HZZ3-35341-740. FOP-12-2
HZZ3-35342-740. FOP-12-3
HZZ3-35343-740. FOP-12-4
HZZ3-35344-740. FOP-12-5
HZZ3-35345-741. FOP-12-6
HZZ3-41117-000. F-4-15
HZZ3-87301-R00. F-12-4
HZZ3-87701-R00. FOP-8-6-47
HZZ3-87701-R40. FOP-8-4-18
HZZ3-87703-R01. FOP-8-2-24
HZZ3-87703-R81. FOP-8-21
HZZ3-90129-000. F-10-31
HZZ3-91252-003. F-5-26
HZZ3-91252-003. F-5-1-28
HZZ3-91253-003. F-4-29
HZZ5-06325-600. FOP-6-2
HZZ5-06325-700. FOP-6-2
HZZ5-06325-800. FOP-6-2
HZZ5-32185-600. FOP-6-4
HZZ5-32185-700. FOP-6-4
HZZ5-32185-800. FOP-6-4
HZZ5-32530-000. FOP-8-6-34
HZZ5-32545-000. FOP-6-1-4
HZZ5-32580-600. FOP-6-9
HZZ5-32580-700. FOP-6-9
HZZ5-32580-800. FOP-6-9
HZZ5-37210-013. FOP-8-6-44
HZZ5-37210-712. FOP-6-1-11
HZZ5-38414-003. FOP-6-1-14
HZZ5-50211-000. F-10-10
HZZ5-90301-M00. FOP-6-2-14
HZZ5-90301-M00. FOP-6-3-14
HZZ5-90301-M00. FOP-6-4-14
HZZ5-90501-M00. FOP-6-2-16
HZZ5-90501-M00. FOP-6-3-16
HZZ5-90501-M00. FOP-6-4-16
HZZ5-90502-M00. FOP-6-2-17
HZZ5-90502-M00. FOP-6-3-17
HZZ5-90502-M00. FOP-6-4-17

Note

Note

Note

2019 PARTS CATALOG

BFT 115A Model

OB No.002-14ZX1-OAK 1812 US

TOHATSU CORPORATION

5-4, Azusawa 3-Chome, Itabashi-Ku
Tokyo 174-0051, Japan
Tel: +81-3-3966-3117 Fax: +81-3-3966-2951
www.tohatsu.com

